

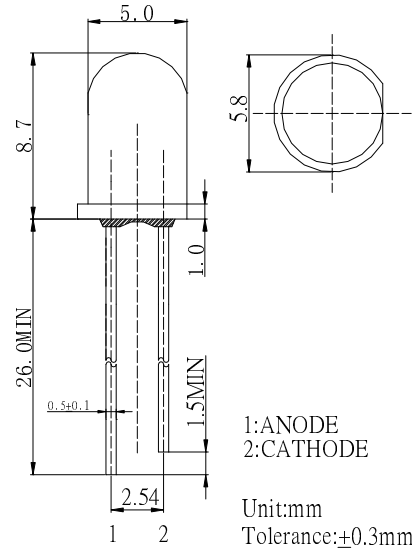
■Features

- High Luminous LEDs
- 5mm Standard Directivity
- Superior Weather-resistance
- UV Resistant Epoxy
- Long Lifetime Operation (Up to 100,000 hours)
- Water Clear Type

■Applications

- Electronic Signs And Signals
- Small Area Illuminations
- Back Lighting

■Outline Dimension



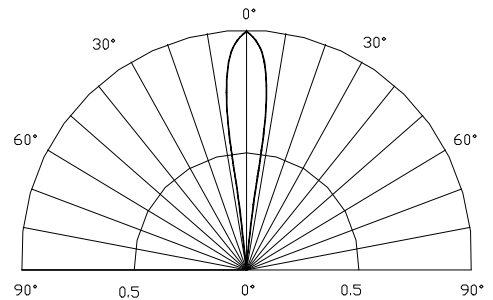
■Absolute Maximum Rating

(Ta=25°C)

Item	Symbol	Value	Unit
DC Forward Current	I_F	30	mA
Pulse Forward Current*	I_{FP}	100	mA
Reverse Voltage	V_R	5	V
Power Dissipation	P_D	108	mW
Operating Temperature	T_{opr}	-30 ~ +85	°C
Storage Temperature	T_{stg}	-40 ~ +100	°C
Lead Soldering Temperature	T_{sol}	260°C/5sec	-

*Pulse width Max.10ms Duty ratio max 1/10

■Directivity



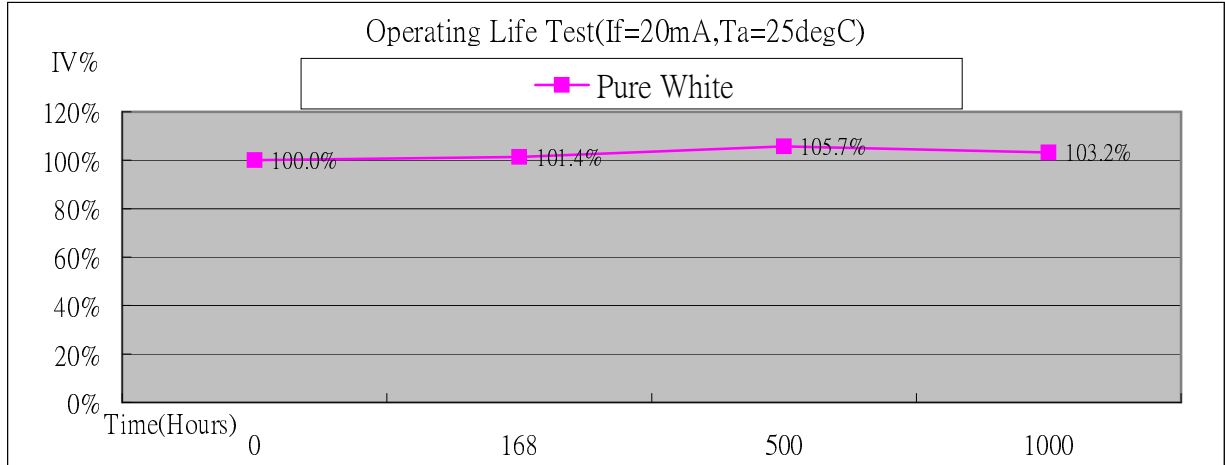
■Electrical -Optical Characteristics

(Ta=25°C)

Item	Symbol	Condition	Min.	Typ.	Max.	Unit
DC Forward Voltage	V_F	$I_F=20mA$	2.8	3.1	3.6	V
DC Reverse Current	I_R	$V_R=5V$	-	-	10	μA
Luminous Intensity	I_v	$I_F=20mA$	14400	18000	22000	mcd
Chromaticity Coordinate*	x	$I_F=20mA$	0.24	0.27	0.32	
	y	$I_F=20mA$	0.25	0.28	0.33	
50% Power Angle	$2\theta_{1/2}$	$I_F=20mA$	-	15	-	deg

*Please refer to CIE 1931 chromaticity diagram.

OPERATION LIFE TEST LUMINANCE RATE CURVE



- *Burn-in condition: 20mA
- *Projection of Statistical Average Light Output Degradation Performance for LED Technology Extrapolated from OptoSupply QA Dept. Test Data.
- *According to OptoSupply outgoing Packaged Products Specification
- *MTBF: 100,000hrs, 90% Confidence (A Failure is Any LED Which is Open, shorted or fails to Emit Light)
- *The Projected Data is Base on The Feature of LED Itself Under Normal Operation Conditions.
- *Any Improper Circuit Design or External Factors Might Cause a Different Result.