



## A84 gPV 1500 VDC Fuse 14x51 mm



### FEATURES

- 1500 VDC, 14x51 mm PV fuse-link with glass-fiber body
- Rated Current: 1-50 A
- Breaking Capacity: 10 kA @ 1500 VDC
- Time Constant: 1-3 ms
- Special design with silver plated caps for high-power PV applications
- Customizable for special application
- BH200, BH201 holders for DIN rail mounting

### APPLICATIONS

- PV combiner / junction boxes
- Inverters
- Battery Charge Controllers

### AGENCY INFORMATION

- Comply to: UL248-19, IEC 60269-6
- Approvals: UL (E490190), TUV (50482515)
- Manufactured under IATF 16949 quality system
- RoHS and REACH Compliant

### ELECTRICAL SPECIFICATIONS

Part Number						Rated Current	Ampere Code	Breaking Capacity	Cold Resistance (mΩ)	I <sup>2</sup> t (A <sup>2</sup> s)		Certifications	
Cylindrical	10/12 AWG In-terminal	8 AWG In-terminal	8,10/12 AWG In-terminal	6-10/12 AWG In-terminal	6 AWG In-terminal					Pre-Arcing	Total	UL	TUV
A841100b00	A841100b01	A841100b04	A841100b06	A841100b07	A841100b08	1 A	1100	10 kA@ 1500 VDC	682.00~1023.00	20	110	●	●
A841200b00	A841200b01	A841200b04	A841200b06	A841200b07	A841200b08	2 A	1200		247.48~371.22	40	220	●	●
A841300b00	A841300b01	A841300b04	A841300b06	A841300b07	A841300b08	3 A	1300		125.92~188.88	60	330	●	●
A841400b00	A841400b01	A841400b04	A841400b06	A841400b07	A841400b08	4 A	1400		71.58~107.36	80	440	●	●
A841500b00	A841500b01	A841500b04	A841500b06	A841500b07	A841500b08	5 A	1500		44.37~66.55	100	550	●	●
A841600b00	A841600b01	A841600b04	A841600b06	A841600b07	A841600b08	6 A	1600		37.92~56.88	120	660	●	●
A841800b00	A841800b01	A841800b04	A841800b06	A841800b07	A841800b08	8 A	1800		26.30~39.44	160	880	●	●
A842100b00	A842100b01	A842100b04	A842100b06	A842100b07	A842100b08	10 A	2100		12.34~18.51	200	1100	●	●
A842120b00	A842120b01	A842120b04	A842120b06	A842120b07	A842120b08	12 A	2120		10.22~15.34	240	1320	●	●
A842150b00	A842150b01	A842150b04	A842150b06	A842150b07	A842150b08	15 A	2150		6.83~10.25	300	1650	●	●
A842160b00	A842160b01	A842160b04	A842160b06	A842160b07	A842160b08	16 A	2160		6.83~10.25	320	1760	●	●
A842200b00	A842200b01	A842200b04	A842200b06	A842200b07	A842200b08	20 A	2200		5.07~7.61	400	2200	●	●
A842250b00	A842250b01	A842250b04	A842250b06	A842250b07	A842250b08	25 A	2250		3.42~5.13	500	2750	●	●
A842300b00	A842300b01	A842300b04	A842300b06	A842300b07	A842300b08	30 A	2300		2.85~4.27	600	3300	●	●
A842320b00	A842320b01	A842320b04	A842320b06	A842320b07	A842320b08	32 A	2320		2.53~3.79	640	3520	●	●
-	A842350b01	A842350b04	A842350b06	A842350b07	A842350b08	35 A	2350		2.40~3.60	700	3850	●	●
-	-	A842400b04	A842400b06	A842400b07	A842400b08	40 A	2400		2.03~3.04	800	4400	●	●
-	-	A842450b04	A842450b06	A842450b07	A842450b08	45 A	2450		1.76~2.65	900	4950	●	●
-	-	A842500b04	A842500b06	A842500b07	A842500b08	50 A	2500		1.55~2.32	1000	5500	●	●

Part Number			Rated Current	Ampere Code	Breaking Capacity	Cold Resistance (mΩ)	I <sup>2</sup> t (A <sup>2</sup> s)		Dissipation (W)		Certifications
Level Mount	PCB Mount	Central Mount					Pre-Arcing	Total	0.8 I <sub>n</sub>	1.0 I <sub>n</sub>	UL
A841100b03	A841100b05	A841100b09	1 A	1100	10 kA@ 1500 VDC	682.00~1023.00	20	110	0.1	0.1	○
A841200b03	A841200b05	A841200b09	2 A	1200		247.48~371.22	40	220	0.2	0.3	○
A841300b03	A841300b05	A841300b09	3 A	1300		125.92~188.88	60	330	0.3	0.4	○
A841400b03	A841400b05	A841400b09	4 A	1400		71.57~107.37	80	440	0.4	0.6	○
A841500b03	A841500b05	A841500b09	5 A	1500		44.37~66.57	100	550	0.5	0.7	○
A841600b03	A841600b05	A841600b09	6 A	1600		37.92~56.88	120	660	0.6	0.9	○
A841800b03	A841800b05	A841800b09	8 A	1800		26.29~39.45	160	880	0.9	1.1	○
A842100b03	A842100b05	A842100b09	10 A	2100		12.34~18.51	200	1100	1.1	1.4	○
A842120b03	A842120b05	A842120b09	12 A	2120		10.22~15.34	240	1320	1.3	1.7	○
A842150b03	A842150b05	A842150b09	15 A	2150		6.83~10.25	300	1650	1.6	2.2	○
A842160b03	A842160b05	A842160b09	16 A	2160		6.83~10.25	320	1760	1.7	2.4	○
A842200b03	A842200b05	A842200b09	20 A	2200		5.00~7.50	400	2200	2.1	2.9	○
A842250b03	A842250b05	A842250b09	25 A	2250		3.42~5.13	500	2750	2.7	3.6	○
A842300b03	A842300b05	A842300b09	30 A	2300		2.85~4.28	600	3300	3.2	4.3	○
A842320b03	A842320b05	A842320b09	32 A	2320		2.52~3.79	640	3520	3.4	4.6	○
A842350b03	A842350b05	A842350b09	35 A	2350		2.40~3.60	700	3850	3.7	5	○
A842400b03	A842400b05	A842400b09	40 A	2400		2.02~3.04	800	4400	4.3	5.7	○
A842450b03	A842450b05	A842450b09	45 A	2450		1.76~2.65	900	4950	4.8	6.5	○
A842500b03	A842500b05	A842500b09	50 A	2500		1.54~2.32	1000	5500	5.3	7.2	○

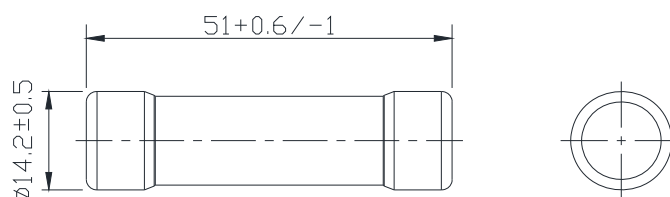
Note: (1) Typical pre-arcing I<sup>2</sup>t measured at 10\*I<sub>n</sub> current

### TIME VS CURRENT CHARACTERISTIC

Standard	UL			IEC		
Rated Current	100 %	135 %	200 %	100 %	113 %	145 %
1-50 A	Temperature Stabilization	<1 h	<4 min	Temperature Stabilization	>1 h	<1 h

### DIMENSIONS (mm)

**A84xxxxb00**

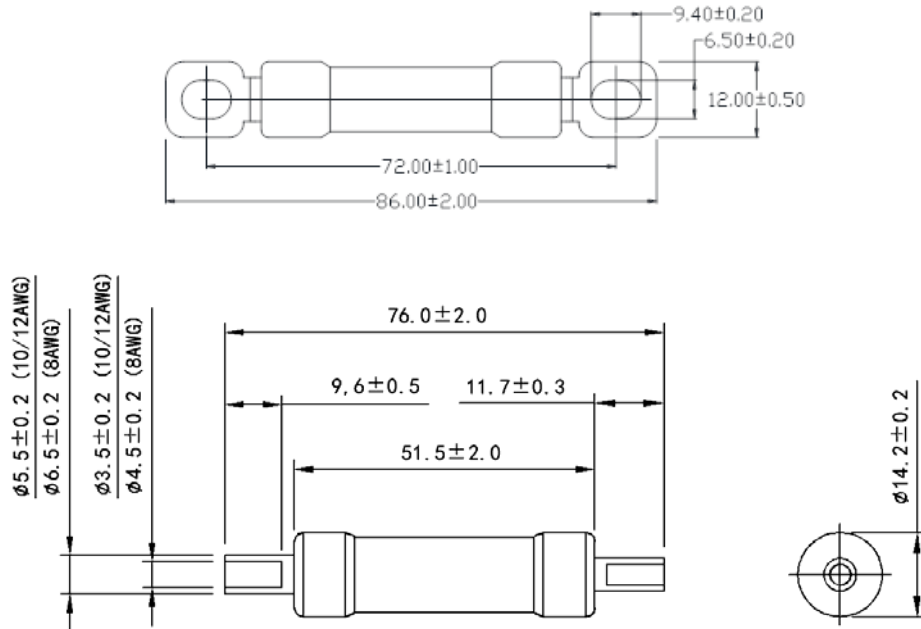


DIMENSIONS (mm)

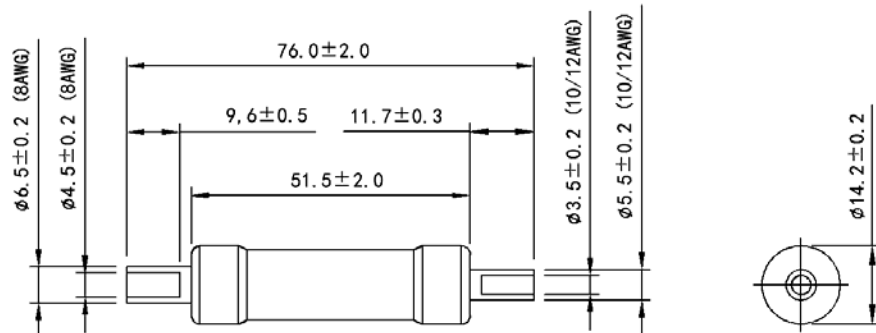
**A84xxxxb03**



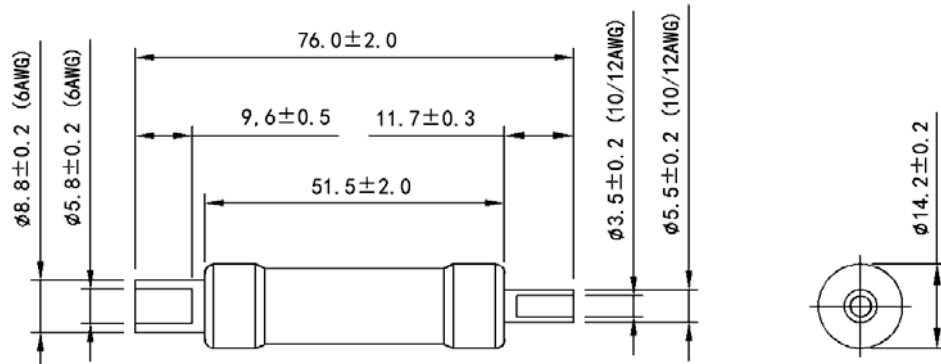
**A84xxxxb01**  
**A84xxxxb04**



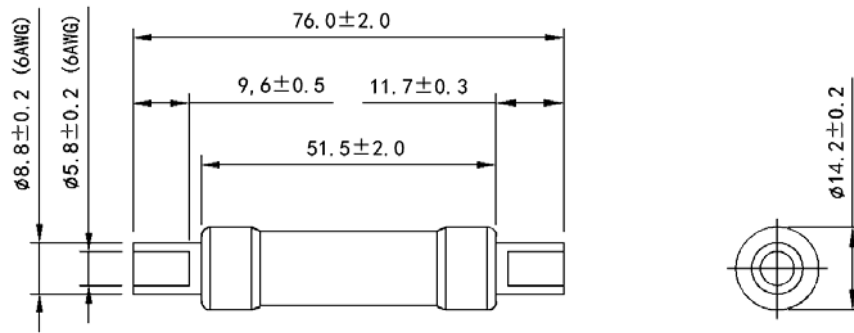
**A84xxxxb06**



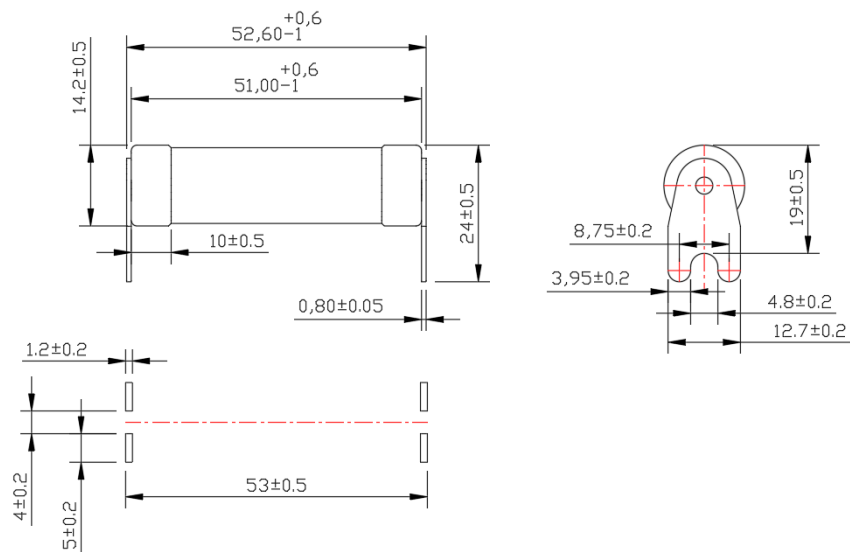
**A84xxxxb07**



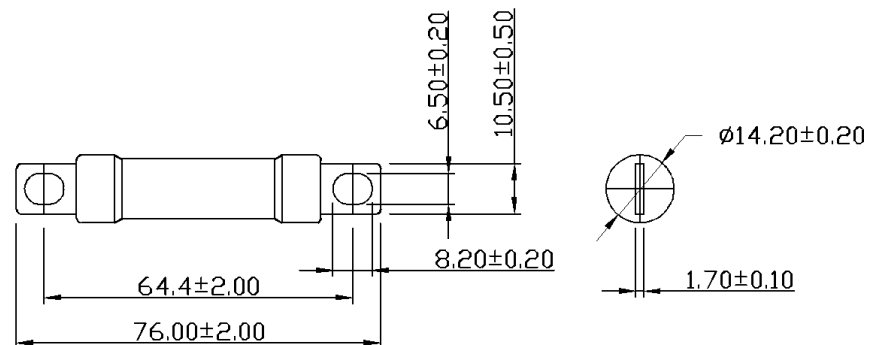
**A84xxxxb08**



**A84xxxxb05**

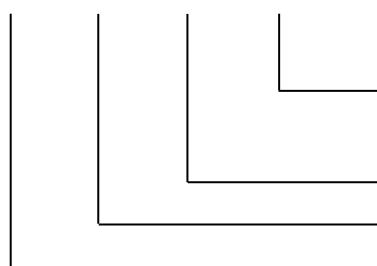


**A84xxxxb09**



**PART NUMBERING SYSTEM**

A84    2500    b    00



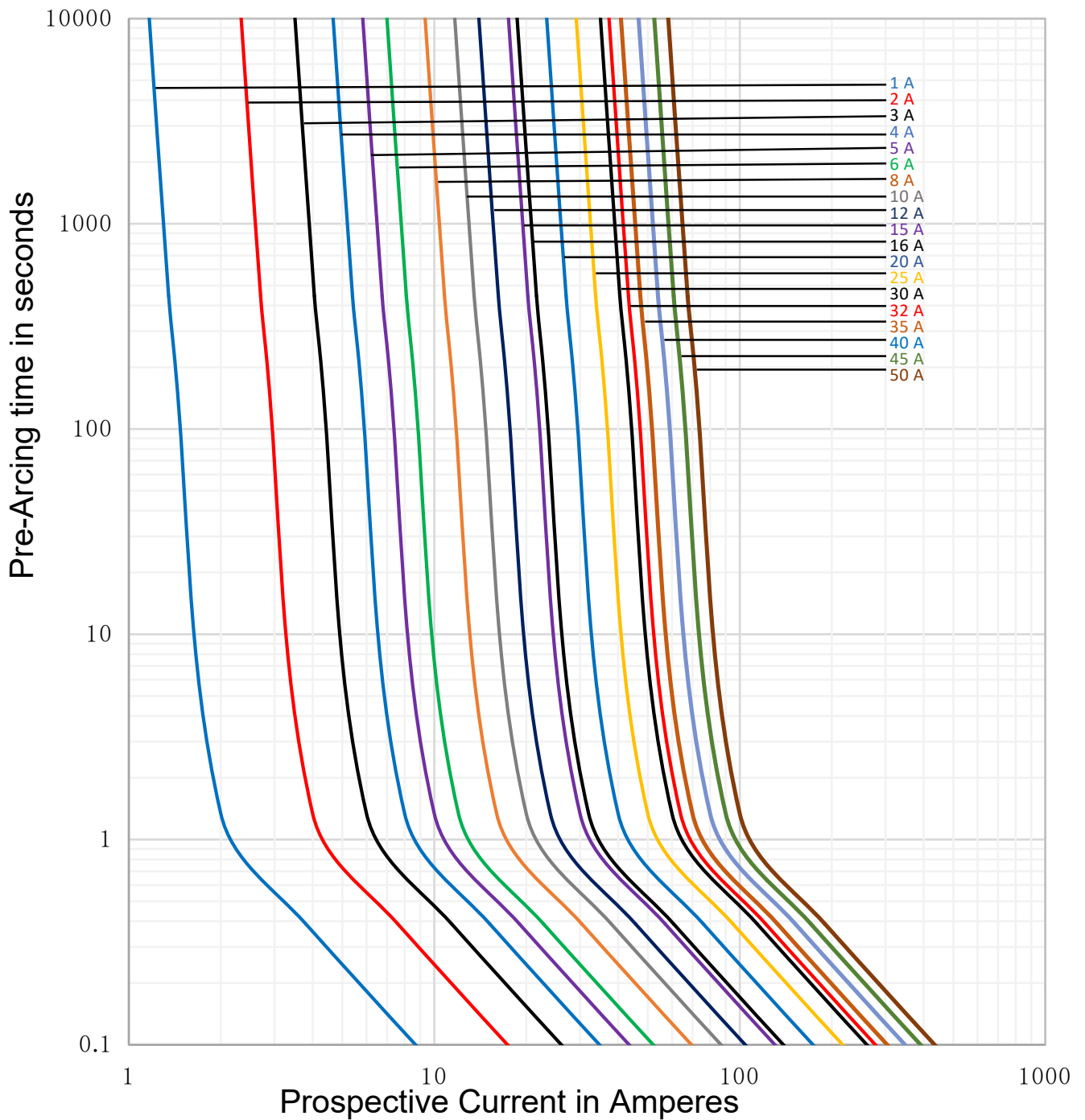
Supplementary Code: 00: Cylindrical, 01: 10/12 AWG In-terminal, 04: 8 AWG In-terminal, 06: 8,10/12AWG In-terminal, 07: 6-10/12AWG In-terminal, 08: 6AWG In-terminal, 03: Level Mount, 05: PCB Mount, 09: Central Mount.

Rated Voltage: b: 1500 V

Ampere Code: 50 A (see ampere code column of electrical specifications)

Product Series: A84

Time Current Curve (reference)



WEB RESOURCES

Download the latest technical documents: [www.adlerelectric.com](http://www.adlerelectric.com). Specifications are subject to change without notice.