



ARC and AMC 10x38 mm Fuse



FEATURES:

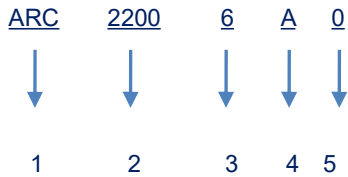
- Fast acting (aR) fuses are used for the protection of cables against short-circuits. Time-Lag (aM) fuses are for protection of motors.
- General purpose fuse-links for the protection of semiconductor devices
- Ref. to UL 248-13; IEC 60269-4; GBT 13539.4

ELECTRICAL SPECIFICATIONS

Part Number							Rated Current	Ampere Code	Rated Voltage	Breaking Capacity	Certification			
Cartridge	Level	Level1	Twins Level	Central	PCB	PCB1					cURus	TUV		
ARC05006A0	ARC05006A1	ARC05006A2	ARC05006A3	ARC05006A4	ARC05006A5	ARC05006A6	0.5 A	500	600 VAC	100 kA@ 600 VAC	●	●		
ARC11006A0	ARC11006A1	ARC11006A2	ARC11006A3	ARC11006A4	ARC11006A5	ARC11006A6	1 A	1100			●	●		
ARC12006A0	ARC12006A1	ARC12006A2	ARC12006A3	ARC12006A4	ARC12006A5	ARC12006A6	2 A	1200			●	●		
ARC14006A0	ARC14006A1	ARC14006A2	ARC14006A3	ARC14006A4	ARC14006A5	ARC14006A6	4 A	1400			●	●		
ARC16006A0	ARC16006A1	ARC16006A2	ARC16006A3	ARC16006A4	ARC16006A5	ARC16006A6	6 A	1600			●	●		
ARC18006A0	ARC18006A1	ARC18006A2	ARC18006A3	ARC18006A4	ARC18006A5	ARC18006A6	8 A	1800			●	●		
ARC21006A0	ARC21006A1	ARC21006A2	ARC21006A3	ARC21006A4	ARC21006A5	ARC21006A6	10 A	2100			●	●		
ARC21206A0	ARC21206A1	ARC21206A2	ARC21206A3	ARC21206A4	ARC21206A5	ARC21206A6	12 A	2120			●	●		
ARC21606A0	ARC21606A1	ARC21606A2	ARC21606A3	ARC21606A4	ARC21606A5	ARC21606A6	16 A	2160			●	●		
ARC22006A0	ARC22006A1	ARC22006A2	ARC22006A3	ARC22006A4	ARC22006A5	ARC22006A6	20 A	2200			●	●		
ARC22506A0	ARC22506A1	ARC22506A2	ARC22506A3	ARC22506A4	ARC22506A5	ARC22506A6	25 A	2250			●	●		
ARC23206A0	ARC23206A1	ARC23206A2	ARC23206A3	ARC23206A4	ARC23206A5	ARC23206A6	32 A	2320			●	●		
ARC24006A0	ARC24006A1	ARC24006A2	ARC24006A3	ARC24006A4	ARC24006A5	ARC24006A6	40 A	2400			600 VAC	50 kA@ 600 VAC	●	●
ARC25006A0	ARC25006A1	ARC25006A2	ARC25006A3	ARC25006A4	ARC25006A5	ARC25006A6	50 A	2500					●	●
ARC26306A0	ARC26306A1	ARC26306A2	ARC26306A3	ARC26306A4	ARC26306A5	ARC26306A6	63 A	2630	●	●				

Part Number							Rated Current	Ampere Code	Rated Voltage	Breaking Capacity	Certification			
Cartridge	Level	Level1	Twins Level	Central	PCB	PCB1					cURus	TUV		
AMC05006A0	AMC05006A1	AMC05006A2	AMC05006A3	AMC05006A4	AMC05006A5	AMC05006A6	0.5 A	500	600 VAC	100 kA@ 600 VAC	●	●		
AMC11006A0	AMC11006A1	AMC11006A2	AMC11006A3	AMC11006A4	AMC11006A5	AMC11006A6	1 A	1100			●	●		
AMC12006A0	AMC12006A1	AMC12006A2	AMC12006A3	AMC12006A4	AMC12006A5	AMC12006A6	2 A	1200			●	●		
AMC14006A0	AMC14006A1	AMC14006A2	AMC14006A3	AMC14006A4	AMC14006A5	AMC14006A6	4 A	1400			●	●		
AMC16006A0	AMC16006A1	AMC16006A2	AMC16006A3	AMC16006A4	AMC16006A5	AMC16006A6	6 A	1600			●	●		
AMC18006A0	AMC18006A1	AMC18006A2	AMC18006A3	AMC18006A4	AMC18006A5	AMC18006A6	8 A	1800			●	●		
AMC21006A0	AMC21006A1	AMC21006A2	AMC21006A3	AMC21006A4	AMC21006A5	AMC21006A6	10 A	2100			●	●		
AMC21206A0	AMC21206A1	AMC21206A2	AMC21206A3	AMC21206A4	AMC21206A5	AMC21206A6	12 A	2120			●	●		
AMC21606A0	AMC21606A1	AMC21606A2	AMC21606A3	AMC21606A4	AMC21606A5	AMC21606A6	16 A	2160			●	●		
AMC22006A0	AMC22006A1	AMC22006A2	AMC22006A3	AMC22006A4	AMC22006A5	AMC22006A6	20 A	2200			●	●		
AMC22506A0	AMC22506A1	AMC22506A2	AMC22506A3	AMC22506A4	AMC22506A5	AMC22506A6	25 A	2250			●	●		
AMC23206A0	AMC23206A1	AMC23206A2	AMC23206A3	AMC23206A4	AMC23206A5	AMC23206A6	32 A	2320			●	●		
AMC24006A0	AMC24006A1	AMC24006A2	AMC24006A3	AMC24006A4	AMC24006A5	AMC24006A6	40 A	2400			600 VAC	50 kA@ 600 VAC	●	●
AMC25006A0	AMC25006A1	AMC25006A2	AMC25006A3	AMC25006A4	AMC25006A5	AMC25006A6	50 A	2500					●	●
AMC26306A0	AMC26306A1	AMC26306A2	AMC26306A3	AMC26306A4	AMC26306A5	AMC26306A6	63 A	2630	●	●				

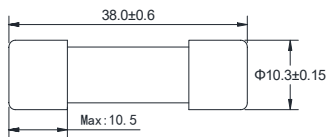
PART NUMBER SYSTEM



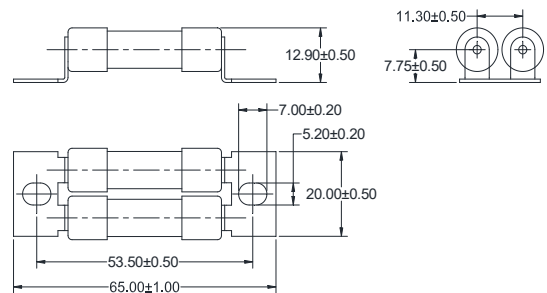
- 1Product Series ARC: aR Type; AMC: aM Type
- 2 Ampere Code 20 A (see Ampere code column of electrical specifications)
- 3 Rated Voltage..... 6: 600 VAC
- 4Size A: 10x38 mm
- 5Supplementary Code 0: Cartridge; 1: Level Mount; 2: Level1 Mount; 3: Twins Level Mount; 4: Central Mount; 5: PCB Mount; 6: Third PCB Mount

DIMENSIONS (mm)

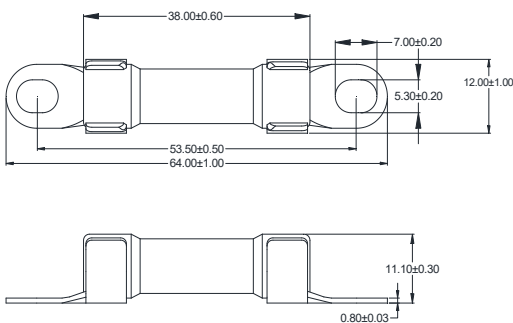
ARCxxx6A0&AMCxxx6A0



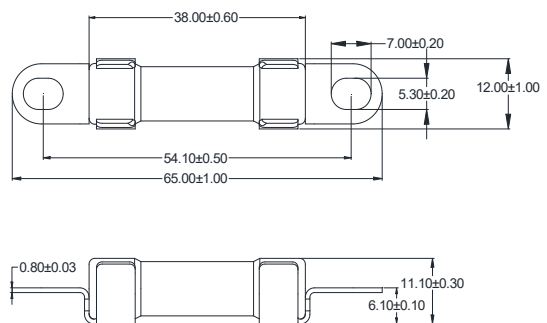
ARCxxx6A3&AMCxxx6A3



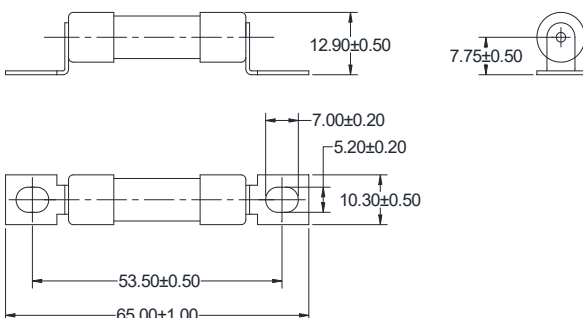
ARCxxx6A1&AMCxxx6A1



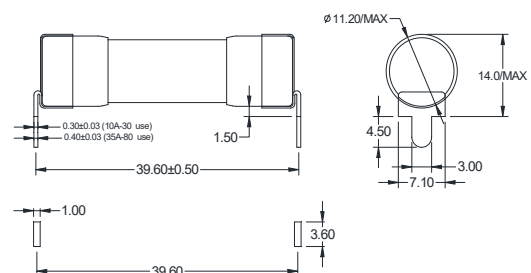
ARCxxx6A4&AMCxxx6A4



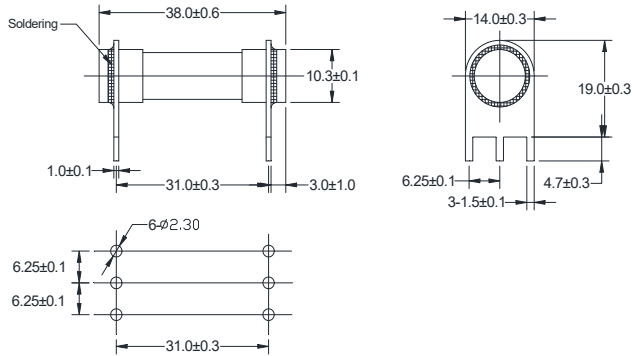
ARCxxx6A2&AMCxxx6A2



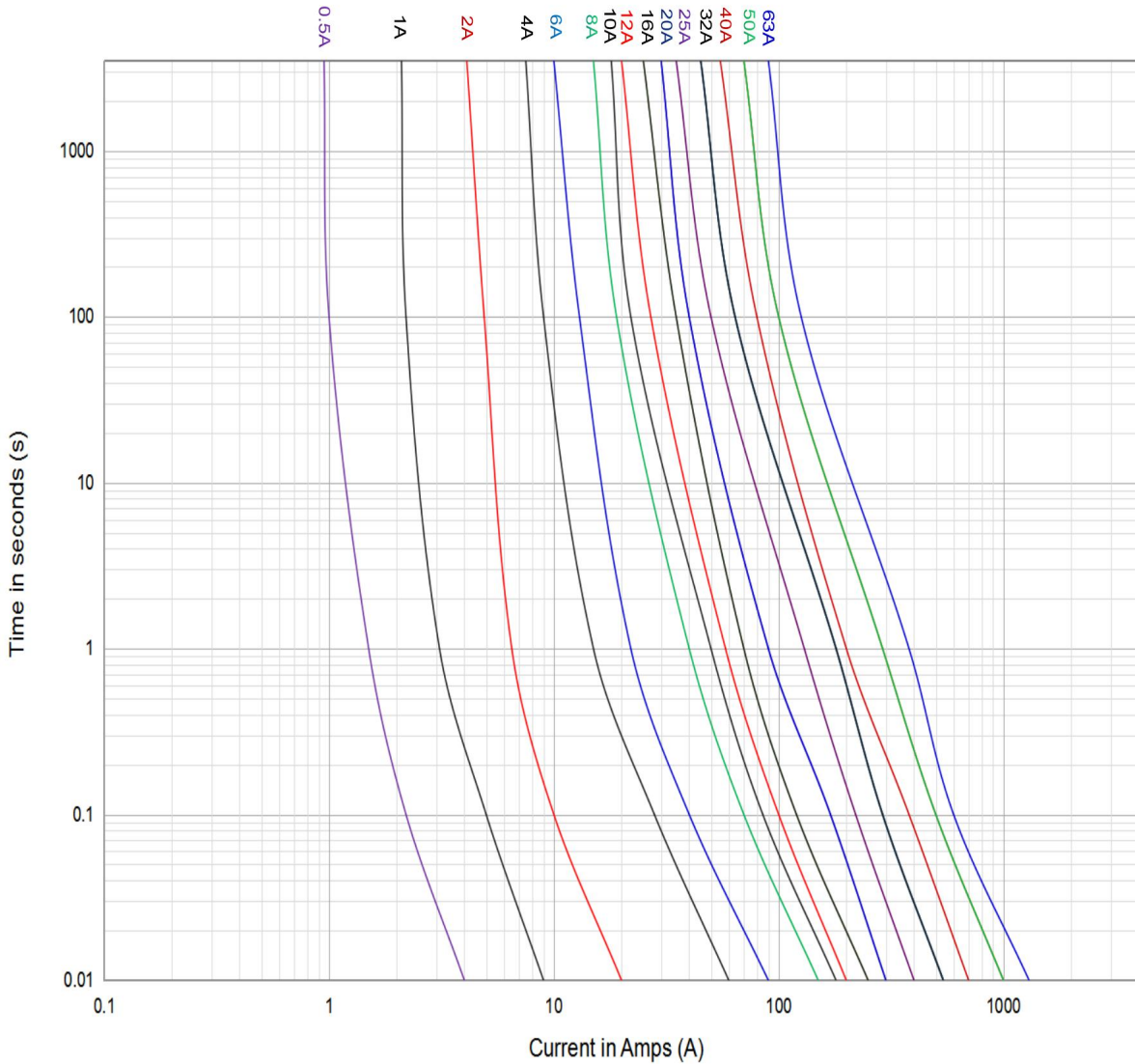
ARCxxx6A5&AMCxxx6A5



ARCxxxx6A6&AMCxxxx6A6

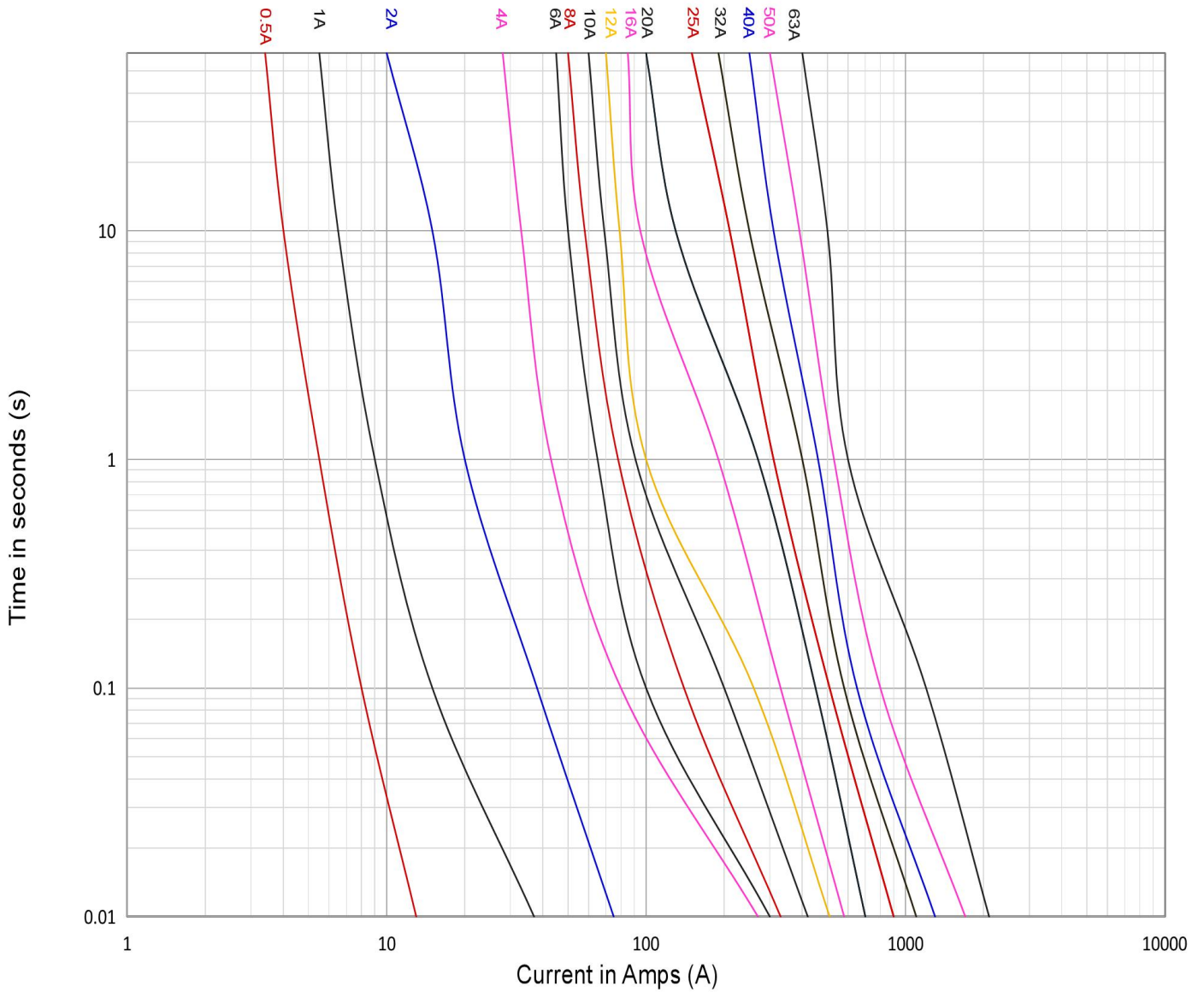


TIME CURRENT CURVE: ARC

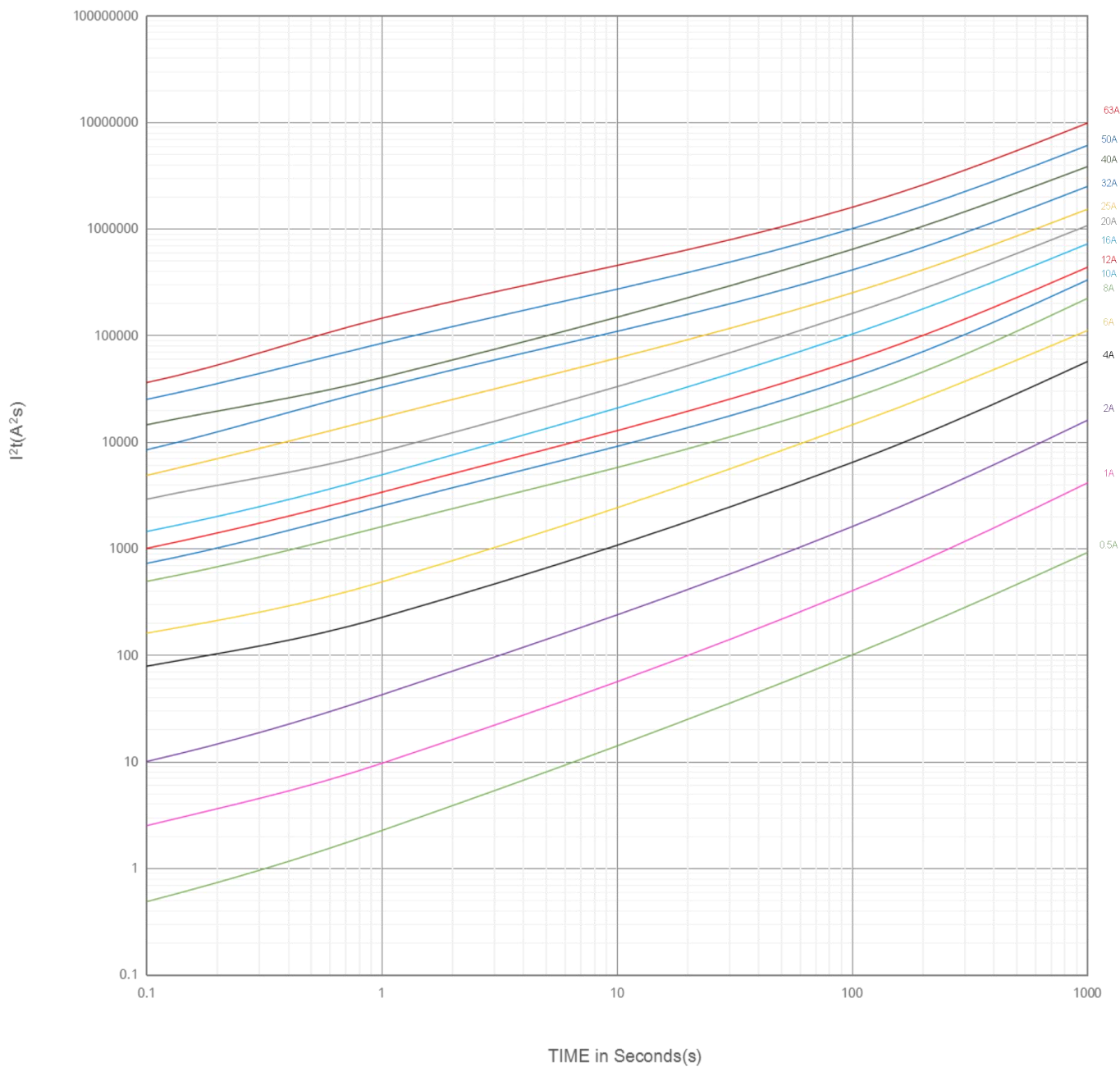


TIME CURRENT CURVE: AMC

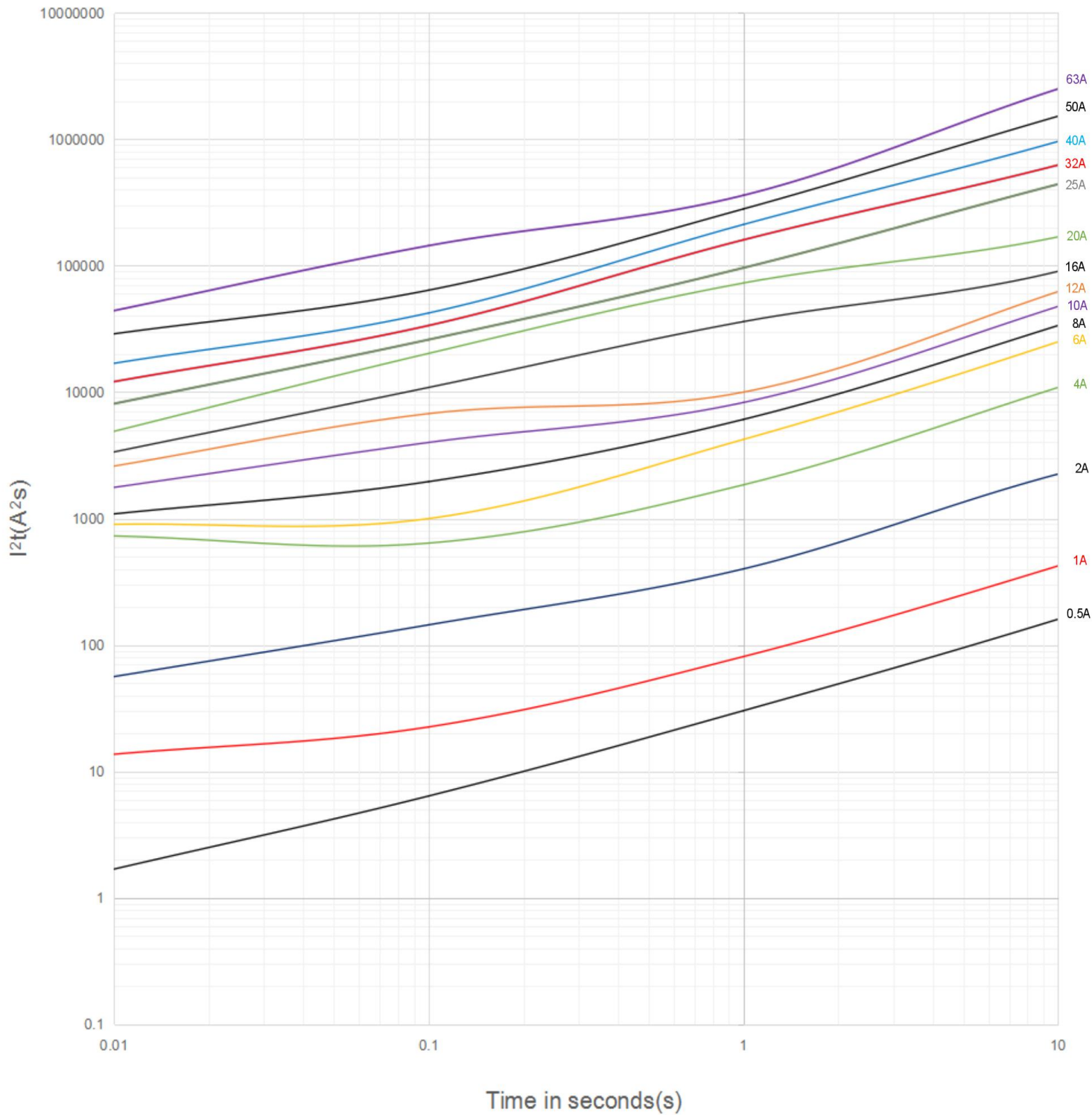
aM Average Current Curve (I-T Curve)



I²T-CURVE: ARC



I²T-T CURVE: AMC



TEMPERATURE DERATING CURVE

