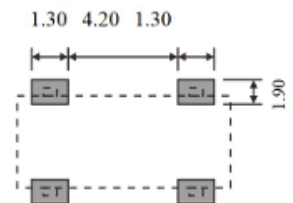
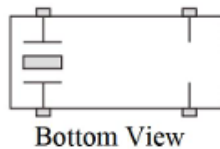
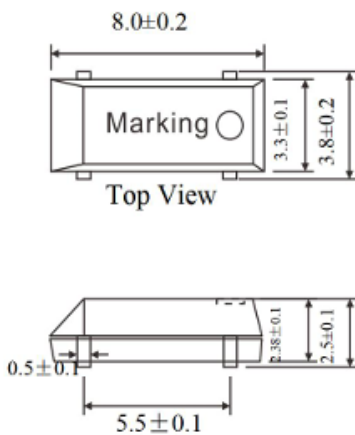


Quartz Crystal Units

Specifications:

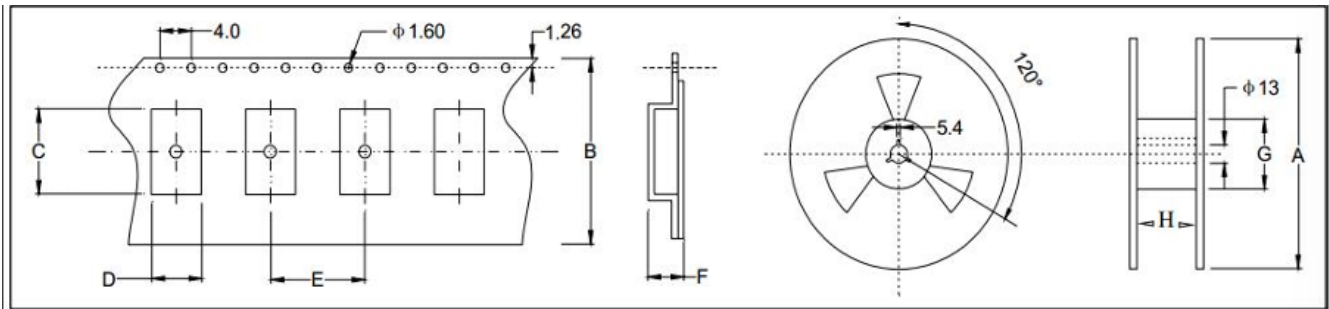
Parameter	Symbol	Min.	Typ.	Max.	Unit
Oscillation mode		Fundamental			
Cutting mode		X+2°			
Nominal frequency	f_nom	-	32.768	-	KHz
Frequency tolerance at 25°C	f_tol	-20	-	20	$\times 10^{-6}$
Stability over temperature	f_term	-	-	-0.04	$\times 10^{-6}/^{\circ}\text{C}^2$
Load capacitance	CL	-	12.5	-	pF
Equivalent Series Resistance	ESR	-	-	50	Ω
Shunt capacitance	C0	-	-	2	pF
Level of drive	DL	-	0.1	0.5	μW
Operating temperature	T_use	-40	-	85	$^{\circ}\text{C}$
Storage temperature	T_stg	-55	-	125	$^{\circ}\text{C}$
Frequency aging	f_age	-5	-	5	$\times 10^{-6}/\text{year}$

Dimensions:



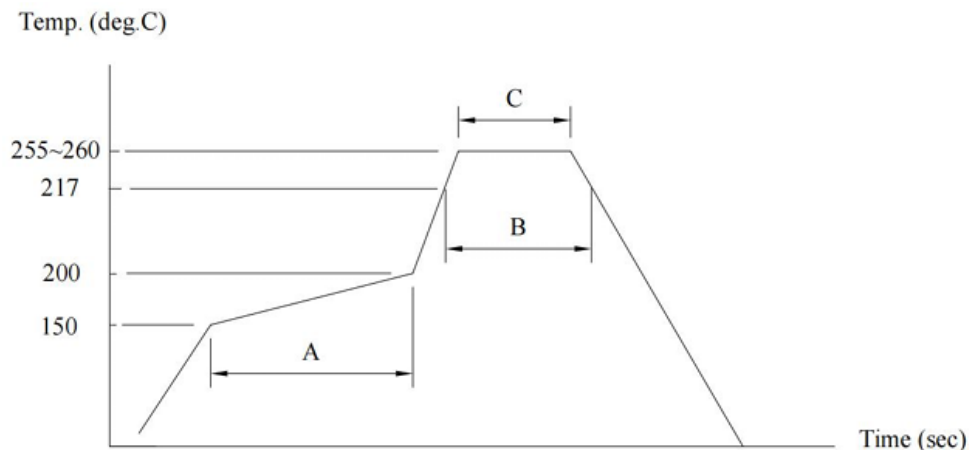
Recommended soldering Pattern

Taping specification:



Size	A	B	C	D	E	F	G	H
SMD-8038	330 \pm 2.0	16.0 \pm 0.3	8.35 \pm 0.15	4.00 \pm 0.1	8.0 \pm 0.1	2.70 \pm 0.1	100 \pm 1.0	16.5 \pm 0.5

Reflow profile



- (A)→Preheating area : 150~200°C, 60~120sec.
- (B)→Heating area : 217°C, 60~150sec.
- (C)→Peak temperature : 255~260°C, 30sec. Max.
- Ramp-up rate (217→260°C) : 3°C/sec. Max.
- Ramp-down rate (260→217°C) : 6°C/sec. Max.
- Time 25°C→260°C : 480sec. Max.
- Moisture Sensitivity Level : Levell

Disclaimer

Akyga passive reserves the right to make changes without notice to any product specification herein, to make corrections, modifications, enhancements or other changes. Akyga passive or anyone on its behalf assumes no responsibility or liability for any errors or inaccuracies. Data sheet specifications and its information contained are intended to provide a product description only. "Typical" parameters which may be included on Akyga passive data sheets and/ or specifications can and do vary in different applications and actual performance may vary over time. Akyga passive does not assume any liability arising out of the application or use of any product or circuit. Akyga passive products are not designed, intended or authorized for use in medical, life-saving implant or other applications intended for life-sustaining or other related applications where a failure or malfunction of component or circuitry may directly or indirectly cause injury or threaten a life without expressed written approval of Akyga passive. Customers using or selling Akyga passive components for use in such applications do so at their own risk and shall agree to fully indemnify Akyga passive and its subsidiaries harmless against all claims, damages and expenditures.