

Alkaline Battery Zn-MnO₂

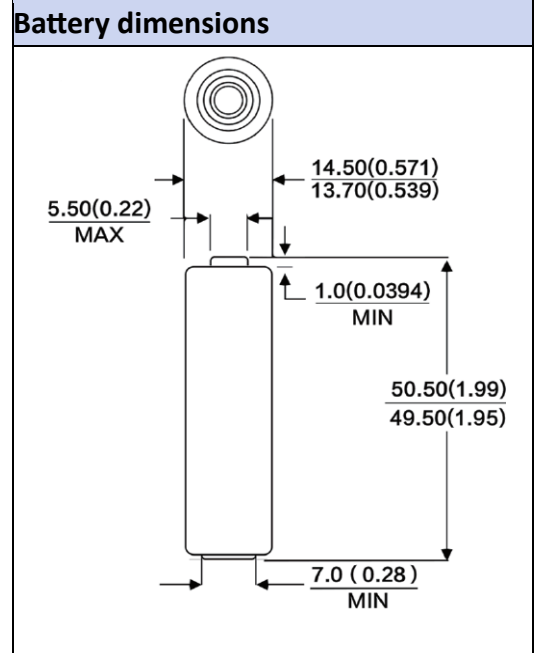
Primary characteristics		
Parameter	Value	Unit
Nominal voltage	1.5	V
Rated capacity	3050	mAh

Scope

The purpose of this product specification is to provide technical information for the alkaline Zn-MnO₂ battery AA LR6.

The test shall be conducted in strict accordance with the method specified in this specification.

If you have any objection to the test items or test methods, please contact Akyga Battery.



Specification table

Parameter	Value	Unit
Battery model	AA LR6	
Nominal voltage	1.5	V
Nominal capacity	3050	mAh
Electrochemical system	Zinc Powder, KOH, Electrolyte Manganese Dioxide No added mercury, cadmium and lead	
Operating temperature	-20/+60	°C
Average weight	23	g

Notes:

Nominal capacity test conditions: 25mA resistive load, 24h/d, end voltage: 0.9V, operating temperature 20°C±2°C

Shelf Life: 10 years (Temperature 20°C ±2°C, relative humidity 55±20%)

Electrical Performance:

Testing Conditions: Temperature: 20°C ±2°C

Load resistance (±0.5%) 3.9Ω

Testing time: 0.3 seconds

	OVC [V]	Load voltage [V]	Accepted Levels
New battery (within 30 days of delivery)	≥1.58	≥1.40	MIL-STD105E, II, AQL=0.4
Storage after 12 months under the normal temperature	≥1.56	≥1.35	

Identification

The contents printed on the label:

Model: AA LR6

Registered Trademark: Akyga Battery

Nominal Voltage: 1.5V

Battery Poloidal: "+" and "-"

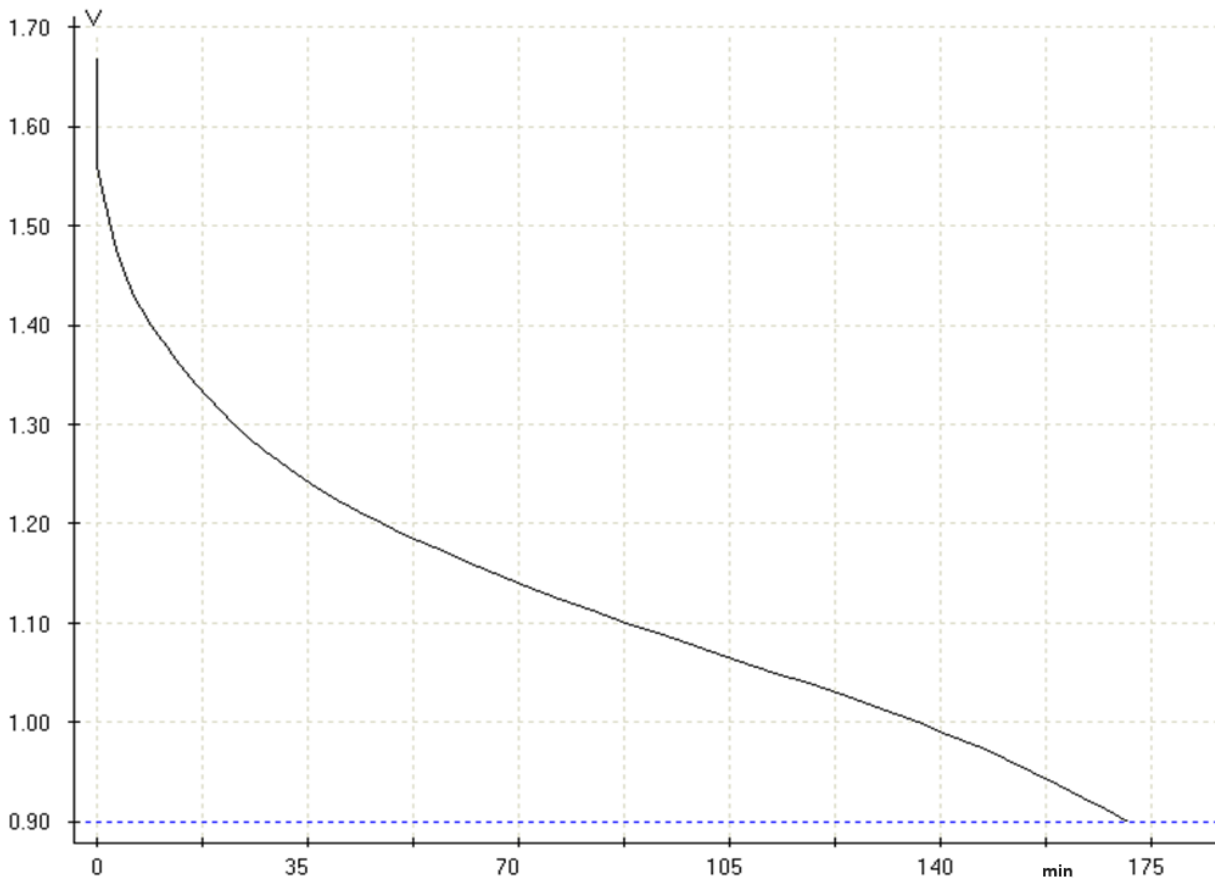
Warning words: Install and use correctly. Do not recharge, disassemble, heat and short-circuit

Discharge Performance

	Discharge conditions			New battery discharge levels	Minimum Average Duration		
	Load	Daily period	End voltage		New battery	With 20°C±2°C storage after 12 months	Applications
IEC IETMS	3.9Ω	1h/d	0.8V	7.8h	7.5h	7.2h	motor/toy
	3.9Ω	4min/h 8h/d	0.9V	430min	400min	380min	torch
	250mA	1h/d	0.9V	8.2h	7.7h	7.4h	CD/recreational machines
	100mA	1h/d	0.9V	24.0h	23.0h	22.0h	Digital Audio
	50mA	1h/8h 24h/d	1.0V	48.0h	47.0h	46.0h	Radio / clock / remote control
	1500mW/2s	10T/h	1.05V	75min	70min	60min	Digital camera
	650mW/28						
3.9Ω	24h	0.9V	400min	380min	360min	Discharge test	

Testing Conditions: Temperature: 20°C ±2°C
Relative Humidity: RH55+20/-40% RH

Discharge characteristic



Discharge characteristic test conditions: 500mA resistive load, 24h/d, end voltage: 0.9V, operating temperature 20°C±2°C

Important notes

Keep away from source of fire and/or heat.

Do not recharge the alkaline batteries. May leak or explode if charged.

Do not disassemble battery and/or battery pack.

Remove batteries from device when it is not in use. Over discharge may destroy the appliance

Do not connect the positive and negative pole directly using conductive metal; avoid short circuit.

Do not put the battery into water or damp it.

Do not cut the battery.

Do not strike or needle the battery.

Charge the battery using specified chargers.

Do not solder the battery directly.

Observe the correct polarity (+/-).

Do not use the battery in un-specified application.

Do not mix the battery in usage with other types of battery.

Read the instruction manual carefully before use.

Akyga Battery reserves the right to make changes without notice to any product specification herein, to make corrections, modifications, enhancements or other changes. Akyga Battery or anyone on its behalf assumes no responsibility or liability for any errors or inaccuracies. Data sheet specifications and its information contained are intended to provide a product description only. "Typical" parameters which may be included on Akyga Battery data sheets and/ or specifications can and do vary in different applications and actual performance may vary over time. Akyga Battery does not assume any liability arising out of the application or use of any product or circuit. Akyga Battery products are not designed, intended or authorized for use in medical, life-saving implant or other applications intended for life-sustaining or other related applications where a failure or malfunction of component or circuitry may directly or indirectly cause injury or threaten a life without expressed written approval of Akyga Battery. Customers using or selling Akyga Battery components for use in such applications do so at their own risk and shall agree to fully indemnify Akyga Battery and its subsidiaries harmless against all claims, damages and expenditures.