

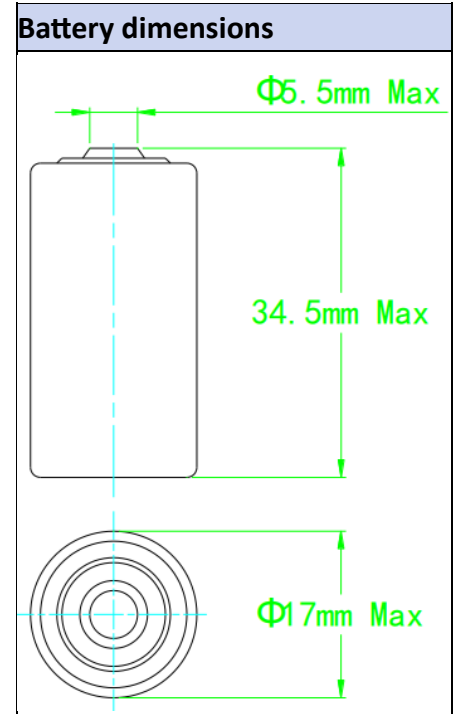
Primary Lithium Battery Li-MnO₂

Primary characteristics		
Parameter	Value	Unit
Nominal voltage	3.0	V
Rated capacity	1500	mAh

Scope

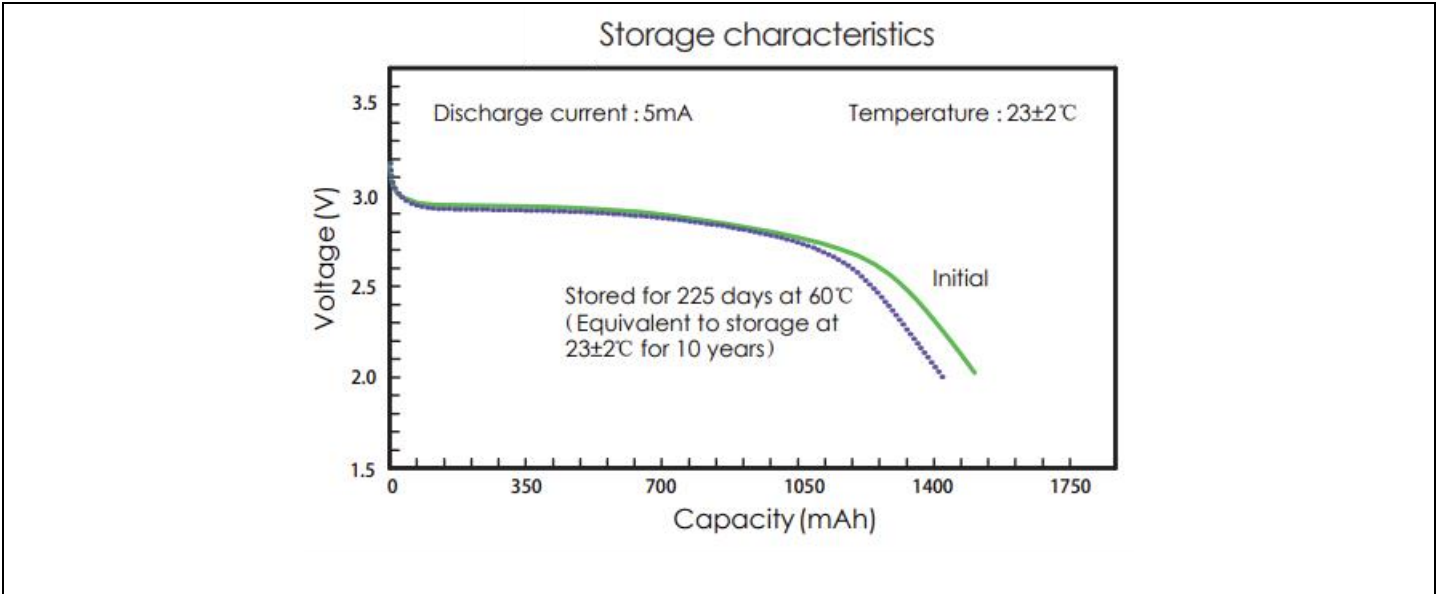
The purpose of this product specification is to provide technical information for the lithium Li-MnO₂ battery CR123 HT.

The test shall be conducted in strict accordance with the method specified in this specification. If you have any objection to the test items or test methods, please contact Akyga battery.

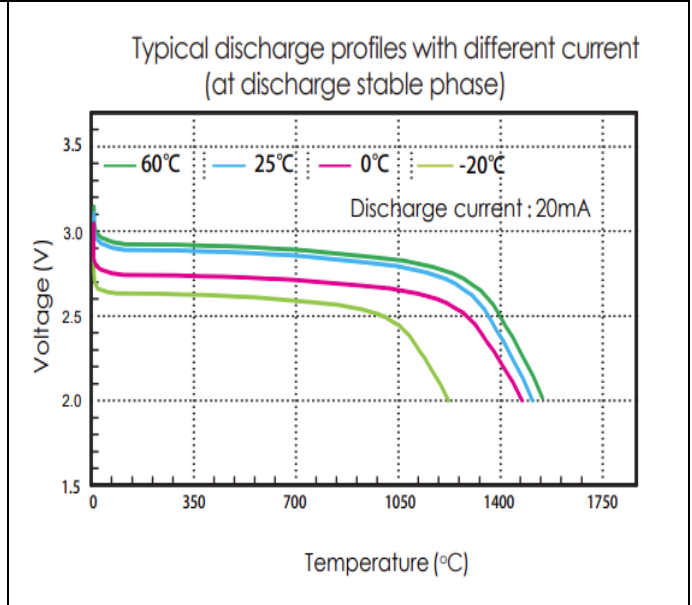
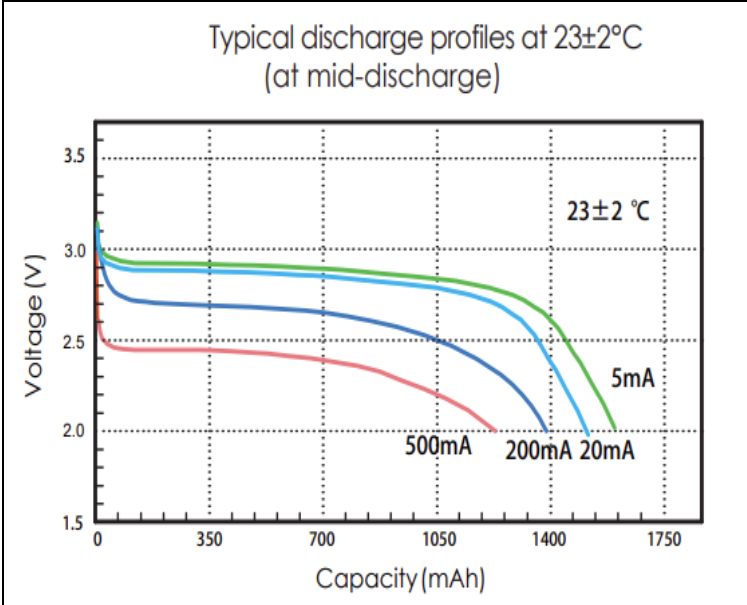


Specification table		
Parameter	Value	Unit
Battery model	CR123A HT	
Nominal voltage	3.0	V
Nominal capacity	1500	mAh
Maximum continuous current (At +25°C, 2.0V cut-off)	1500	mA
Maximum pulse discharge current	3000	mA
Operating temperature	-40/+85	°C
Average weight	20	g
Wire length		mm
Notes:		

Storage characteristics



Discharge characteristic Voltage vs temperature



Key Features

- High and stable operating voltage
- Low self-discharge rate (less than 1% after 1-year storage at 25°C)
- Stainless steel container
- Semi-Hermetic sealing
- Non-flammable electrolyte
- Spiral type
- CE, SGS recognized ISO9001 approved

Main Applications

- Security System
- Smart Metering
- RFID and Tracking System
- Wireless Transmitting
- Smart Home Devices
- Military Devices

Warning

- Do Not Short Circuit
- Do Not Recharge
- Do Not Puncture
- Do Not Crush
- Do Not Dismantle
- Do Not Incinerate
- Do Not Mix New and Used Batteries
- Do Not Heat Above 100°C

Storage

- The batteries should be stored at $\leq +30^{\circ}\text{C}$ and $\leq 75\% \text{RH}$
- The batteries should not be stored next to heat sources or in direct sunlight. The storage area should be clean, cool, dry, ventilated and weatherproof.
- The height to which batteries may be stacked is clearly dependent on the strength of the packing. As a general rule, this height should not exceed 1.5m for cardboard packages nor 3m for wooden cases.
- Store and display batteries in their original package. The batteries may be short-circuited or damaged if been unpacked and stacked messily.
- Long Shelf Life (less than 1% per year after 1 year of storage at 25°C)

Declaration

Akyga Battery reserves the right to make changes without notice to any product specification herein, to make corrections, modifications, enhancements or other changes. Akyga Battery or anyone on its behalf assumes no responsibility or liability for any errors or inaccuracies. Data sheet specifications and its information contained are intended to provide a product description only. "Typical" parameters which may be included on Akyga Battery data sheets and/ or specifications can and do vary in different applications and actual performance may vary over time. Akyga Battery does not assume any liability arising out of the application or use of any product or



circuit. Akyga Battery products are not designed, intended or authorized for use in medical, life-saving implant or other applications intended for life-sustaining or other related applications where a failure or malfunction of component or circuitry may directly or indirectly cause injury or threaten a life without expressed written approval of Akyga Battery. Customers using or selling Akyga Battery components for use in such applications do so at their own risk and shall agree to fully indemnify Akyga Battery and its subsidiaries harmless against all claims, damages and expenditures.