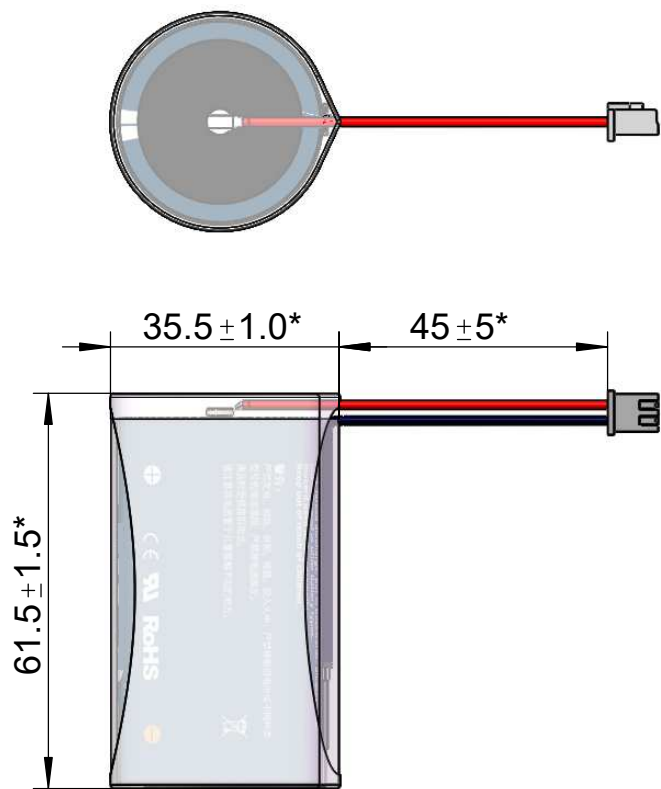
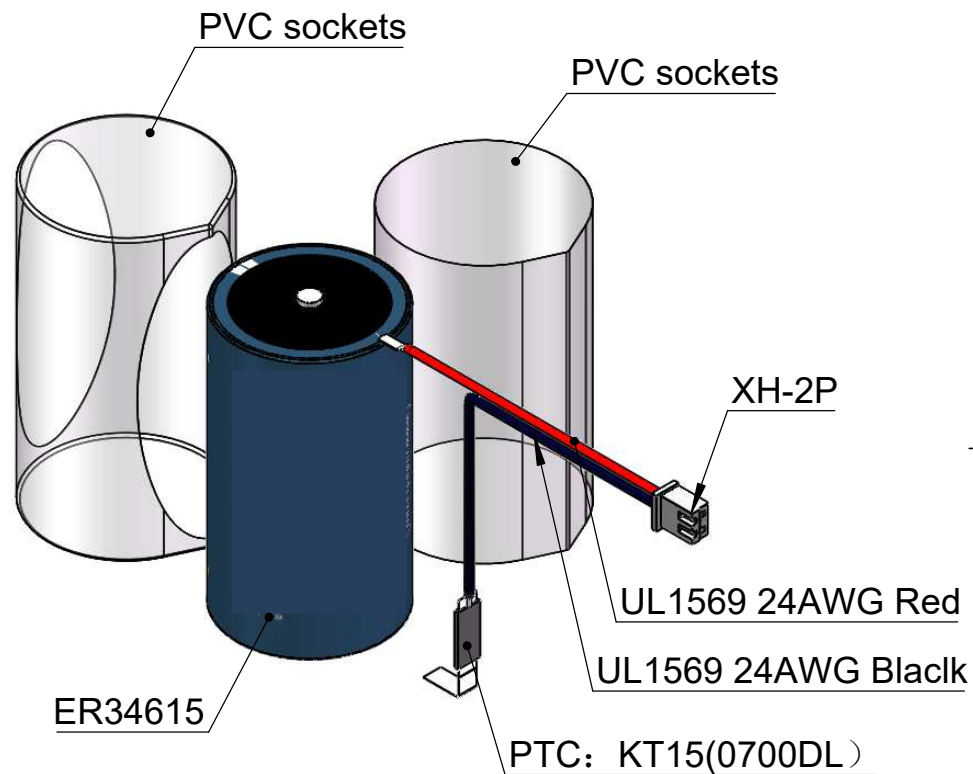


AKY2094



Linear Dimension	Tolerance	Dimension of Angle	Tolerance
0.5-6	±0.1	≤10°	1°
6-30	±0.2	10°-60°	30'
30-120	±0.3	60°-120°	20'
120-400	±0.5	120°-360°	20'



Remark:

- 1、 Cell: 3.6V 19000mAh
- 2、 RoHS Compliant;
- 3、 Unless otherwise specified, tolerances should be refer to the GB/T 1804-2000 standard.

Model	ER34615	Drawn		Projection	
Date	2024/8/7	Checked		SCALE	1:1
Page	1/1	Approved		Unit	mm