

## High Pulse Capacitor

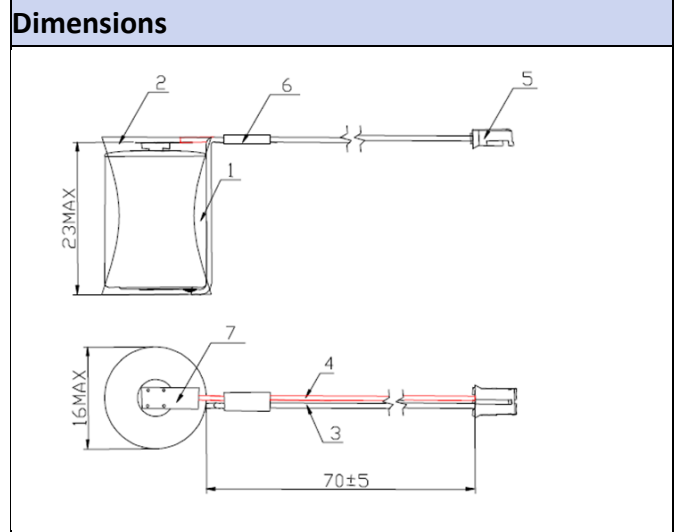
Primary characteristics			
Parameter	Value	Unit	
Capacity at	3.67V	140	As
	3.90V	210	As

## Scope

The purpose of this product specification is to provide technical information for the high pulse capacitor HPC1520

The test shall be conducted in strict accordance with the method specified in this specification.

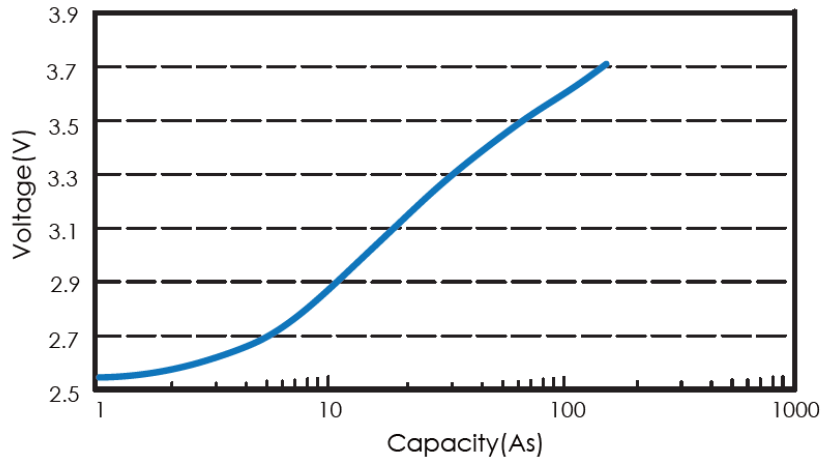
If you have any objection to the test items or test methods, please contact Akyga battery.



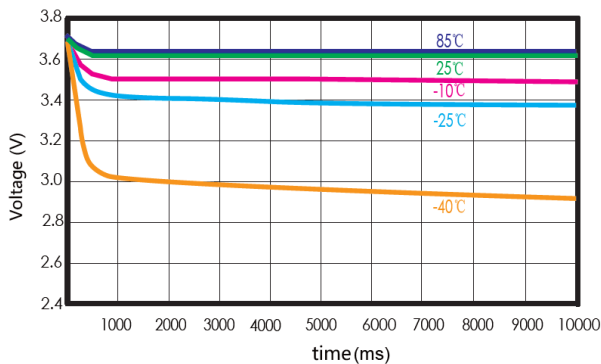
## Specification table

Parameter	Value	Unit
Model	HPC1520	
Cut-off Voltage	2.5	V
Max Continuous Discharge Current	0.5	A
Maximum Pulse Discharge Current(1s)	2.0	A
Pulse Discharge Voltage (-25°C 350mA @10s)	≥3.2	V
Max charge voltage	60	mA
Max charge current	50	mA
Internal Resistance(RT@1kHz)	≤150	mΩ
Leakage Current@RT	1	uA
Leakage Current@80°C0	5	uA
Operating temperature	-40/+85	°C
Average weight	8	g

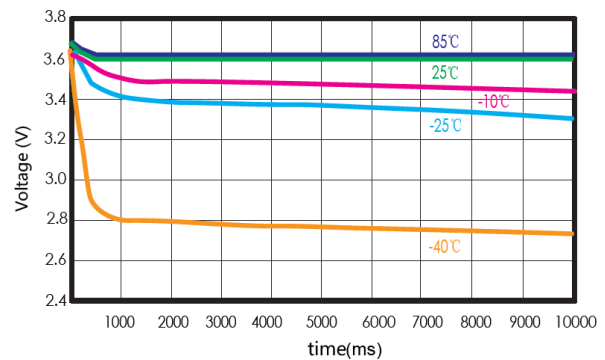
**Capacity vs. OCV (50mA discharge at RT)**



**200mA Discharge characteristic**



**350mA Discharge characteristic**



**Warning**

- Don't place the capacitor in heater, washer or high-pressure container.
- Don't use the capacitor together with different kind of capacitor.
- Stop using when the capacitor become heat, emit or appear other abnormality during use or storing.
- Keep away from the capacitor when the capacitor is leakage or emit abnormal smell
- Was yourself quickly when the electrolyte infiltrate to your skin or clothes
- Wash your eyes by clean water quickly and go to hospital for further check if the electrolyte infiltrate to your eyes

## Declaration

Akyga Battery reserves the right to make changes without notice to any product specification herein, to make corrections, modifications, enhancements or other changes. Akyga Battery or anyone on its behalf assumes no responsibility or liability for any errors or inaccuracies. Data sheet specifications and its information contained are intended to provide a product description only. "Typical" parameters which may be included on Akyga Battery data sheets and/ or specifications can and do vary in different applications and actual performance may vary over time. Akyga Battery does not assume any liability arising out of the application or use of any product or circuit. Akyga Battery products are not designed, intended or authorized for use in medical, life-saving implant or other applications intended for life-sustaining or other related applications where a failure or malfunction of component or circuitry may directly or indirectly cause injury or threaten a life without expressed written approval of Akyga Battery. Customers using or selling Akyga Battery components for use in such applications do so at their own risk and shall agree to fully indemnify Akyga Battery and its subsidiaries harmless against all claims, damages and expenditures.