

Lithium Ion Battery

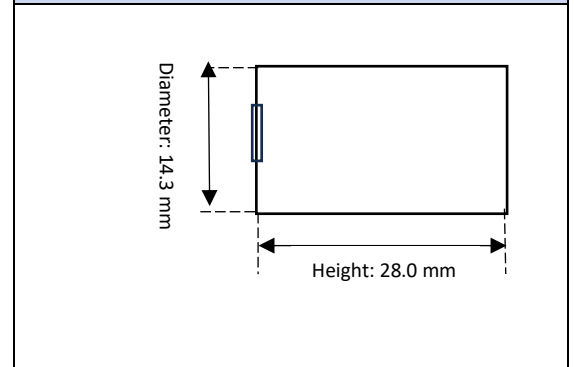
Primary characteristics		
Parameter	Value	Unit
Nominal voltage	3.7	V
Rated capacity	220	mAh

Scope

The purpose of this product specification is to provide technical information for the lithium battery LIP1530. The test shall be conducted in strict accordance with the method specified in this specification.

If you have any objection to the test items or test methods, please contact Akyga battery.

Battery dimensions



Specification table

Parameter	Value	Unit
Battery model	LIP1530WT	
Nominal voltage	3.7	V
Discharge Cut-off Voltage	2.5	V
Charge Cut-off Voltage	4.2	V
Nominal capacity	220	mAh
Maximum Pulse Discharge Current	4400	mA
Maximum Pulse Discharge Current (-40°C)	1100	mA
Maximum Continuous Discharge Current	2200	mA
Maximum Charge Current	660	mA
Internal Resistance(1kHz@RT)	≤140	mΩ
Operating temperature	Charge Temperature -40~+85 Discharge Temperature -40~+85	°C
Cycle life (0.2 100% DOD)	≥500	
Storage Environment (Recommended)	25±3°C 65±20% RH	
Notes:		

Warning:

- The battery used in this device may present a risk of fire or chemical burn if mistreated.
- Do not disassemble, expose to heat above 100°C or incinerate it.
- Do not expose the cell to extreme heat or flame.
- Do not short circuit, over-charge or over-discharge the cell.
- Do not subject the cell to strong mechanical shocks.
- Do not immerse the cell in water or sea water, or get it wet.
- Do not reverse the polarity of the cell for any reason.
- Do not disassemble or modify the cell.
- Do not handle or store with metallic like necklaces, coins or hairpins, etc.
- Do not connect cell to the plug socket or car-cigarette-plug.
- Do not make the direct soldering onto a cell
- Do not touch a leaked cell directly.
- Do not use Lithium-ion cell in mixture.
- Do not use or leave the cell under the blazing sun (or In heated car by sunshine).
- Keep cell away from children.
- Do not drive a nail into the cell, strike it by hammer or tread it.
- Replace battery with those of Akyga battery only.

Storage

- The batteries should be stored 25±3°C 65±20% RH
- The batteries should not be stored next to heat sources or in direct sunlight. The storage area should be clean, cool, dry, ventilated and weatherproof.
- The height to which batteries may be stacked is clearly dependent on the strength of the packing. As a general rule, this height should not exceed 1.5m for cardboard packages nor 3m for wooden cases.
- Store and display batteries in their original package. The batteries may be short-circuited or damaged if been unpacked and stacked messily.
- Long Shelf Life (less than 1% per year after 1 year of storage at 25°C)

Declaration

Akyga Battery reserves the right to make changes without notice to any product specification herein, to make corrections, modifications, enhancements or other changes. Akyga Battery or anyone on its behalf assumes no responsibility or liability for any errors or inaccuracies. Data sheet specifications and its information contained are intended to provide a product description only. "Typical" parameters which may be included on Akyga Battery data sheets and/ or specifications can and do vary in different applications and actual performance may vary over time. Akyga Battery does not assume any liability arising out of the application or use of any product or circuit. Akyga Battery products are not designed, intended or authorized for use in medical, life-saving implant or other applications intended for life-sustaining or other related applications where a failure or malfunction of component or circuitry may directly or indirectly cause injury or threaten a life without expressed written approval of Akyga Battery. Customers using or selling Akyga Battery components for use in such applications do so at their own risk and shall agree to fully indemnify Akyga Battery and its subsidiaries harmless against all claims, damages and expenditures.