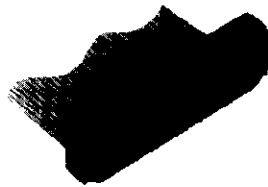




AMP-LATCH Connectors (Continued)

Novo Receptacles, Center and Military Polarized* 2.54 x 2.54 [.100 x .100] Centers

Housing Assembly with Cover (Preassembled) and Strain Relief (Optional)



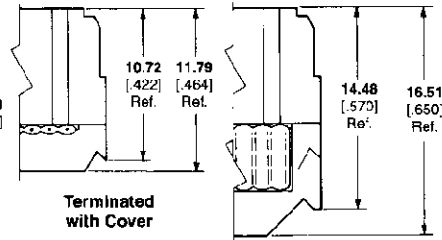
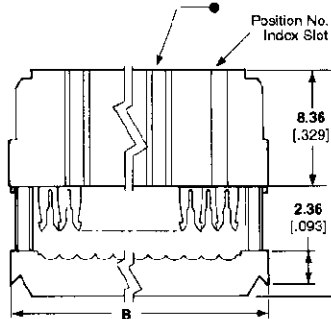
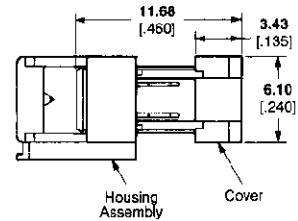
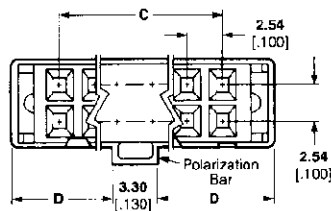
Contacts mate with 0.64 [.025] sq. or round pins with 6.22 [.245] max. and 4.45 [.175] min. lengths.

Material and Finish:

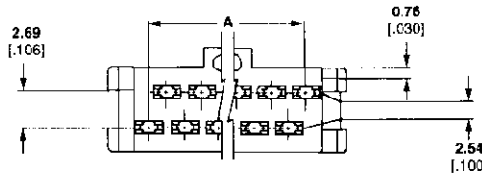
Housing, Cover & Strain Relief—94V-0 rated thermoplastic, black
Contacts—Phosphor bronze, duplex plated (See chart below)

Related Product Data:

- Electrical Characteristics** — Page 488
- Mateable Connectors:**
 - Universal — Pages 497, 498
 - Low Profile — Pages 493, 496
 - Ribbon Cable — Page 498



Terminated with Cover and Strain Relief



Housing Assembly and Cover

● There is no polarization slot on this end of 10- and 14-position receptacles.

Accessories:

- Keying Plug** — Page 492
- Application Tooling** —
 - R-CAM 4 Cable Assembly Machine
 - R-CAM 3A Ribbon Cable Assembly Machine
 - R-CAM 2A Ribbon Cable Assembly Machine
 - Manual Arbor Tool — Part No. 91085-2
 - Pneumatic Auto-Cycle Tool — Part No. 91112-3

Strain Relief Dimensional Information — Page 492

Technical Documents:

- Product Specifications** — 108-40000 Novo and Novo Slackable Receptacles; 108-40004 Ribbon Cable, PVC Insulated, AMP
- Application Specification** — 114-40005 Ribbon Cable Connectors

No. of Pos.	Dimensions				Contact Plating	Strain Relief Part No.	Receptacle (Preassembled)
	A	B	C	D			
10	11.43	17.27	10.16	6.99	Duplex ¹	499252-5	746285-1
	.450	.680	.400	.275	Duplex ²	499252-5	746288-1
14	16.51	22.35	15.24	9.53	Duplex ¹	499252-9	746285-2
	.650	.880	.600	.375	Duplex ²	499252-9	746288-2
16	19.05	24.89	17.78	10.80	Duplex ¹	499252-8	746285-3
	.750	.980	.700	.425	Duplex ²	499252-8	746288-3
20	24.13	29.97	22.86	13.34	Duplex ¹	499252-2	746285-4
	.950	1.180	.900	.525	Duplex ²	499252-2	746288-4
24	29.21	35.05	27.94	15.88	Duplex ¹	1-499252-0	746285-5
	1.150	1.380	1.100	.625	Duplex ²	1-499252-0	746288-5
26	31.75	37.59	30.48	17.15	Duplex ¹	499252-3	746285-6
	1.250	1.480	1.200	.675	Duplex ²	499252-3	746288-6
30	36.83	42.67	35.56	19.69	Duplex ¹	1-499252-2	746285-7
	1.450	1.680	1.400	.775	Duplex ²	1-499252-2	746288-7
34*	41.91	47.75	40.64	22.23	Duplex ¹	499252-6	746285-8
	1.650	1.880	1.600	.875	Duplex ²	499252-6	746288-8
40*	49.53	55.37	48.26	26.04	Duplex ¹	499252-1	746285-9
	1.950	2.180	1.900	1.025	Duplex ²	499252-1	746288-9
50*	62.23	68.07	60.96	32.39	Duplex ¹	499252-4	1-746285-0
	2.450	2.680	2.400	1.275	Duplex ²	499252-4	1-746288-0

¹.000015 [.00038] gold on post/pin mating end, .000100-.000200 [.000254-.000508] bright tin-lead on termination end, with entire contact underplated .000050 [.00127] nickel.

².000030 [.00076] gold on post/pin mating end, .000100-.000200 [.000254-.000508] bright tin-lead on termination end, with entire contact underplated .000050 [.00127] nickel.

*Economy versions featuring contacts with gold-flash over nickel plating are available, see catalog #82012.

*These receptacles can be used in applications requiring center polarization.