

# FCI Quickie™ Connectors

# FCI

## 2.54MM X 2.54MM (.100" X .100") QUICKIE™ III IDC SINGLE-BEAM RECEPTACLE

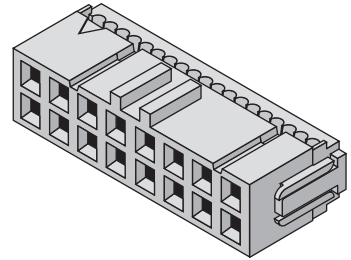
**Specifications:**

- Contact area plating: 0.76µm (30µ") gold
- Center and dual polarization
- Housing Material: Glass-filled thermoplastic polyester
- Color: Gray
- Cable entry: Dual
- Insulation resistance: 50,000MΩ
- Withstanding voltage: 1000VAC rms
- Current rating: 1A continuous
- Temperature range: -65°C to + 105°C
- Contact resistance: 15mΩ max.
- Contact base material: Copper alloy
- Contact underplating: 1.27µm (50µ") nickel
- Mating data: Mates with 0.64mm (.025") square or round pin from 4.32mm (.170") min. to 6.35mm (.252") max. A nominal 5.84mm (.230") is recommended



For quantities of 200 and up, call for quote.

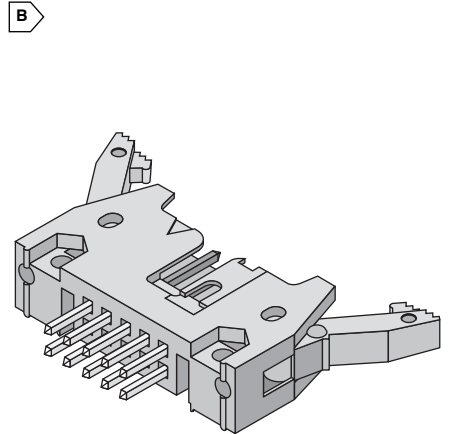
MOUSER STOCK NO.	FCI Part No.	Fig.	No. of Positions	Standard Strain Relief	Central Key	Price Each			
						1	25	50	100
649-71600-010	71600-010	A	2x5	Yes	Yes	1.38	1.30	1.26	1.22
649-71600-014	71600-014	A	2x7	Yes	Yes	.61	.57	.56	.54
649-71600-016	71600-016	A	2x8	Yes	Yes	1.45	1.36	1.32	1.28
649-71600-020	71600-020	A	2x10	Yes	Yes	.77	.73	.71	.68
649-71600-026	71600-026	A	2x13	Yes	Yes	.87	.82	.80	.77
649-71600-034	71600-034	A	2x17	Yes	Yes	1.06	1.00	.97	.94
649-71600-040	71600-040	A	2x20	Yes	Yes	1.23	1.15	1.12	1.08
649-71600-044	71600-044	A	2x22	Yes	Yes	1.99	1.89	1.79	1.69
649-71600-050	71600-050	A	2x25	Yes	Yes	1.94	1.82	1.77	1.71
649-71600-060	71600-060	A	2x30	Yes	Yes	1.74	1.63	1.59	1.53
649-71600-064	71600-064	A	2x32	Yes	Yes	1.79	1.68	1.63	1.58
649-71600-108	71600-108	A	2x4	No	Yes	.31	.29	.28	.27



**Dual Polarization Only**

For quantities of 200 and up, call for quote.

MOUSER STOCK NO.	FCI Part No.	Fig.	No. of Positions	Standard Strain Relief	Central Key	Price Each			
						1	25	50	100
649-71600-306	71600-306	A	2x3	Yes	No	.96	.90	.88	.85
649-71600-308	71600-308	A	2x4	Yes	No	1.07	1.04	.98	.94
649-71600-310	71600-310	A	2x5	Yes	No	.98	.90	.84	.80
649-71600-314	71600-314	A	2x7	Yes	No	.61	.58	.56	.54



## 2.54MM X 2.54MM (.100" X .100") QUICKIE™ III HEADERS

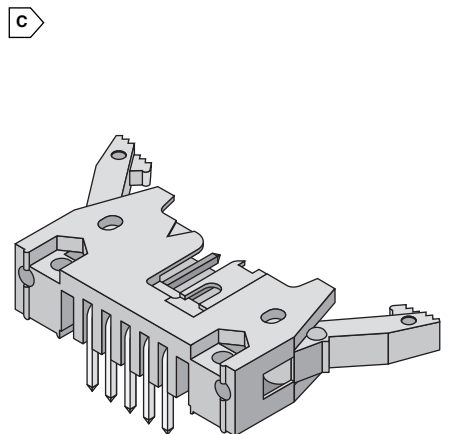
**Specifications:**

- Contact area plating: 0.76µm (30µ") gold
- Standard polarization
- Tail length: 2.90mm (.114")
- Tail plating: 3.81µm (150µ") Tin-lead
- Housing material: Glass-filled thermoplastic polyester
- Color: Gray
- Housing style: Eject
- Insulation resistance: 100,000MΩ
- Withstanding voltage: 1000VAC rms
- Current rating: 1A continuous
- Temperature range: -65°C to + 125°C



For quantities of 200 and up, call for quote.

MOUSER STOCK NO.	FCI Part No.	Fig.	No. of Positions	Board Thru Mount	Left Polarization	Price Each			
						1	25	50	100
649-71918-110	71918-110	B	2x5	Yes	No	.93	.88	.85	.82
649-71918-114	71918-114	B	2x7	Yes	No	1.06	1.00	.97	.93
649-71918-116	71918-116	B	2x8	Yes	Yes	1.10	1.04	1.01	.97
649-71918-120	71918-120	B	2x10	Yes	Yes	1.25	1.18	1.14	1.11
649-71918-126	71918-126	B	2x13	Yes	Yes	1.44	1.35	1.32	1.27
649-71918-134	71918-134	B	2x17	Yes	Yes	1.65	1.55	1.51	1.46
649-71918-140	71918-140	B	2x20	Yes	Yes	1.90	1.79	1.74	1.68
649-71918-150	71918-150	B	2x25	Yes	Yes	2.33	2.19	2.13	2.05
649-71918-160	71918-160	B	2x30	Yes	Yes	2.69	2.53	2.46	2.37
649-71918-164	71918-164	B	2x32	Yes	Yes	2.84	2.67	2.59	2.50



**Right Angle Headers**

For quantities of 200 and up, call for quote.

MOUSER STOCK NO.	FCI Part No.	Fig.	No. of Positions	Board Thru Mount	Left Polarization	Price Each			
						1	25	50	100
* 649-71922-106	71922-106	C	2x3	Yes	No	.83	.78	.75	.73
649-71922-110	71922-110	C	2x5	Yes	No	.93	.88	.85	.82
649-71922-116	71922-116	C	2x8	Yes	Yes	1.10	1.04	1.01	.97
649-71922-120	71922-120	C	2x10	Yes	Yes	1.25	1.18	1.14	1.10
649-71922-126	71922-126	C	2x13	Yes	Yes	1.44	1.35	1.32	1.27
649-71922-134	71922-134	C	2x17	Yes	Yes	1.65	1.55	1.51	1.46
649-71922-140	71922-140	C	2x20	Yes	Yes	1.91	1.80	1.74	1.68
649-71922-144	71922-144	C	2x22	Yes	Yes	2.07	1.95	1.90	1.83
649-71922-150	71922-150	C	2x25	Yes	Yes	2.33	2.19	2.13	2.05
649-71922-160	71922-160	C	2x30	Yes	Yes	2.69	2.53	2.46	2.37
649-71922-164	71922-164	C	2x32	Yes	Yes	2.84	2.67	2.59	2.50

\* No central slot on position 6  
 Catalog #626, May 2006 - July 2006  
 © Copyright 2006 Mouser Electronics