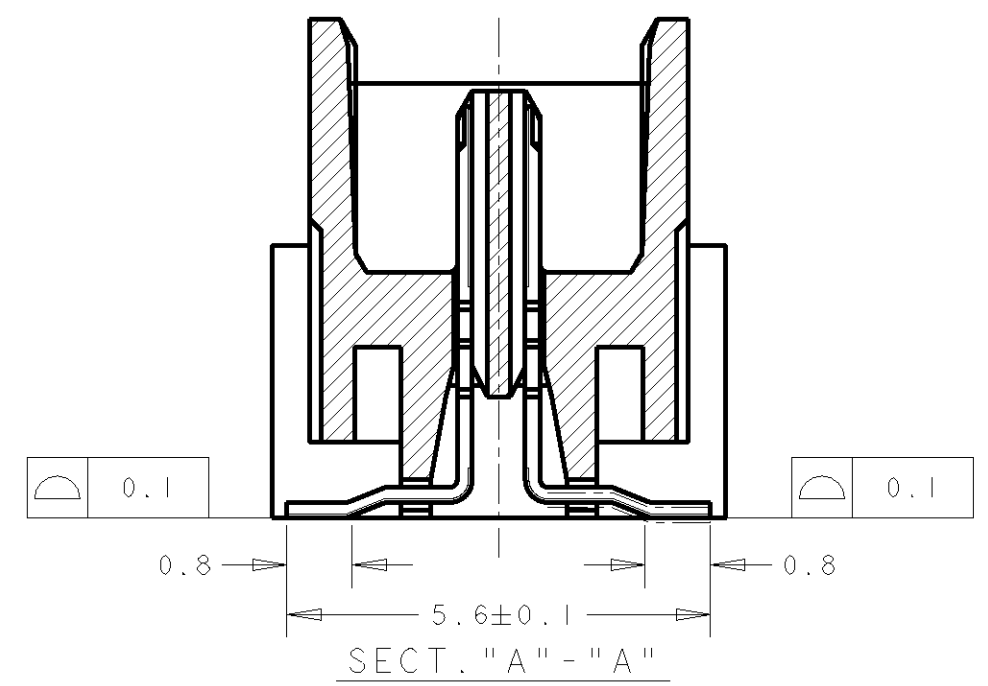
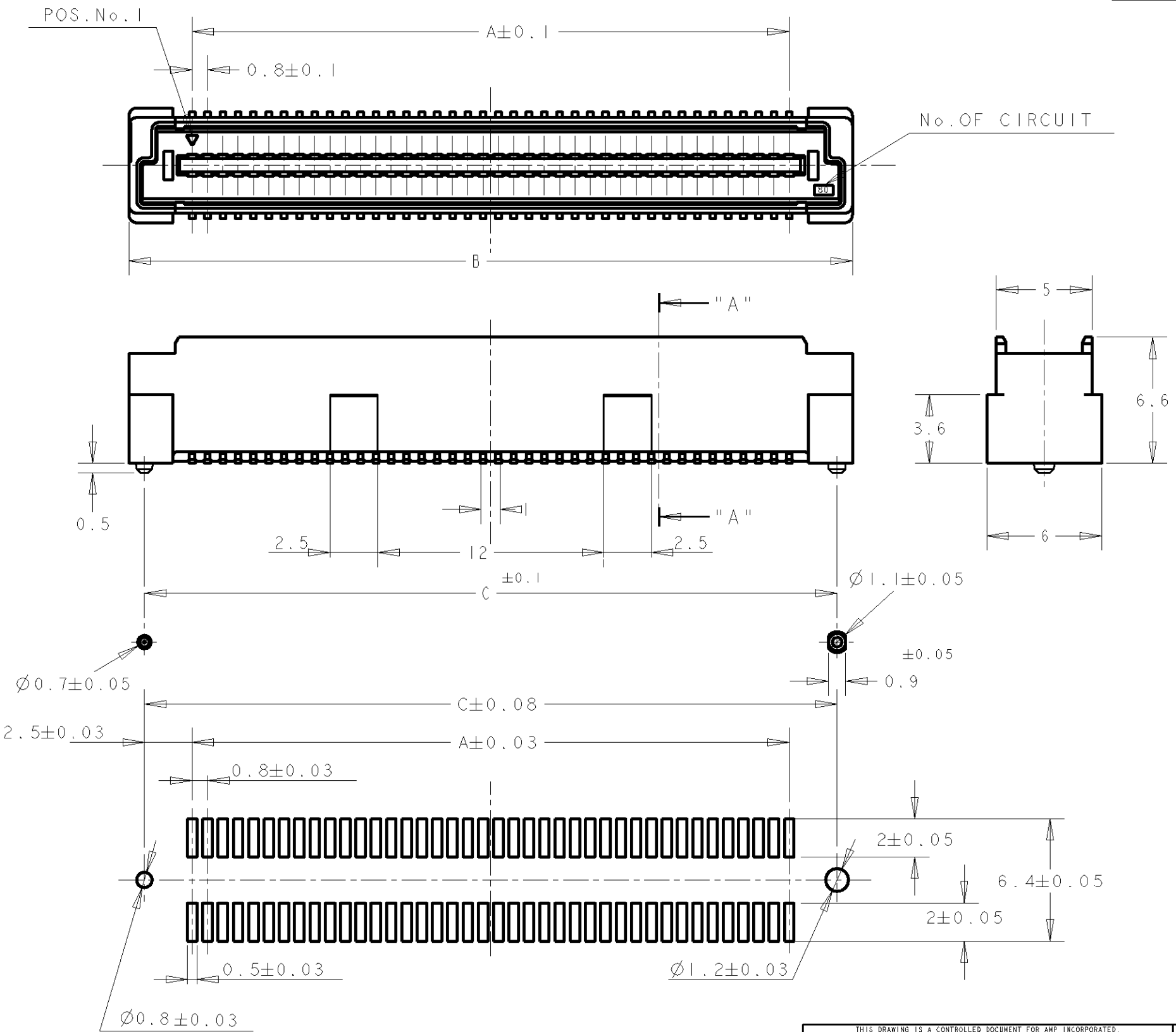


LOC	DIST	REVISIONS			
P	LTR	DESCRIPTION	DATE	DWN	APVD
DY	-	J REVISED FP00-0192-04	2AUG04	LWY	ET



- NOTES:
- 1 MATERIAL; HOUSING: L.C.P (HIGH TEMP THERMO PLASTIC) UL 94V-0, NATURAL. CONTACT: BRASS.
 - 2 FINISH; CONTACT AREA: 0.0002 MIN GOLD ON 0.0013 MIN ALL OVER NICKEL. SOLDERING AREA: 0.001 MIN TIN-LEAD.
 - 3. POSITION SERIES; SEE TABLE.
 - 4. CONN STACK HEIGHT COMBINE OF PLUG "Y" H VS REC "X" H. STACK HEIGHT = Y + X - 5
 - 5 FINISH ; CONTACT AREA: 0.00076 MIN GOLD ON 0.0013 MIN ALL OVER NICKEL. SOLDERING AREA: 0.001 MIN TIN-LEAD.

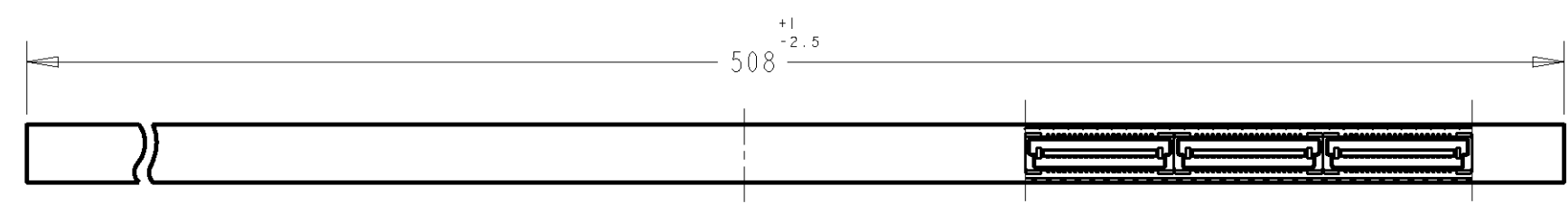
RECOMMENDED P.C. BOARD LAYOUT

P/N SEE SHEET 2 AND 3 OF 3

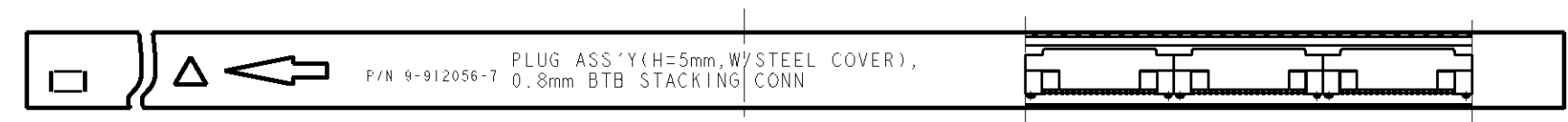
THIS DRAWING IS A CONTROLLED DOCUMENT FOR AMP INCORPORATED. IT IS SUBJECT TO CHANGE AND THE CONTROLLING ENGINEERING ORGANIZATION SHOULD BE CONTACTED FOR THE LATEST REVISION.		DWN T. KUSUHARA 30MAR93	AMP MANUFACTURING (SINGAPORE) PTE. LTD.
		CHK I. ENOMOTO 30MAR93	
DIMENSIONS: mm		APVD ERIC TNG	NAME PLUG ASSEMBLY 7H TYPE (0.5 BOSS LENGTH) FOR FH 0.8mm PITCH B-T-B CONNECTOR
TOLERANCES UNLESS OTHERWISE SPECIFIED: 0 PLC ±- 1 PLC ±0.1 2 PLC ±0.01 3 PLC ±0.001 4 PLC ±0.0001 ANGLES ±-		PRODUCT SPEC -	SIZE A3
MATERIAL		APPLICATION SPEC -	CAGE CODE 00779
FINISH -		WEIGHT -	DRAWING NO C-179030
		CUSTOMER DRAWING	SCALE 4:1 SHEET 1 OF 3 REV J

THIS DRAWING IS UNPUBLISHED. RELEASED FOR PUBLICATION .19 .
 © COPYRIGHT 19 BY AMP INCORPORATED. ALL RIGHTS RESERVED.

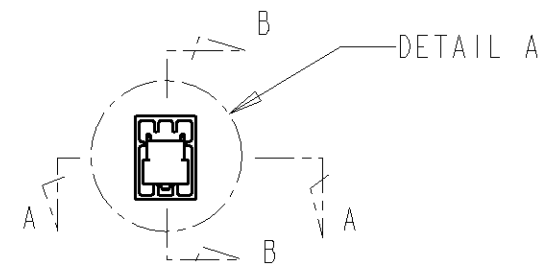
LOC	DIST	REVISIONS					
		P	LTR	DESCRIPTION	DATE	DWN	APVD
DY	-	-	-	SEE SHEET 1 OF 3	-	-	-



SECT A-A

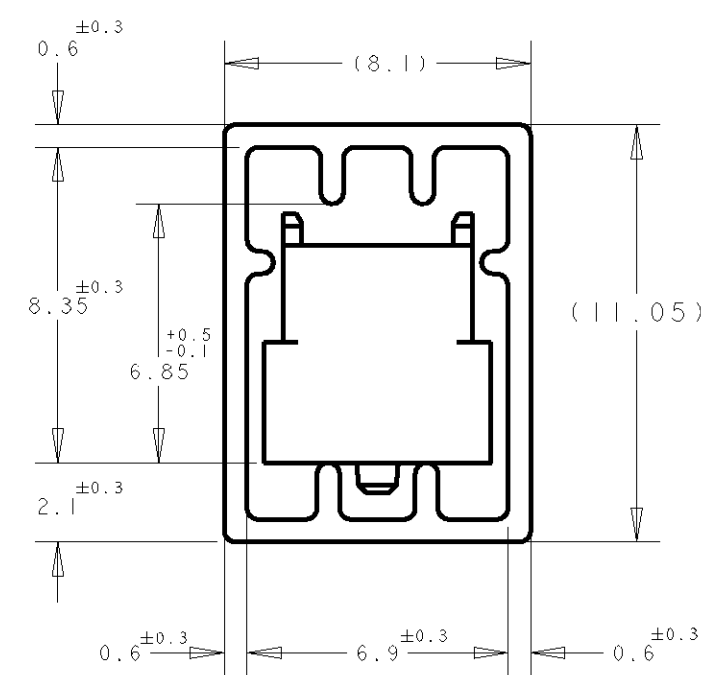


SECT B-B



REFERENCE PICTURE OF TUBE PACK

PLUG ASS'Y (H=5mm, W/ STEEL COVER),
 P/N 9-912056-7 0.8mm BTB STACKING CONN



DETAIL "B"
(SCALE 5-1)

5	5	84.2	85.8	79.2	200	2-	-0
	6	76.2	77.8	71.2	180	1-	-9
	6	68.2	69.8	63.2	160	1-	-8
	7	64.2	65.8	59.2	150	1-	-7
	7	60.2	61.8	55.2	140	1-	-6
	9	52.2	53.8	47.2	120	1-	-5
	10	44.2	45.8	39.2	100	1-	-4
	12	36.2	37.8	31.2	80	1-	-3
	16	28.2	29.8	23.2	60	1-	-2
	22	20.2	21.8	15.2	40	1-	-1
2	5	84.2	85.8	79.2	200	1-	-0
	6	76.2	77.8	71.2	180		-9
	6	68.2	69.8	63.2	160		-8
	7	64.2	65.8	59.2	150		-7
	7	60.2	61.8	55.2	140		-6
	9	52.2	53.8	47.2	120		-5
	10	44.2	45.8	39.2	100		-4
	12	36.2	37.8	31.2	80		-3
	16	28.2	29.8	23.2	60		-2
	22	20.2	21.8	15.2	40		179030-1
FINISH	QTY/TUBE	C	B	A	POS.	CONN P/N	

<small>THIS DRAWING IS A CONTROLLED DOCUMENT FOR AMP INCORPORATED. IT IS SUBJECT TO CHANGE AND THE CONTROLLING ENGINEERING ORGANIZATION SHOULD BE CONTACTED FOR THE LATEST REVISION.</small>		DWN T.KUSUHARA 30MAR93 CHK I.ENOMOTO 30MAR93 APVD ERIC TNG PRODUCT SPEC - APPLICATION SPEC - WEIGHT - CUSTOMER DRAWING	AMP AMP MANUFACTURING (SINGAPORE) PTE. LTD. NAME PLUG ASSEMBLY 7H TYPE (0.5 BOSS LENGTH) FOR FH 0.8mm PITCH B-T-B CONNECTOR SIZE A3 CAGE CODE 00779 DRAWING NO C-179030 SCALE 4:1 SHEET 2 OF 3 REV J
DIMENSIONS: mm 	TOLERANCES UNLESS OTHERWISE SPECIFIED: 0 PLC ±- 1 PLC ±0.2 2 PLC ±0.25 3 PLC ±0.3 4 PLC ±- ANGLES ±3°	MATERIAL 	FINISH -

4

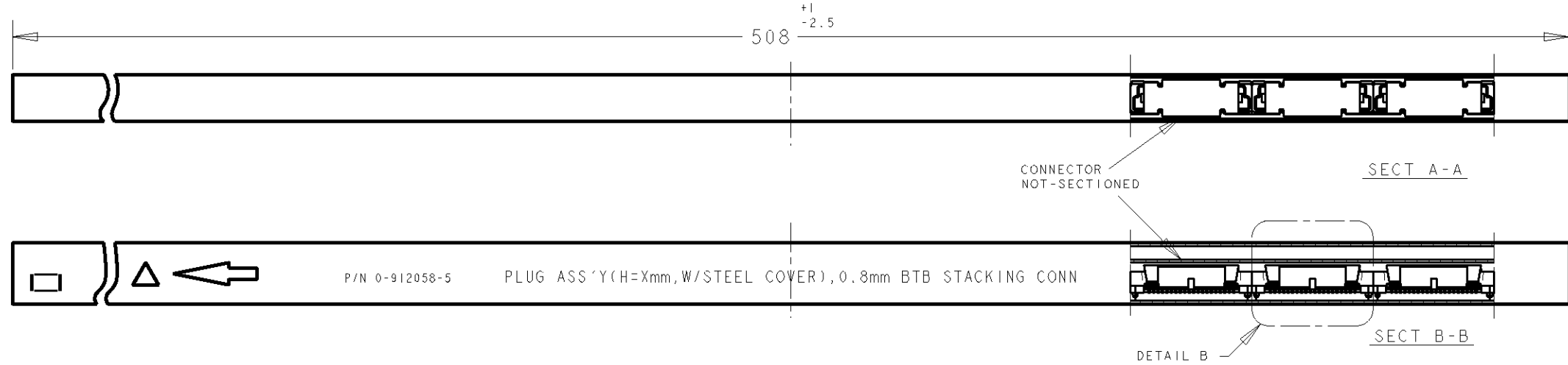
3

2

1

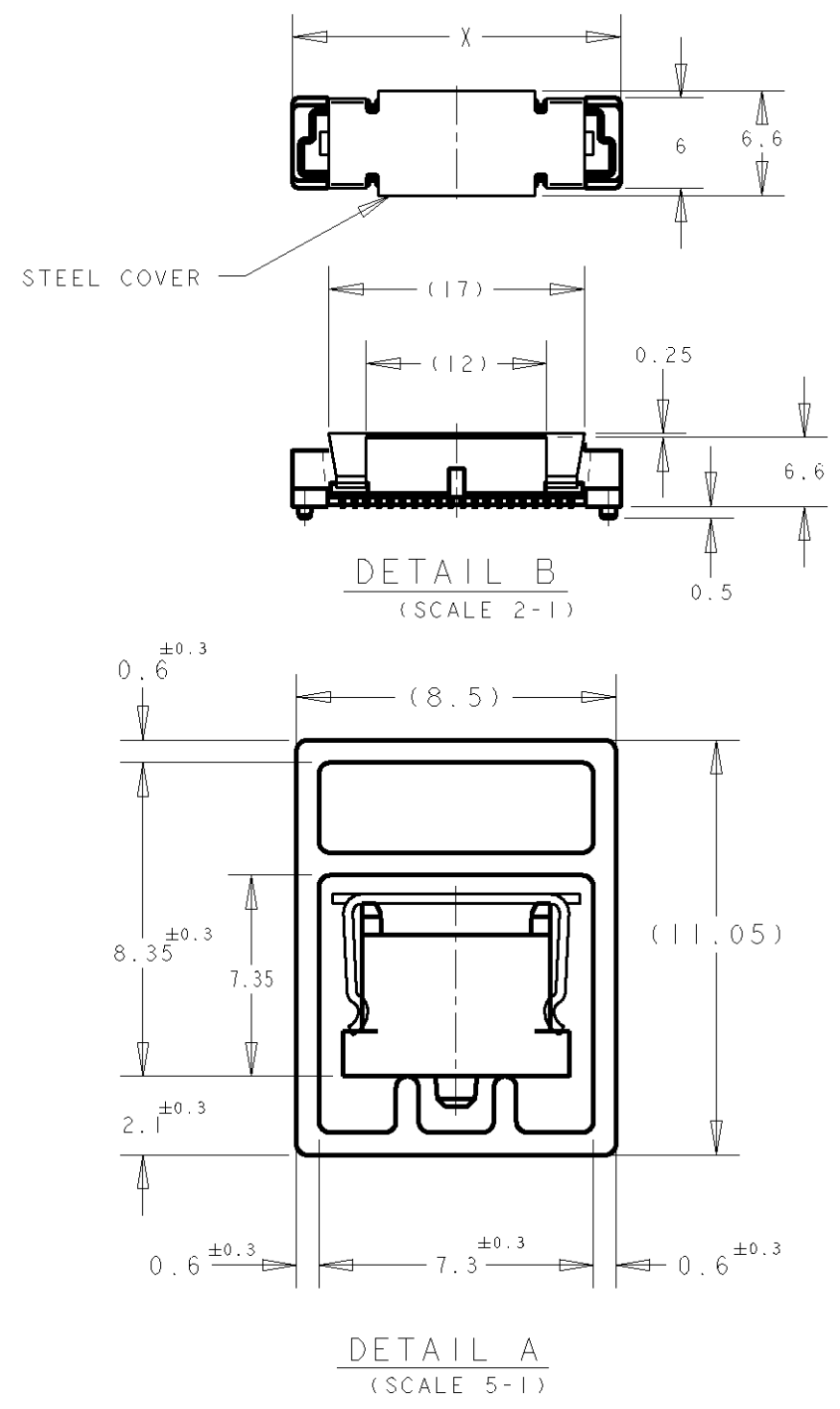
THIS DRAWING IS UNPUBLISHED. RELEASED FOR PUBLICATION .19 .
 © COPYRIGHT 19 BY AMP INCORPORATED. ALL RIGHTS RESERVED.

LOC DY	DIST -	REVISIONS			
P	LTR	DESCRIPTION	DATE	DWN	APVD
		SEE SHEET 1			



P/N 0-912058-5 PLUG ASS'Y (H=Xmm, W/STEEL COVER), 0.8mm BTB STACKING CONN

PLUG TUBE ASSY WITH STEEL COVER FOR FH 0.8 B-T-B CONNECTOR



WITH STEEL COVER	5	5	85.8	200	3-	-0
		6	77.8	180	2-	-9
		6	69.8	160	2-	-8
		7	65.8	150	2-	-7
		7	61.8	140	2-	-6
		9	53.8	120	2-	-5
		10	45.8	100	2-	-4
		12	37.8	80	2-	-3
		16	29.8	60	2-	-2
		22	21.8	40	2-179030-1	
REMARKS	FINISH	QTY/TUBE	X	POS.	CONN P/N	

THIS DRAWING IS A CONTROLLED DOCUMENT FOR AMP INCORPORATED. IT IS SUBJECT TO CHANGE AND THE CONTROLLING ENGINEERING ORGANIZATION SHOULD BE CONTACTED FOR THE LATEST REVISION.		DWN WYLEE	2AUG04	AMP AMP MANUFACTURING (SINGAPORE) PTE. LTD.
DIMENSIONS: mm		CHK ERIC TNG	NAME PLUG ASSEMBLY 7H TYPE (0.5 BOSS LENGTH) FOR FH 0.8mm PITCH B-T-B CONNECTOR	
TOLERANCES UNLESS OTHERWISE SPECIFIED: 0 PLC ±- 1 PLC ±0.20 2 PLC ±0.25 3 PLC ±0.30 4 PLC ±- ANGLES ±3°		APVD ERIC TNG	PRODUCT SPEC -	SIZE A3
MATERIAL -		FINISH -	APPLICATION SPEC -	CAGE CODE 00779
		WEIGHT -		DRAWING NO C-179030
CUSTOMER DRAWING			SCALE 1:1	SHEET 3 OF 3 REV J