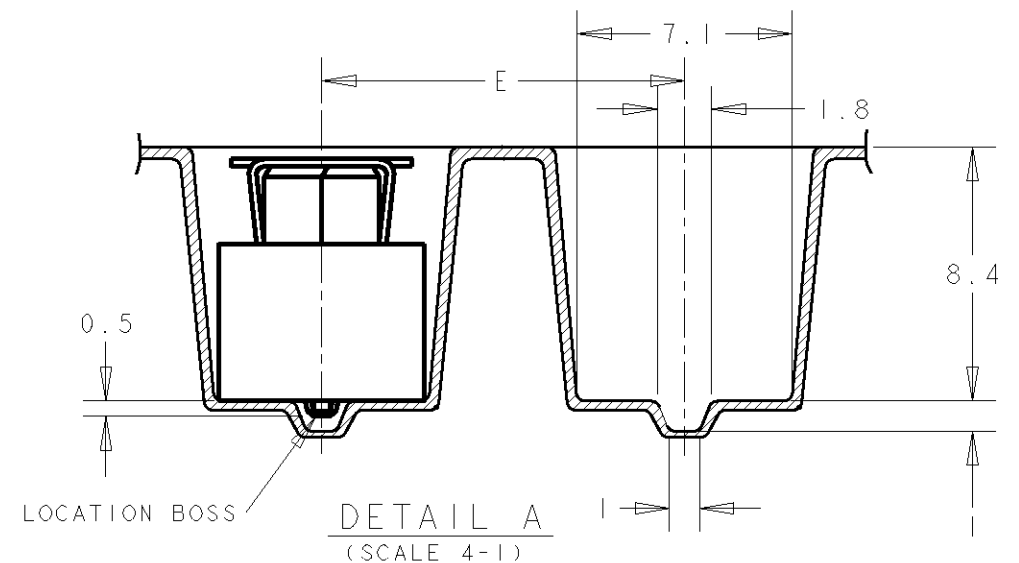
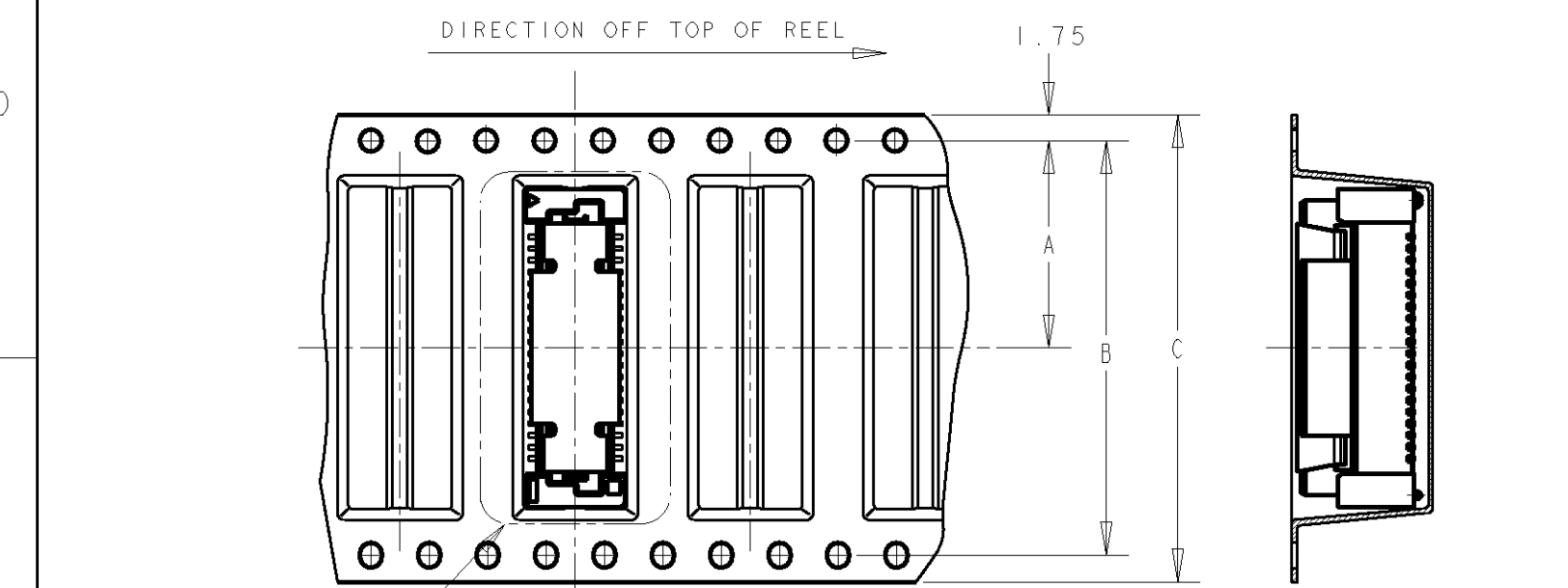
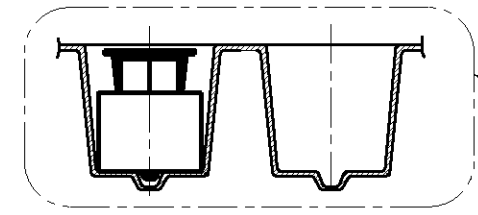


THIS DRAWING IS UNPUBLISHED. RELEASED FOR PUBLICATION .19
 © COPYRIGHT 19 BY AMP INCORPORATED. ALL RIGHTS RESERVED.

LOC	DIST	REVISIONS				
P	LTR	DESCRIPTION	DATE	DWN	APVD	
DY	-	F	REVISED FP00-0103-04	30APR04	LSK	ET



DETAIL B

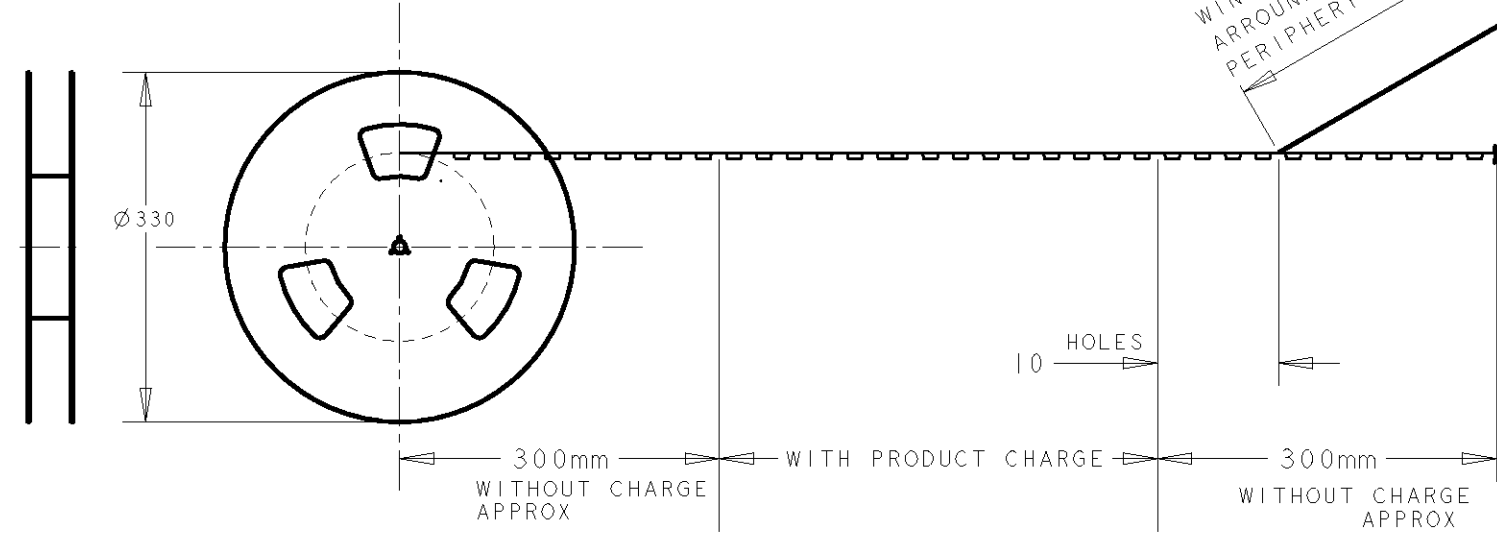


DETAIL A

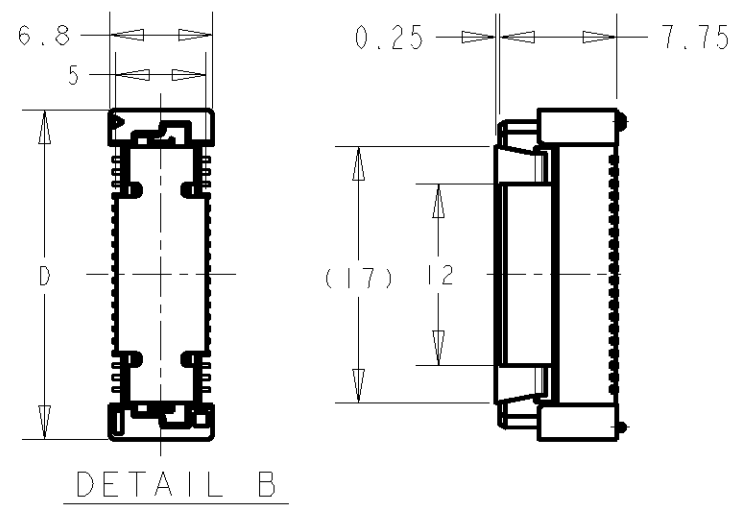
WINDING THE COVER TAPE
 AROUND THE OUTER
 PERIPHERY IN A TURN.

NOTES:

1 0.00076 MIN GOLD PLATING (30u INCHES GOLD PLATING)



REMARKS	QTY	E	D	C	B	A	POS	CONN P/N	PART NO		
1			61.8				140	-6	7-	-6	
			53.8				120	-5	7-	-5	
	400	16	45.8	72	68.4	34.2	100	-4	7-	-4	
			38.1	56	52.4	26.2	80	-3	7-	-3	
			30.1	44	40.4	20.2	60	-2	7-	-2	
	500	12	22.1	32	28.4	14.2	40	84613-1	7-179180-1		
			61.8				140	5-	-6	5-	-6
			53.8				120	5-	-5	5-	-5
	400	16	45.8	72	68.4	34.2	100	5-	-4	5-	-4
			38.1	56	52.4	26.2	80	5-	-3	5-	-3
		30.1	44	40.4	20.2	60	5-	-2	5-	-2	
500	12	22.1	32	28.4	14.2	40	5-179009-1	5-179180-1			



DETAIL B

THIS DRAWING IS A CONTROLLED DOCUMENT FOR AMP INCORPORATED. IT IS SUBJECT TO CHANGE AND THE CONTROLLING ENGINEERING ORGANIZATION SHOULD BE CONTACTED FOR THE LATEST REVISION.

DWN T. KUSUHARA 24NOV93
 CHK I. ENOMOTO
 APVD ERIC TNG
 PRODUCT SPEC -
 APPLICATION SPEC -
 WEIGHT -

AMP AMP MANUFACTURING (SINGAPORE) PTE. LTD.

NAME REC ASS'Y 9H TYPE (0.5 BOSS L) FOR FH 0.8mm B-T-B CONN, ON TAPING

SIZE A3 CAGE CODE 00779 DRAWING NO C-179180

CUSTOMER DRAWING SCALE 2:1 SHEET 1 OF 1 REV F