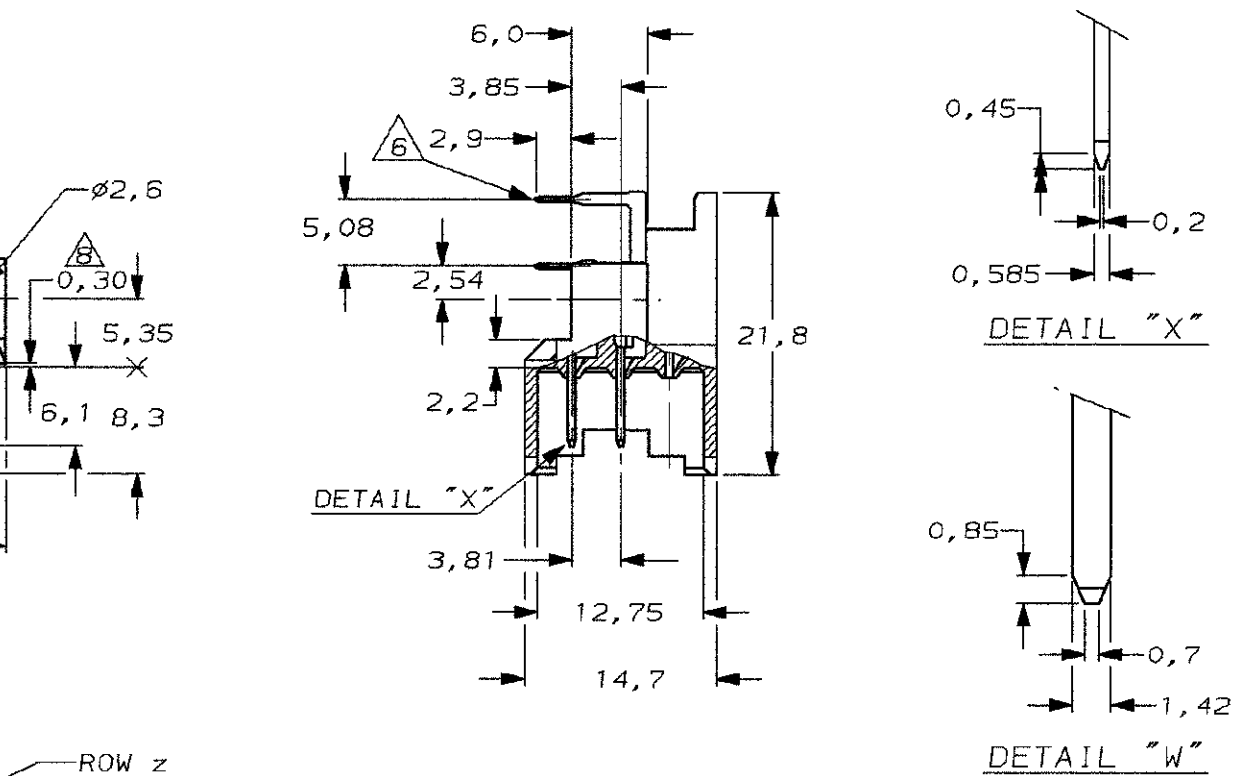
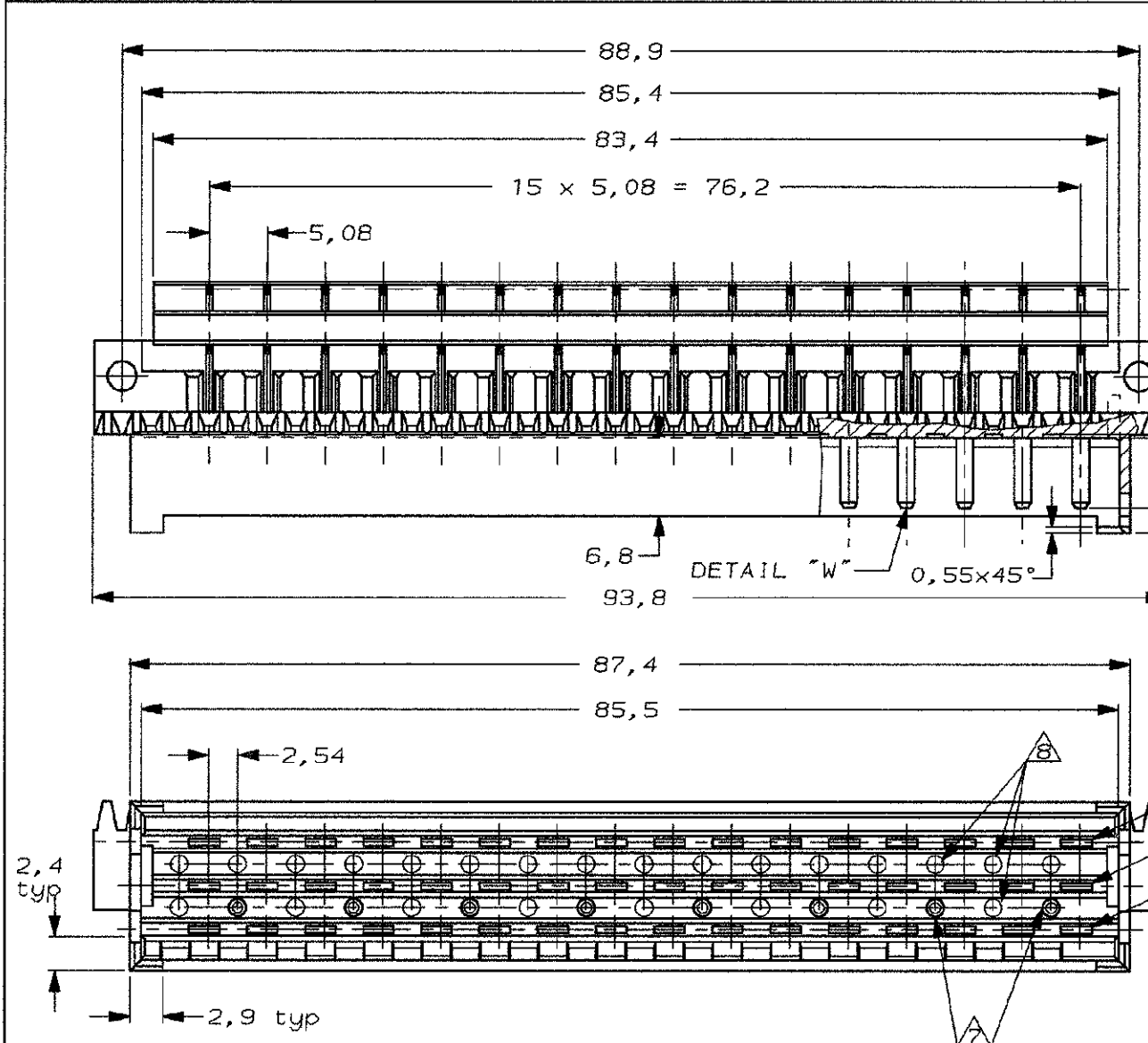


DO NOT SCALE METRIC  
DIMENSIONS IN mm  
THIRD ANGLE PROJECTION



POS. NO		2	4	6	8	10	12	14	16	18	20	22	24	26	28	30	32
F 48 ROW N		X	X	X	X	X	X	X	X	X	X	X	X	X	X	X	X
F 48 ROW Q		X	X	X	X	X	X	X	X	X	X	X	X	X	X	X	X
		.	.	.	.	.	.	.	.	.	.	.	.	.	.	.	.

AN ASTERISK „X” DENOTES A STANDARD CONTACT.

- NOTES
- 1 MATERIAL:  
-HOUSING: THERMOPLASTIC POLYESTER, COLOR GREY.  
-CONTACTS: BRASS.
  - 2 PLATING CONTACT: 1,25 μm Au OVER 1,25 μm Ni IN CONTACT AREA.  
Sn/Pb over 1,25 μm Ni ON SOLDER POST.
  - 3 PLATING CONTACT: 0,8 μm Au OVER 1,25 μm Ni IN CONTACT AREA.  
Sn/Pb over 1,25 μm Ni ON SOLDER POST.
  - 4 PLATING CONTACT: 2,0 μm Au OVER 1,25 μm Ni IN CONTACT AREA.  
Sn/Pb over 1,25 μm Ni ON SOLDER POST.
  - 5 PLATING CONTACT: 0,4 μm Au OVER 1,25 μm Ni IN CONTACT AREA.  
Sn/Pb over 1,25 μm Ni ON SOLDER POST.
  - 6 SOLDER POSTS SUITABLE FOR P.C.B. HOLES  
0,8±0,05 OR 1,0±0,1 DIA.
  - 7 8 HOLES SUITABLE FOR KEYING PIN PN. 215916-1.
  - 8 KEYING HOLES TO BE DRILLED BY CUSTOMER.

2--8 OBSOLETE	SEE NOTE	5	SEE NOTE 1	2-164043-8
2--7 OBSOLETE	SEE NOTE	4		2-164043-7
2--4 OBSOLETE	SEE NOTE	3		2-164043-4
	SEE NOTE	2		2-164043-1

FINISH		MATERIAL		PARTNUMBER				
-	-	-	-					
CUSTOMER DRAWING				FOR REFERENCE ONLY WILL NOT BE UPDATED				
© COPYRIGHT 19- BY AMP-HOLLAND B.V.								
ALL INTERNATIONAL RIGHTS RESERVED. AMP PRODUCTS MAY BE COVERED BY U.S. AND FOREIGN AND/OR PATENTS PENDING.								
THIS DRAWING IS UNPUBLISHED								
RELEASED FOR PUBLICATION								
<b>AMP</b>				AMP-HOLLAND B.V. 's-Hertogenbosch, The Netherlands.				
P	EH-0467-96	J.G.	J.G.	27-05-97				
N	H-9853	R.v.L	J.v.G	31.03.93				
LTR.	REVISION RECORD	DR.	CHK.	DATE				
DR.	R.v.Lokven	CHK.	J.GIBBELS	APP.	-	DWG.No.	REV.LTR.	SHEET
DATE:	31.03.93	DATE:	27-5-97	DATE:	-	C-164043	P	1 OF 1