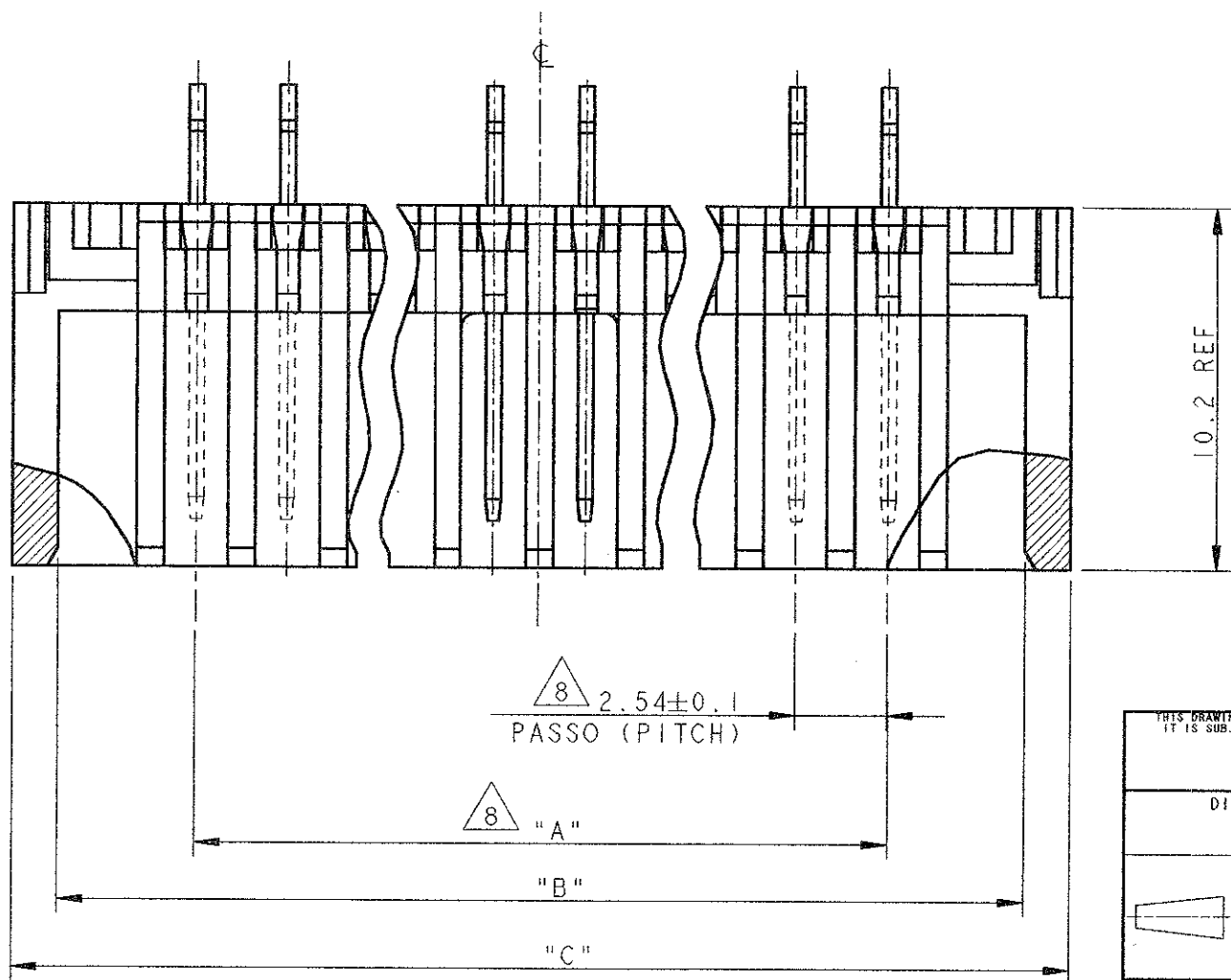
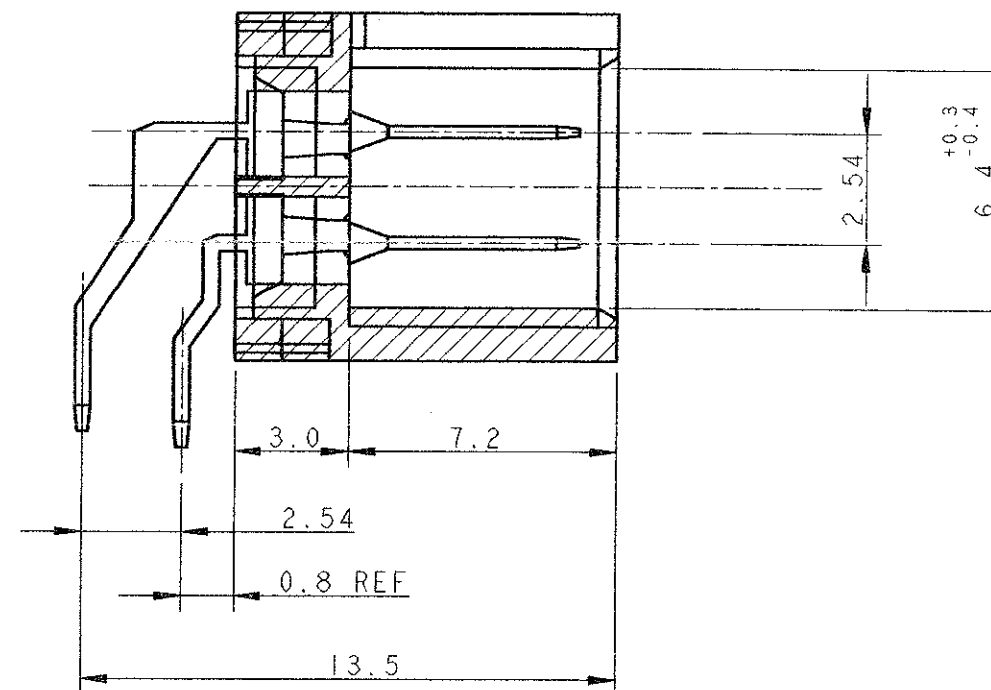
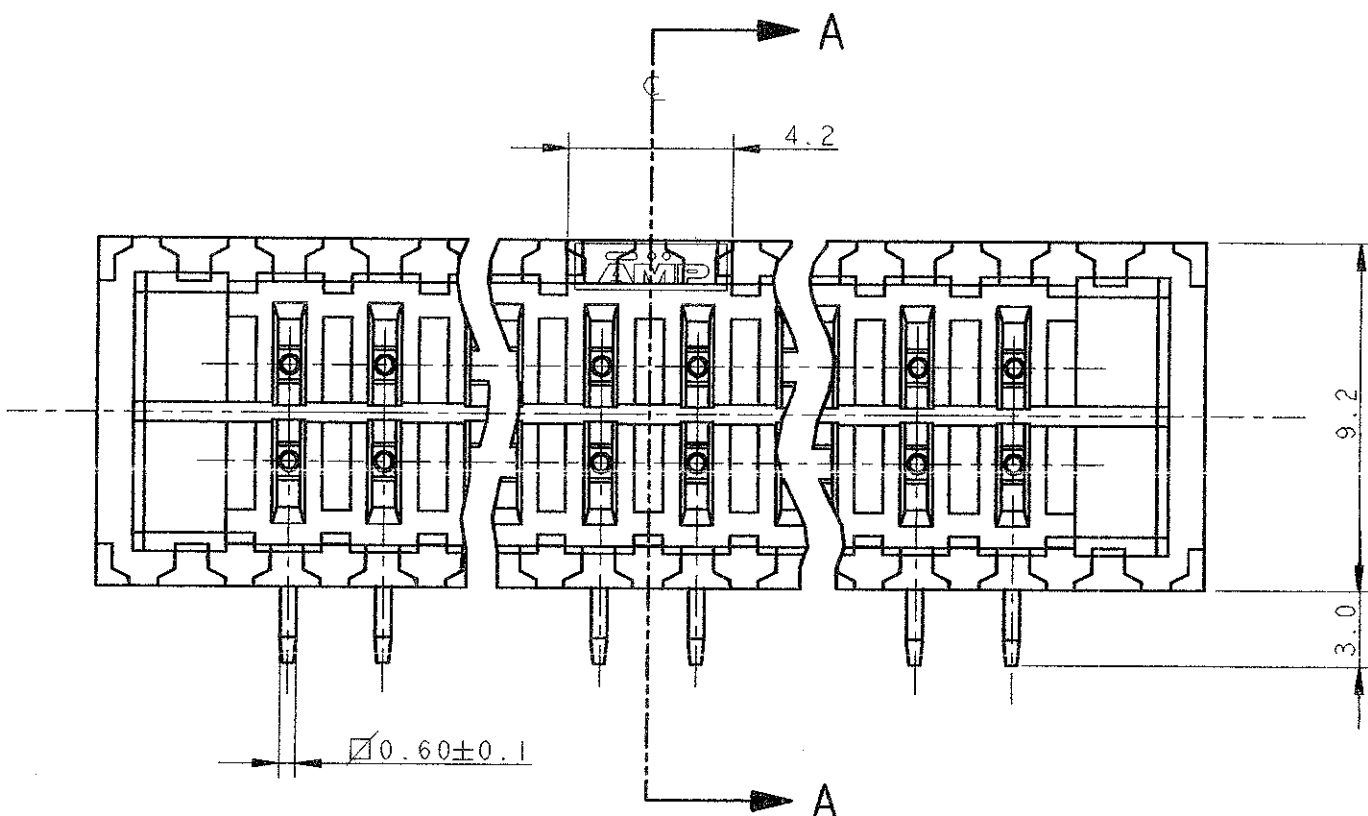


| P  | LTR | DESCRIPTION   | DATE      | OWN | APVD |
|----|-----|---|-----------|-----|------|
| N  |     | REVISED, EC ET00-0263-99                                    | 06 SEP 99 | RF  | CT   |
| P  |     | ADDED P/NS FROM 281279-3 TO 284361-3<br>PER EC ET00-0158-01 |           | RF  | CT   |
| PI |     | APPLIED NOTE 9 TO PN/S. -3 ET00-0294-01                     | 21 DEC 01 | GS  | CT   |

SECTION A-A



THIS DRAWING IS A CONTROLLED DOCUMENT FOR TYCO ELECTRONICS CORPORATION  
IT IS SUBJECT TO CHANGE AND THE CONTROLLING ENGINEERING ORGANIZATION  
SHOULD BE CONTACTED FOR THE LATEST REVISION.

DIMENSIONS:  
mm

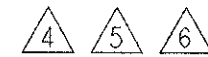
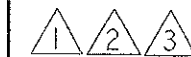
TOLERANCES UNLESS  
OTHERWISE SPECIFIED:  
±0.3



- 0 PLC ±
- 1 PLC ±
- 2 PLC ±
- 3 PLC ±
- 4 PLC ±
- ANGLES ±2°

MATERIAL

FINISH



DWN R. FABRIS 22JUL99

CHK C. TARTARI

APVD

PRODUCT SPEC

108-20038

APPLICATION SPEC

-

WEIGHT

-

CUSTOMER DRAWING



AMP Italia S.p.A.  
C.so F.lli Cervi 15 Collegno (TO)

AMP-LATCH  
POST SUPPORT ASS'Y 90°  
LOW PROFILE

SIZE CAGE CODE DRAWING NO RESTRICTED TO

A3 00779 C-281279

SCALE 5:1 SHEET 1 OF 2 REV PI

| POS. | N° VIE | AMP P/N  | REV. | DIM. 'A' | DIM. 'B' | DIM. 'C' |
|------|--------|----------|------|----------|----------|----------|
| 10   | 5x2    | 281279-5 | N    | 10.16    | 17.78    | 20.32    |
| 14   | 7x2    | 281280-5 | N    | 15.24    | 22.86    | 25.40    |
| 16   | 8x2    | 281281-5 | N    | 17.78    | 25.40    | 27.94    |
| 20   | 10x2   | 281282-5 | N    | 22.86    | 30.48    | 33.02    |
| 26   | 13x2   | 281283-5 | N    | 30.48    | 38.10    | 40.64    |
| 34   | 17x2   | 281284-5 | N    | 40.64    | 48.26    | 50.80    |
| 40   | 20x2   | 281285-5 | N    | 48.26    | 55.88    | 58.42    |
| 50   | 25x2   | 281286-5 | N    | 60.96    | 68.58    | 71.12    |
| 60   | 30x2   | 284361-5 | N    | 73.66    | 81.28    | 83.82    |

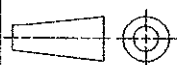
| POS. | N° VIE | AMP P/N  | REV. | DIM. 'A' | DIM. 'B' | DIM. 'C' |
|------|--------|----------|------|----------|----------|----------|
| 10   | 5x2    | 281279-2 | N    | 10.16    | 17.78    | 20.32    |
| 14   | 7x2    | 281280-2 | N    | 15.24    | 22.86    | 25.40    |
| 16   | 8x2    | 281281-2 | N    | 17.78    | 25.40    | 27.94    |
| 20   | 10x2   | 281282-2 | N    | 22.86    | 30.48    | 33.02    |
| 26   | 13x2   | 281283-2 | N    | 30.48    | 38.10    | 40.64    |
| 34   | 17x2   | 281284-2 | N    | 40.64    | 48.26    | 50.80    |
| 40   | 20x2   | 281285-2 | N    | 48.26    | 55.88    | 58.42    |
| 50   | 25x2   | 281286-2 | N    | 60.96    | 68.58    | 71.12    |
| -    | -      | -        | -    | -        | -        | -        |

| POS. | N° VIE | AMP P/N  | REV. | DIM. 'A' | DIM. 'B' | DIM. 'C' |
|------|--------|----------|------|----------|----------|----------|
| 10   | 5x2    | 281279-1 | N    | 10.16    | 17.78    | 20.32    |
| 14   | 7x2    | 281280-1 | N    | 15.24    | 22.86    | 25.40    |
| 16   | 8x2    | 281281-1 | N    | 17.78    | 25.40    | 27.94    |
| 20   | 10x2   | 281282-1 | N    | 22.86    | 30.48    | 33.02    |
| 26   | 13x2   | 281283-1 | N    | 30.48    | 38.10    | 40.64    |
| 34   | 17x2   | 281284-1 | N    | 40.64    | 48.26    | 50.80    |
| 40   | 20x2   | 281285-1 | N    | 48.26    | 55.88    | 58.42    |
| 50   | 25x2   | 281286-1 | N    | 60.96    | 68.58    | 71.12    |
| -    | -      | -        | -    | -        | -        | -        |

| POS. | N° VIE | AMP P/N  | REV. | DIM. 'A' | DIM. 'B' | DIM. 'C' |
|------|--------|----------|------|----------|----------|----------|
| 10   | 5x2    | 281279-3 | P    | 10.16    | 17.78    | 20.32    |
| 14   | 7x2    | 281280-3 | P    | 15.24    | 22.86    | 25.40    |
| 16   | 8x2    | 281281-3 | P    | 17.78    | 25.40    | 27.94    |
| 20   | 10x2   | 281282-3 | P    | 22.86    | 30.48    | 33.02    |
| 26   | 13x2   | 281283-3 | P    | 30.48    | 38.10    | 40.64    |
| 34   | 17x2   | 281284-3 | P    | 40.64    | 48.26    | 50.80    |
| 40   | 20x2   | 281285-3 | P    | 48.26    | 55.88    | 58.42    |
| 50   | 25x2   | 281286-3 | P    | 60.96    | 68.58    | 71.12    |
| 60   | 30x2   | 284361-3 | P    | 73.66    | 81.28    | 83.82    |

| P | LTR | DESCRIPTION      | DATE | DWN | APVD |
|---|-----|------------------|------|-----|------|
| - | -   | SEE SHEET 1 OF 2 | -    | -   | -    |

- 1 MATERIALE BLOCCHETTO: P.B.T. CARICATO VETRO, COLORE NERO  
(HOUSING MATERIAL: P.B.T. G.F. FILLED, BLACK COLOUR)
- 2 MATERIALE BLOCCHETTO: P.B.T. CARICATO VETRO, COLORE GRIGIO  
(HOUSING MATERIAL: P.B.T. G.F. FILLED, GRAY COLOUR)
- 3 MATERIALE CONTATTO: OTTONE  
(CONTACT MATERIAL: BRASS)
- 4 FINITURA CONTATTO: 0.76µm DI ORO SU NICKEL NELLA ZONA DI CONTATTO  
STAGNO SU NICKEL NELLA ZONA A SALDARE  
(CONTACT FINISH: 0.76µm OF GOLD OVER NICKEL ON CONTACT ZONE  
TIN OVER NICKEL ON SOLDER TAIL)
- 5 FINITURA CONTATTO: 0.38µm DI ORO SU NICKEL NELLA ZONA DI CONTATTO  
STAGNO SU NICKEL NELLA ZONA A SALDARE  
(CONTACT FINISH: 0.38µm OF GOLD OVER NICKEL ON CONTACT ZONE  
TIN OVER NICKEL ON SOLDER TAIL)
- 6 FINITURA CONTATTO: 0.20µm DI ORO SU NICKEL NELLA ZONA DI CONTATTO  
STAGNO SU NICKEL NELLA ZONA A SALDARE  
(CONTACT FINISH: 0.20µm OF GOLD OVER NICKEL ON CONTACT ZONE  
TIN OVER NICKEL ON SOLDER TAIL)
- 7 NON IN PRODUZIONE  
(NOT YET RELEASED IN PRODUCTION)
- 8 TOLLERANZA NON CUMULATIVA  
(NOT CUMULATIVE TOLERANCE)
- 9 QUESTO CONNETTORE E' APPROVATO E CERTIFICATO  
(THIS CONNECTOR IS APPROVED AND CERTIFIED)

|   |  |   |  |
|---|--|---|--|
| <p>THIS DRAWING IS A CONTROLLED DOCUMENT FOR TYCO ELECTRONICS CORPORATION<br/>IT IS SUBJECT TO CHANGE AND THE CONTROLLING ENGINEERING ORGANIZATION<br/>SHOULD BE CONTACTED FOR THE LATEST REVISION.</p> |  | <p>DWN R. FABRIS 22 JUL 99</p> <p>CHK -</p> <p>APVD C. TARTAR</p>     | <p><b>tyco</b><br/><b>Electronics</b></p> <p>AMP Italia S.p.A.<br/>C.so F.lli Cervi 15 Collegno (TO)</p>       |
| <p>DIMENSIONS:<br/>mm</p>    | <p>TOLERANCES UNLESS OTHERWISE SPECIFIED:</p> <p>0 PLC ±</p> <p>1 PLC ±</p> <p>2 PLC ±</p> <p>3 PLC ±</p> <p>4 PLO ±</p> <p>ANGLES ±2°</p> | <p>NAME</p> <p>PRODUCT SPEC</p> <p>APPLICATION SPEC</p> <p>WEIGHT</p> | <p>AMP-LATCH<br/>POST SUPPORT ASS'Y 90°<br/>LOW PROFILE</p> <p>SIZE A3 CAGE CODE 00779 DRAWING NO C=281279</p> |
| <p>MATERIAL</p>   | <p>FINISH</p>  | <p>CUSTOMER DRAWING</p>   | <p>RESTRICTED TO</p> <p>SCALE 5:1 SHEET 2 OF 2 REV PI</p>  |