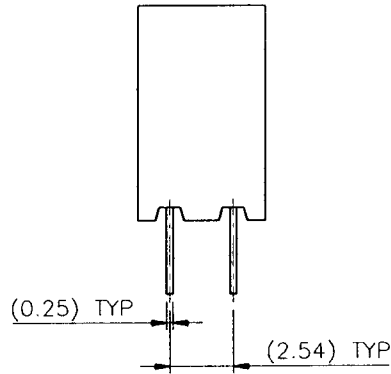
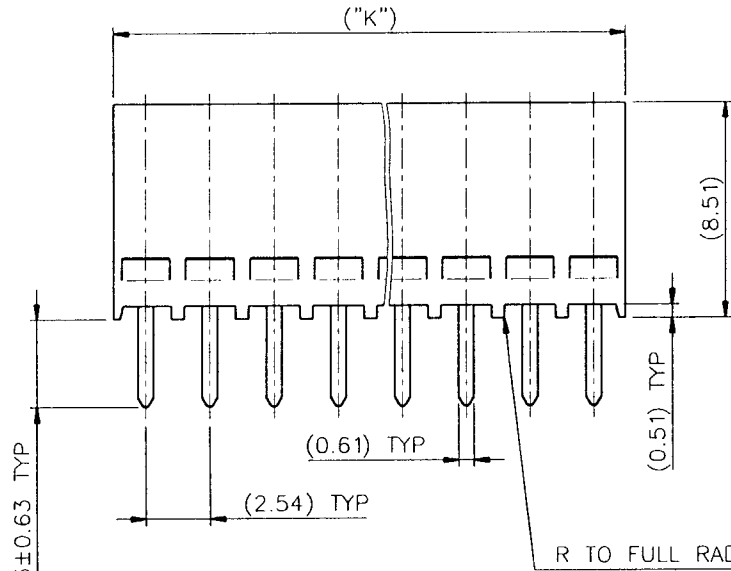
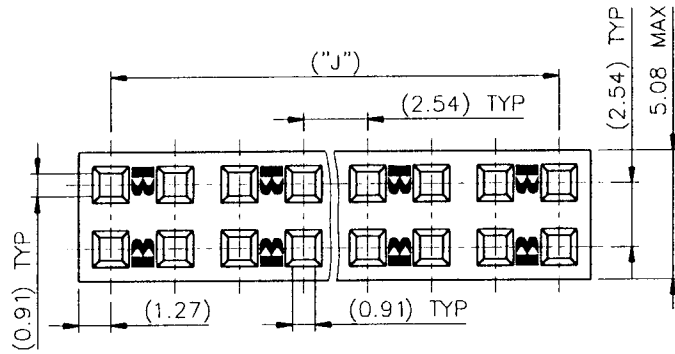


PRODUCT NUMBER	DIM "J"	DIM "K"
76314-XXX	SEE NEXT SHEET	



NOTES:

- 1 MATERIAL HOUSING: THERMOPLASTIC POLYESTER 30 % GLASS FILLED, COLOUR BLUE, FLAME RETARDANT PER UL 94-V0
- 2 MATERIAL BOX: BRASS ASTM B36 C26000-H02
- 3 MATERIAL SPRING: BERYLLIUM COPPER ASTM B 194 C 17200-TF 00
- 4 PLATING: SEE NEXT SHEET

All rights reserved. Reproduction or use in any form without the prior written permission of the manufacturer is prohibited.

All rights reserved. Reproduction or use in any form without the prior written permission of the manufacturer is prohibited.

BERG
ELECTRONICS

mat'l code SEE NOTES				tolerances unless otherwise specified		CUSTOMER COPY		BERG ELECTRONICS	
lir	ecm no	dr	date	linear		projection	litr	V. C. C.	
C	F40751	PNZ	94.10.12			mm		DOUBLE ROW .100x.100	
D	F60062	OMA	96.01.29	angles		scale	product family	BERGCON	code
E	V60456	OMA	96.03.11			5:1	size	dwg no	213
				dr	O. MATHEVON	96.01.29	A3	76314	sheet
				engr	AESCHBACHER	96.01.29			1 of 2
				chr	O. MATHEVON	96.01.29			
				appd	M. AE	96.01.29			
sheet index	revision	E	E						
	sheet	1	2						

PRODUCT NUMBER	NBR OF POS	DIM "J"	DIM "K"
76314-X02	2x02	(2.54)	(5.08)
76314-X03	2x03	(5.08)	(7.62)
76314-X04	2x04	(7.62)	(10.16)
76314-X05	2x05	(10.16)	(12.70)
76314-X06	2x06	(12.70)	(15.24)
76314-X07	2x07	(15.24)	(17.78)
76314-X08	2x08	(17.78)	(20.32)
76314-X09	2x09	(20.32)	(22.86)
76314-X10	2x10	(22.86)	(25.40)
76314-X11	2x11	(25.40)	(27.94)
76314-X12	2x12	(27.94)	(30.48)
76314-X13	2x13	(30.48)	(33.02)
76314-X14	2x14	(33.02)	(35.56)
76314-X15	2x15	(35.56)	(38.10)
76314-X16	2x16	(38.10)	(40.64)
76314-X17	2x17	(40.64)	(43.18)
76314-X18	2x18	(43.18)	(45.72)
76314-X19	2x19	(45.72)	(48.26)
76314-X20	2x20	(48.26)	(50.80)
76314-X21	2x21	(50.80)	(53.34)
76314-X22	2x22	(53.34)	(55.88)
76314-X23	2x23	(55.88)	(58.42)
76314-X24	2x24	(58.42)	(60.96)
76314-X25	2x25	(60.96)	(63.50)

PRODUCT NUMBER	NBR OF POS	DIM "J"	DIM "K"
76314-X26	2x26	(63.50)	(66.04)
76314-X27	2x27	(66.04)	(68.58)
76314-X28	2x28	(68.58)	(71.12)
76314-X29	2x29	(71.12)	(73.66)
76314-X30	2x30	(73.66)	(76.20)
76314-X31	2x31	(76.20)	(78.74)
76314-X32	2x32	(78.74)	(81.28)
76314-X33	2x33	(81.28)	(83.82)
76314-X34	2x34	(83.82)	(86.36)
76314-X35	2x35	(86.36)	(88.90)
76314-X36	2x36	(88.90)	(91.44)
76314-X37	2x37	(91.44)	(93.98)
76314-X38	2x38	(93.98)	(96.52)
76314-X39	2x39	(96.52)	(99.06)
76314-X40	2x40	(99.06)	(101.60)
76314-X41	2x41	(101.60)	(104.14)
76314-X42	2x42	(104.14)	(106.68)
76314-X43	2x43	(106.68)	(109.22)
76314-X44	2x44	(109.22)	(111.76)
76314-X45	2x45	(111.76)	(114.30)
76314-X46	2x46	(114.30)	(116.84)
76314-X47	2x47	(116.84)	(119.38)
76314-X48	2x48	(119.38)	(121.92)
76314-X49	2x49	(121.92)	(124.46)
76314-X50	2x50	(124.46)	(127.00)

2	1.0 μ m Au	0.2 μ m Au	1.3 μ m Ni
1	0.76 μ m Au	0.05 μ m Au	1.3 μ m Ni
PLATING CODE X	PLATING THICKNESS CONTACT AREA	PLATING THICKNESS REMAINDER	THICKNESS UNDER PLATING

mat'l code SEE TABLE		tolerances unless otherwise specified		CUSTOMER COPY		BERG ELECTRONICS					
itr	ecn no	dr	date	linear	projection	title V. C. C.					
C	F40751	PNZ	94.10.12			DOUBLE ROW .100x.100					
D	F60062	OMA	96.01.30	angles		product family	BERGCON	code			
E	V60456	OMA	96.03.11		mm	size	dwg no				
				dr	O. MATHEVON	96.01.30	scale	A3	76314	sheet	213
				engr	AESCHBACHER	96.01.30	N/A			2 of	
				chr	O. MATHEVON	96.01.30					
				appd	M. AE	96.01.30					
sheet index	revision sheet										