

PRODUCT NUMBER
76341-YXXXLF

WHEN NEEDED, SUFFIX LETTER "LF"
INDICATES THE PRODUCT IS RoHS
COMPATIBLE, SEE NOTE 5.

OPTIONAL LETTER
H: HIGH TEMPERATURE PRODUCT.

NUMBER OF POSITIONS: 02 TO 50.

PLATING CODE

3= 0.76µm GOLD ON CONTACT AREA.

3.81µm TIN-LEAD ON TAIL.

4= 5µm TIN-LEAD ON CONTACT AREA.

3.81µm TIN-LEAD ON TAIL.

WHEN SUFFIX "LF" IS REQUIRED, 2µm MIN MATTE
TIN OVER 1.27 MIN Ni IS SUPPLIED INSTEAD OF SnPb.

NOTES:

- 1 - HOUSING MAT'L: THERMOPLASTIC GLASS FILLED
FLAME RETARDANT PER UL 94 V-0
LOW TEMPERATURE: COLOR BLUE
HIGH TEMPERATURE: COLOR GREY.
- 2 - TERMINAL MATERIAL: PHOSPHOR BRONZE.
- 3 - 2 UP TO 4 POSITIONS PRODUCT PACKED IN PLASTIC BOX.
5 UP TO 50 POSITIONS PRODUCT PACKED IN TUBE.

4 - TO DETERMINE DIMENSIONS:

N = NUMBER OF POSITIONS

EXAMPLE: 8 POS: $(N \times 2.54) - 0.08 = 20.24$ mm

5 - RoHS COMPATIBLE PRODUCT SPECIFICATIONS

a - PLATING:

- "LF" MEANS THE PRODUCT IS LEAD-FREE,
2µm MINIMUM MATTE TIN OVER 1.27µm
MINIMUM NICKEL UNDERPLATE.

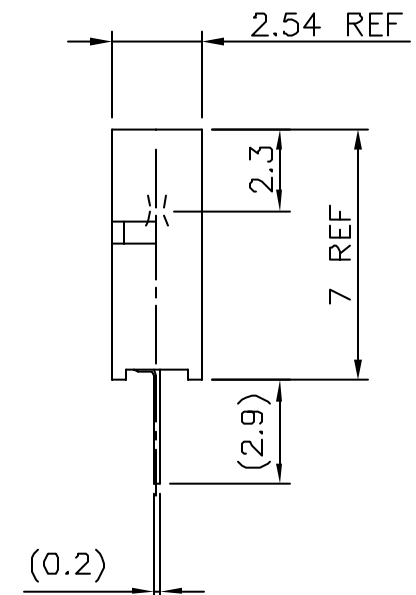
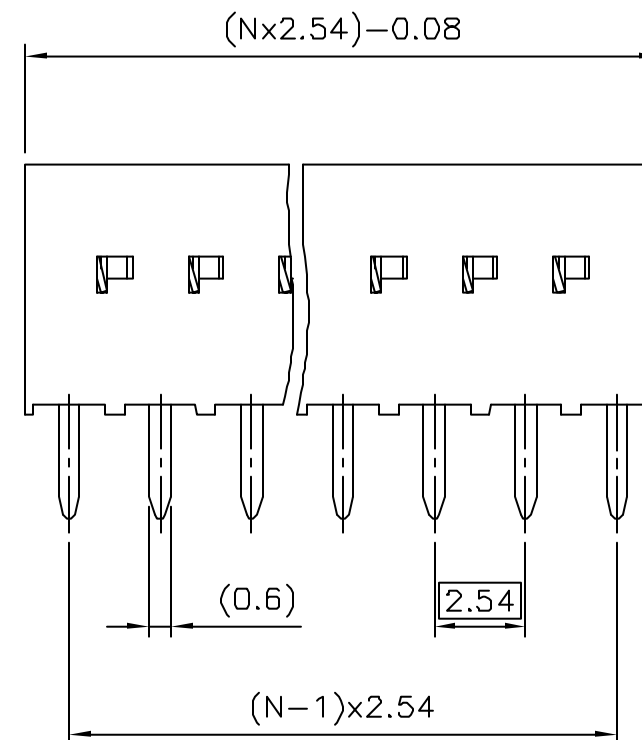
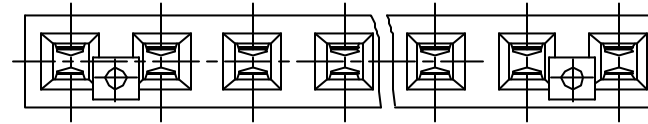
b - MANUFACTURING PROCESS COMPATIBILITY

- THE HOUSING WILL WITHSTAND EXPOSURE TO
260°C ±5°C SOLDER BATH TEMPERATURE FOR
5 SECONDS IN A WAVE SOLDER APPLICATION
WITH A 1.6mm MIN THICK CIRCUIT BOARD.

c - LABELING:

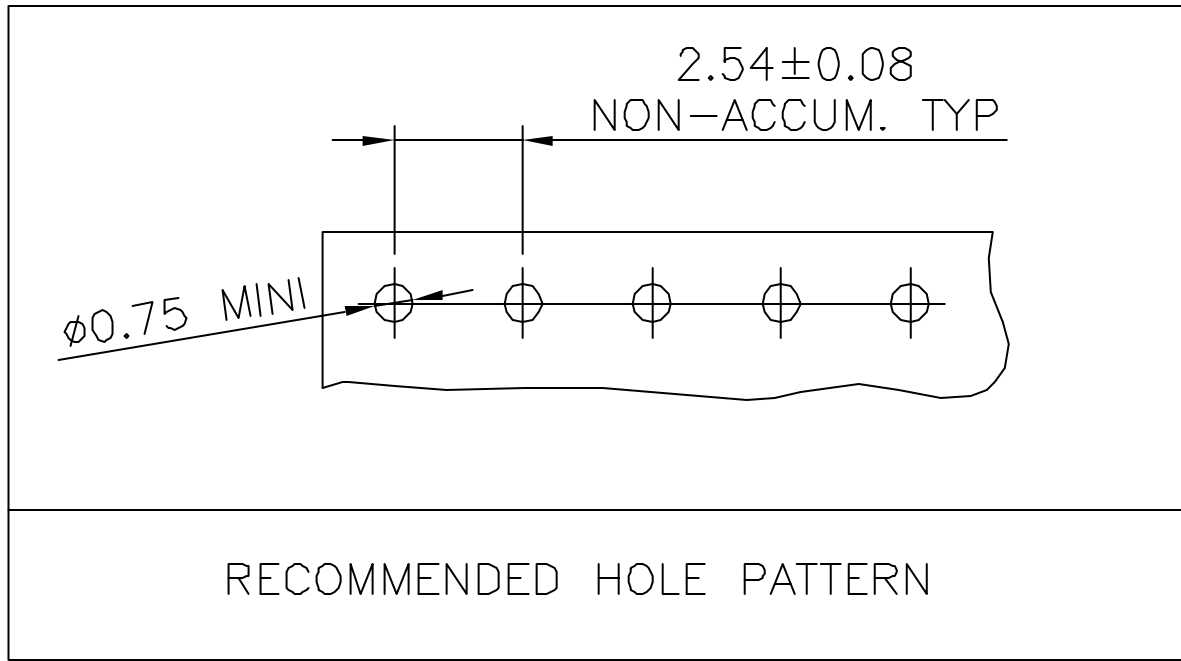
- MEETS PACKAGING SPECS AS PER GS-14-920

d - LEGAL STATEMENT: SEE GS-22-008



mat'l. code				surface		tolerance		projection		product family	
SEE NOTES				ISO 1302		ISO 406 ISO 1101		mm		DUBOX	
ltr	ecn na	dr	date	tolerances unless otherwise specified		±0.3		mm		title	
G	F10030	PVA	91.02.26	angles		Linear		mm		BtB RECEPT. VERT SR TMT	
H	F60711	PNZ	96.10.11	±2'				scale 5:1		dwg no	
J	F80115	PNZ	98.01.22							sheet 1 of 2	
K	F10110	GCO	01.01.16	dr	D LEGRAND	04.09.27		FCJ		size	
L	F03-0284	DLE	03.10.07	enr	P NIZZI	04.09.27				76341	
M	F04-0347	DLE	04.09.27	chr	D LEGRAND	04.09.27				A3	
N	F06-0204	DLE	06.06.20	appd	P NZ	04.09.27				type	
sheet		revision		N		B				CUSTOMER Drawing	
index		sheet		1		2					

1 2



A
B
C
D

A
B
C
D



FCIconnect.com

Copyright FCI

mat'l. code SEE SHEET 1				surface ISO 1302 ✓		tolerance ISO 406 ISO 1101		projection 		product family DUBOX			
ltr				ecn no		dr		date		title			
A		F04-0347		DLE		04.09.27		tolerances unless otherwise specified		BtB RECEPT. VERT SR TMT			
B		F06-0204		DLE		06.06.20		angles linear		±0.3		scale 5:1	
								±2'		mm		dwg no	
								dr		D LEGRAND		sheet 2 of 2	
								engr		P NIZZI		size	
								chr		D LE		A4	
								appd		P NZ		type	
sheet index		revision sheet										CUSTOMER Drawing	

form: A4

1

2