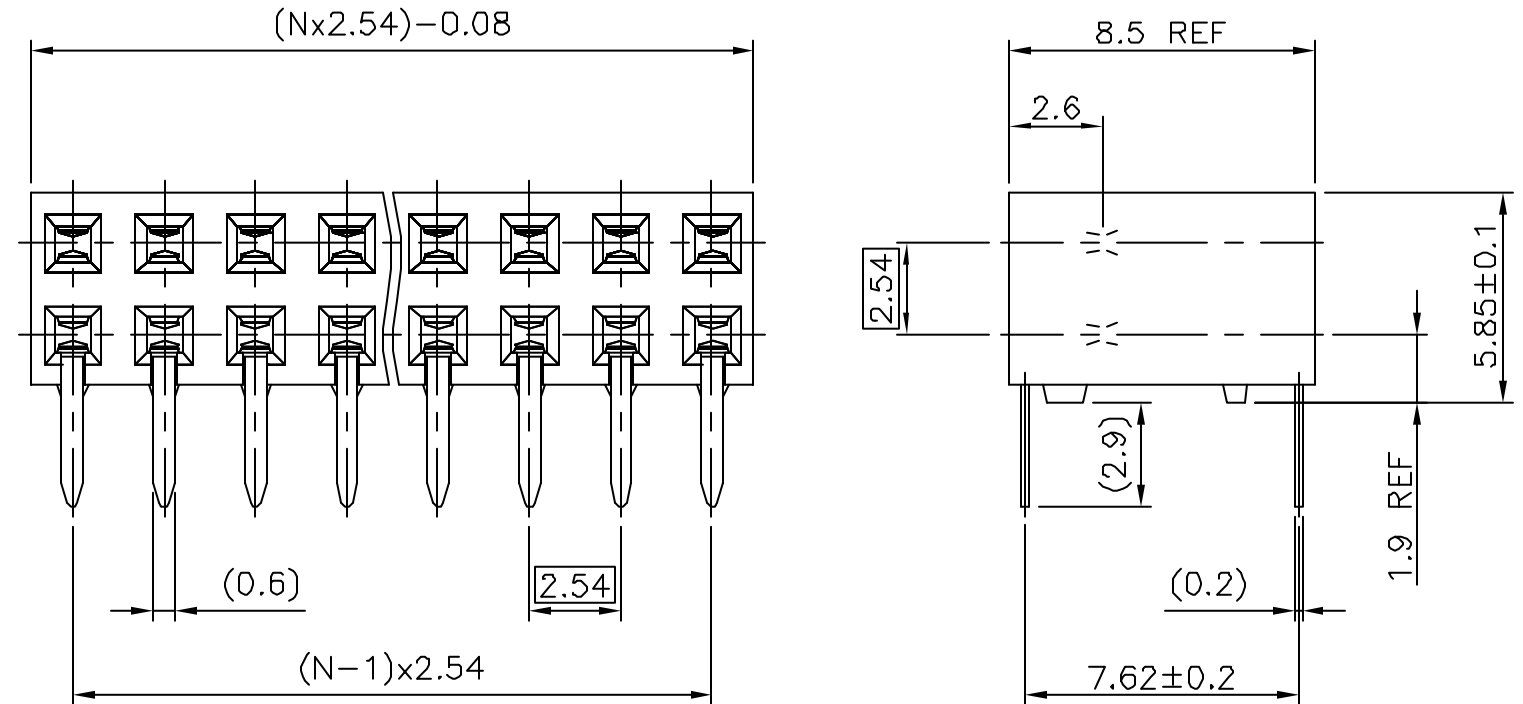


PRODUCT NUMBER  
89883-YXXXLF

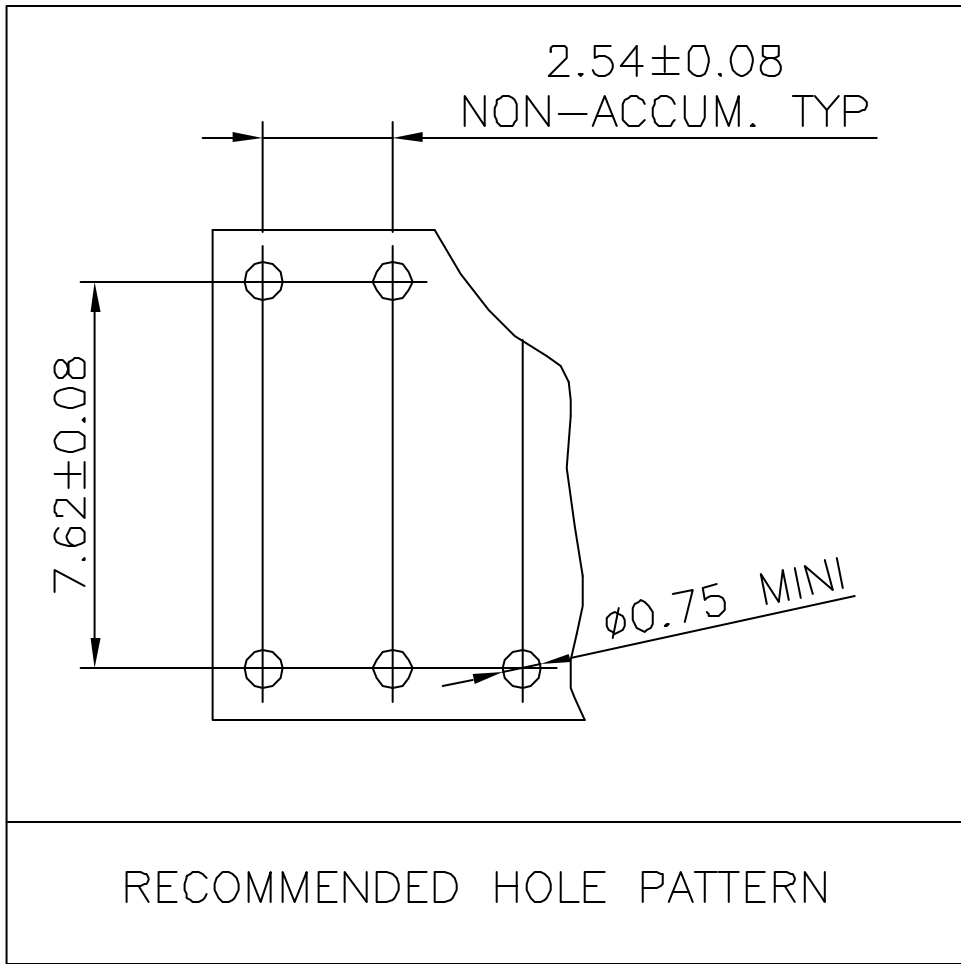
WHEN NEEDED, SUFFIX LETTER "LF"  
INDICATES THE PRODUCT IS RoHS  
COMPATIBLE, SEE NOTE 5.  
OPTIONAL LETTER  
H: HIGH TEMPERATURE PRODUCT.  
NUMBER OF POSITIONS PER ROW: 02 TO 65.  
PLATING CODE  
3= 0.76µm GOLD ON CONTACT AREA.  
3.81µm TIN-LEAD ON TAIL.  
4= 5µm TIN-LEAD ON CONTACT AREA.  
3.81µm TIN-LEAD ON TAIL.  
WHEN SUFFIX "LF" IS REQUIRED, 2µm MIN MATTE  
TIN OVER 1.27 MIN Ni IS SUPPLIED INSTEAD OF SnPb.

NOTES:

- 1 - HOUSING MAT'L: THERMOPLASTIC GLASS FILLED  
FLAME RETARDANT PER UL 94 V-0.  
LOW TEMPERATURE: COLOR BLUE.  
HIGH TEMPERATURE: COLOR GREY.
- 2 - TERMINAL MATERIAL: PHOSPHOR BRONZE.
- 3 - 2 UP TO 4 POSITIONS PRODUCT PACKED IN PLASTIC BOX.  
5 UP TO 65 POSITIONS PRODUCT PACKED IN TUBE.
- 4 - TO DETERMINE DIMENSIONS:  
N = NUMBER OF POSITIONS PER ROW  
EXAMPLE: 8 POS:  $(N \times 2.54) - 0.08 = 20.24$  mm.
- 5 - RoHS COMPATIBLE PRODUCT SPECIFICATIONS
  - a - PLATING:
    - "LF" MEANS THE PRODUCT IS LEAD-FREE,  
2µm MINIMUM MATTE TIN OVER 1.27µm  
MINIMUM NICKEL UNDERPLATE.
  - b - MANUFACTURING PROCESS COMPATIBILITY
    - THE HOUSING WILL WITHSTAND EXPOSURE TO  
260°C ±5°C SOLDER BATH TEMPERATURE FOR  
5 SECONDS IN A WAVE SOLDER APPLICATION  
WITH A 1.6mm MIN THICK CIRCUIT BOARD.
  - c - LABELING:
    - MEETS PACKAGING SPECS AS PER GS-14-920
  - d - LEGAL STATEMENT: SEE GS-22-008



mat'l. code				surface		tolerance		projection		product family	
SEE NOTES				ISO 1302		ISO 406 ISO 1101		mm		DUBOX	
ltr	ecn na	dr	date	tolerances unless otherwise specified		±0.3		mm		title	
C	F60362	PNZ	96.05.20	angles		linear		mm		BtB RECEPT. HORIZ DR TMT	
D	F60461	PNZ	96.06.20	±2'				scale 5:1		dwg no	
E	F70454	PNZ	97.06.23					FCJ		sheet 1 of 2	
F	F10110	GCO	01.01.16	dr	D LEGRAND	04.09.28				size	
G	F04-0347	DLE	04.09.28	enr	P NIZZI	04.09.28				89883	
H	F06-0204	DLE	06.06.21	chr	D LEGRAND	04.09.28				A3	
				appd	P NZ	04.09.28				type	
										CUSTOMER Drawing	
sheet index	revision sheet	H	B								
		1	2								



**FCI**  
FCIconnect.com

Copyright FCI

mat'l. code SEE SHEET 1				surface ISO 1302 ✓		tolerance ISO 406 ISO 1101		projection 		product family DUBOX				
Ltr				ecn no		dr		date		title				
A				F04-0347		DLE		04.09.28		BtB RECEPT. HORIZ DR TMT				
B				F06-0204		DLE		06.06.21						
				angles		linear		±0.3		mm				
				±2'						scale 5:1				
				dr		D LEGRAND		04.09.28		dwg no		sheet 2 of 2		size
				enr		P NIZZI		04.09.28				89883		A4
				chr		D LE		04.09.28						
				appd		P NZ		04.09.28		type		CUSTOMER		Drawing
sheet index		revision sheet												