

1

2 3

4

5

6

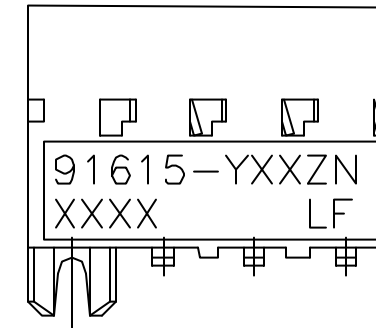
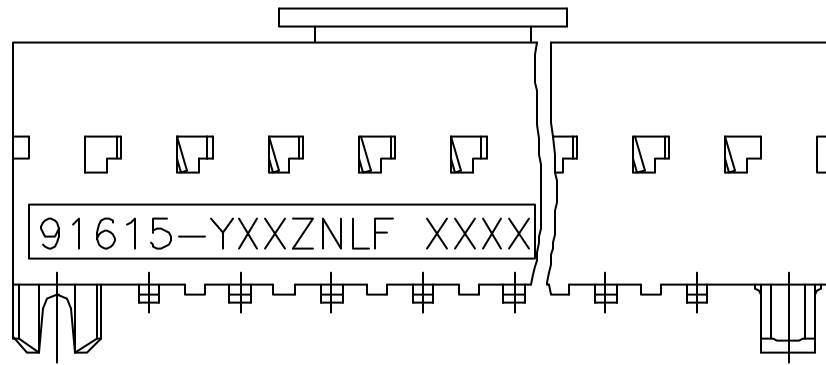
PRODUCT NUMBER
91615-YXXZNLF

WHEN NEEDED, SUFFIX LETTER "LF"
INDICATES THE PRODUCT IS RoHS
COMPATIBLE, SEE NOTE 7

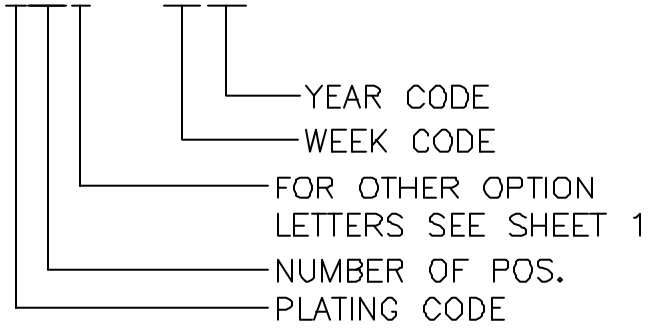
APPLICATION SPECIFIC

PRINTING METHOD FOR 91615-Y07 UP TO -Y50
MARKING: PART NUMBER AND DATE CODE

PRINTING METHOD FOR 91615-Y03 UP TO -Y07



91615-YXXZNLF XXXX



Copyright FCI

mat'l. code				surface ISO 1302 <input checked="" type="checkbox"/>		tolerance ISO 406 ISO 1101		projection 		product family DUBOX	
Ltr	ecn no	dr	date	tolerances unless otherwise specified		±0.3		mm		title BtB RECEPT. VERT DR SMT	
A	F10379	DLE	01.07.23	angles	Linear			scale N/A		dwg no 91615	
B	F04-0347	DLE	04.11.10							sheet 2 of - A3	
C	F06-0137	DLE	06.02.27	±2'						type CUSTOMER Drawing	
D	F06-0204	DLE	06.06.23	dr	D.LE	01.07.23					
				enr	P.NZ	01.07.23					
				chr	P.NZ	01.07.23					
				appd	JF.N	01.07.23					
sheet index	revision sheet										

1

2

3

4

5

6

1

2 3

4

5

6

A

B

C

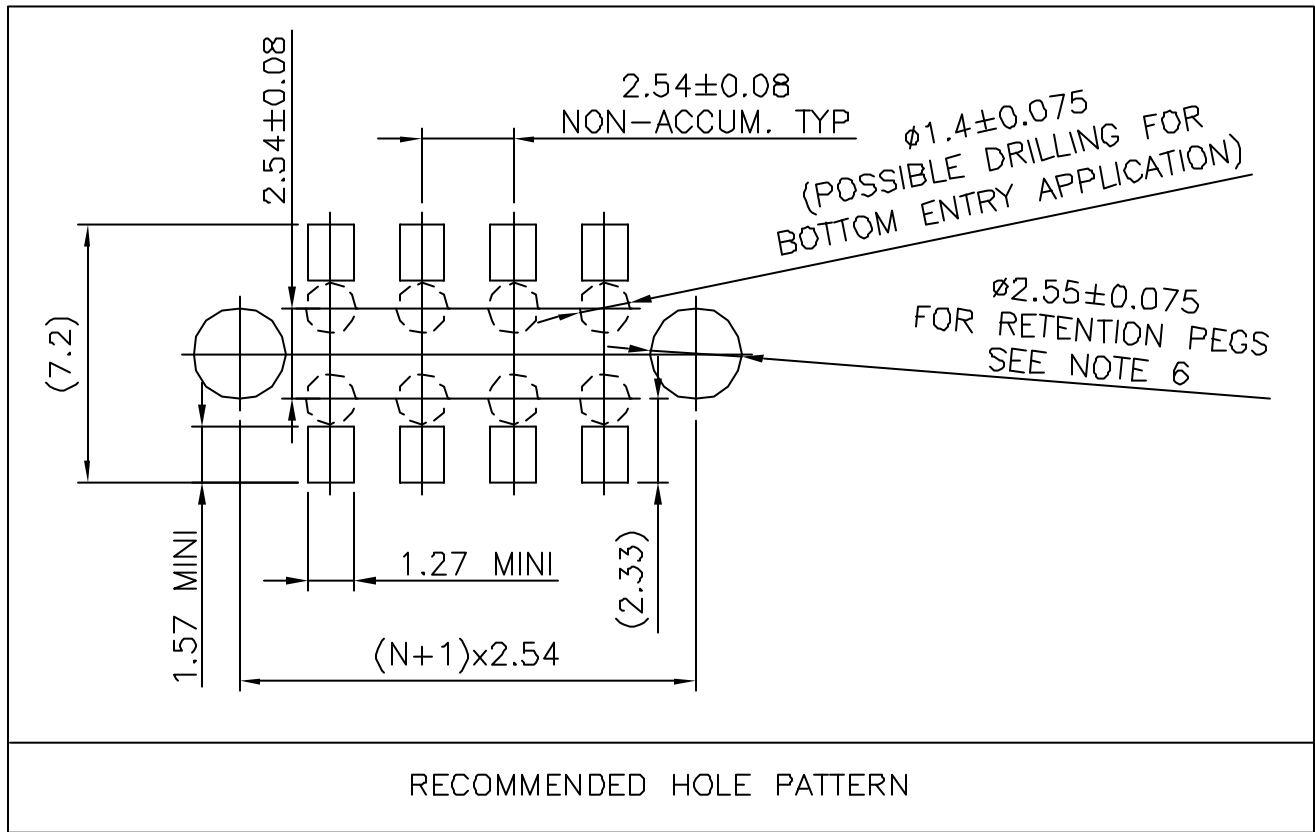
D

A

B

C

D



Copyright FCI

mat'l. code				surface ISO 1302 ✓		tolerance ISO 406 ISO 1101		projection mm		product family DUBOX			
ltr				ecn no		dr		date		tolerances unless otherwise specified		title	
A				F04-0347		DLE		04.11.10		±0.3		BtB RECEPT. VERT DR SMT	
B				F06-0204		DLE		06.06.23		Linear			
										scale N/A		sheet 3 of -	
										FCI		size A3	
												dwg no 91615	
												type CUSTOMER Drawing	
sheet index		revision sheet											