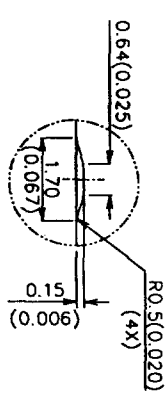
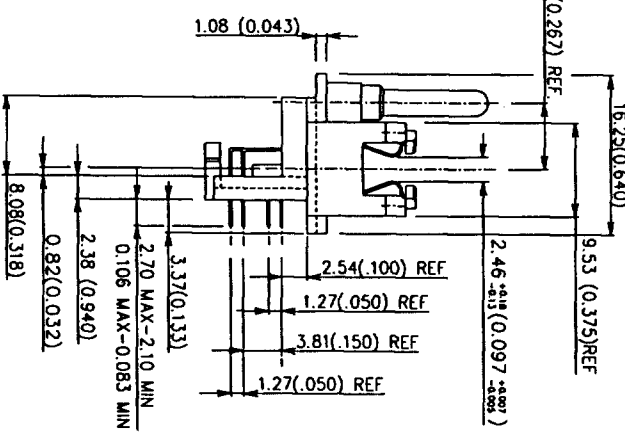
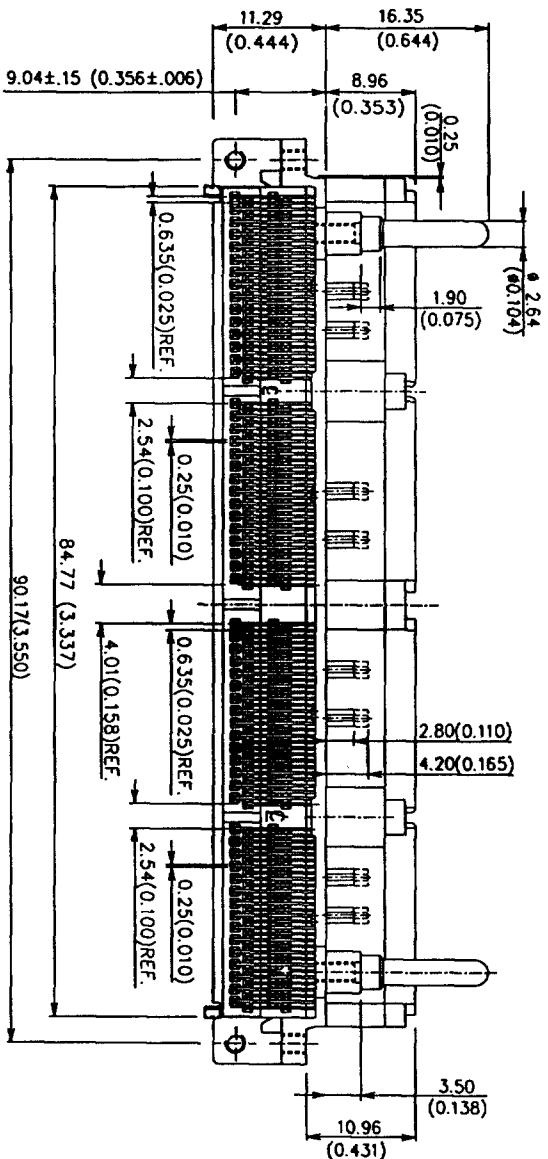
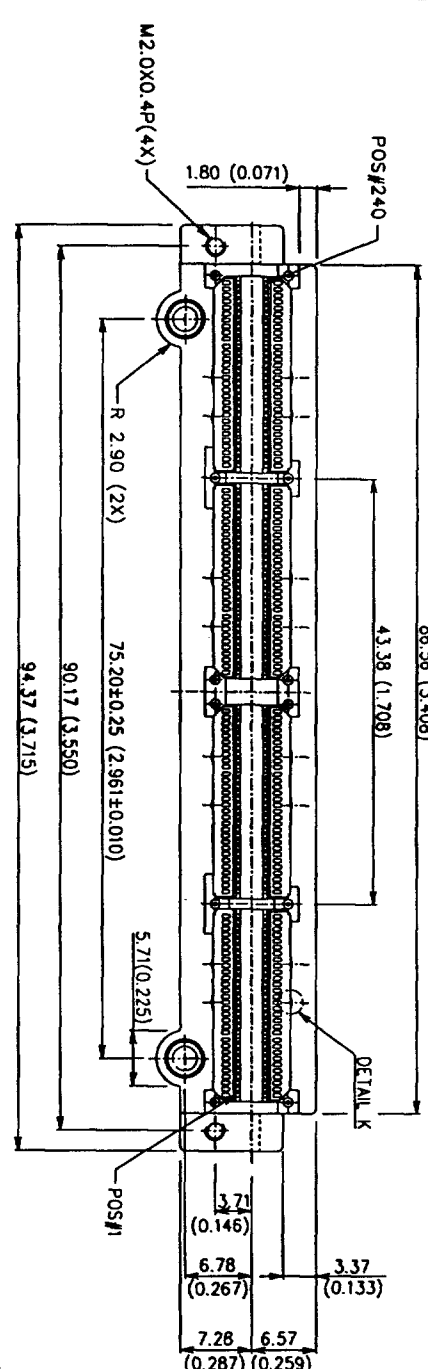


PRODUCT NO.  
94768-001



Rev	ECN no	dir	date	tolerances unless otherwise specified	CUSTOMER COPY	title	product family	code
K	1000772	TAI	03/13/00	xx ± 0.3	projection	MICROPAX RECEPT R/A	MICROPAX	
D	1502853	W.L	10/03/95	xxx ± 0.05	MM/INCH	240P		
E	1503352	W.L	11/23/95	±	scale			
F	1600002	W.L	01/03/98					
G	160068	W.L	02/27/98					
H	160431	LS	10/23/98					
J	180333	pp	07/30/98					

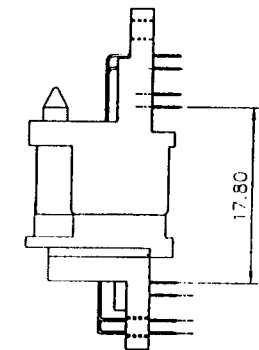
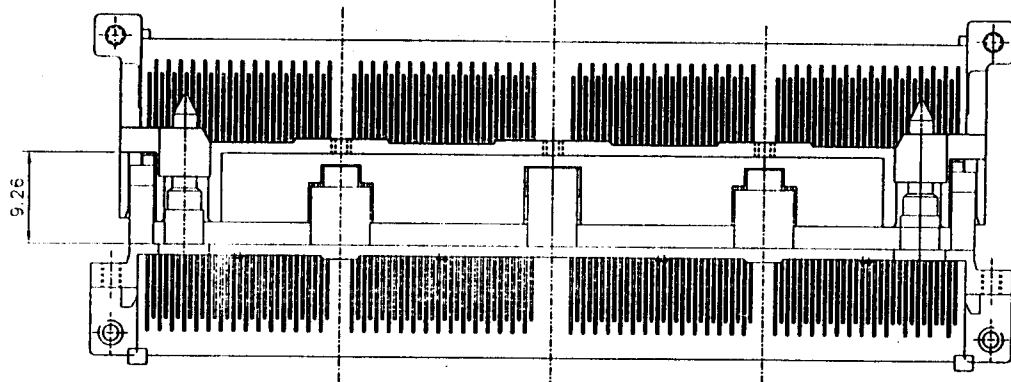
Form no. 330-001-001



THIS DRAWING IS THE PROPERTY OF BERG ELECTRONICS, INC. IT IS TO BE KEPT IN CONFIDENCE AND NOT TO BE REPRODUCED OR TRANSMITTED IN ANY FORM OR BY ANY MEANS, ELECTRONIC OR MECHANICAL, INCLUDING PHOTOCOPYING, RECORDING, OR BY ANY INFORMATION STORAGE AND RETRIEVAL SYSTEM, WITHOUT THE WRITTEN PERMISSION OF BERG ELECTRONICS, INC.

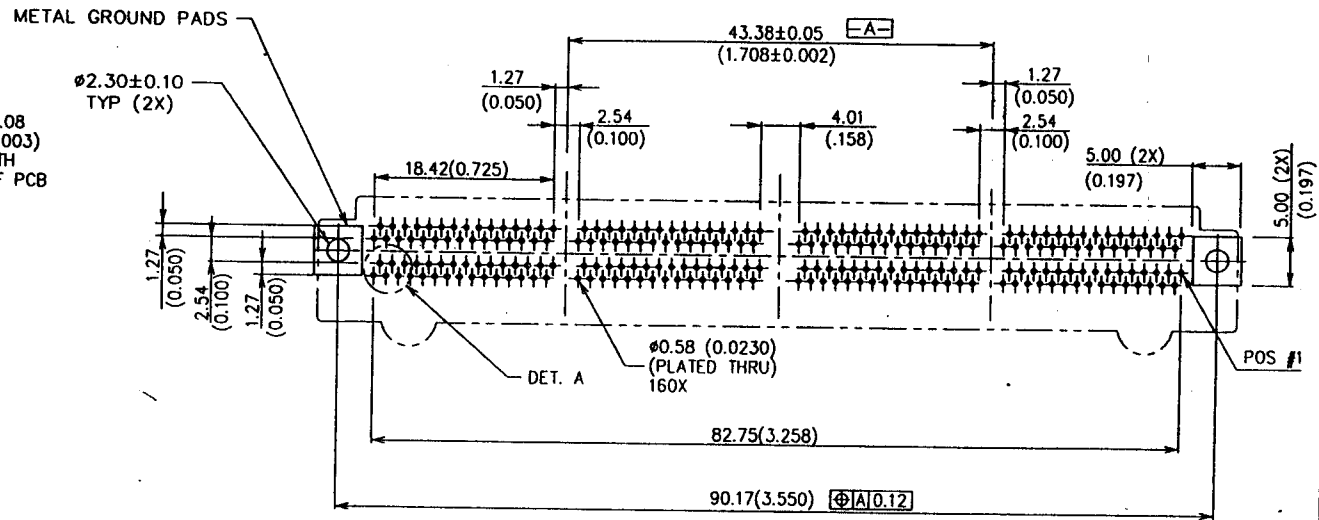
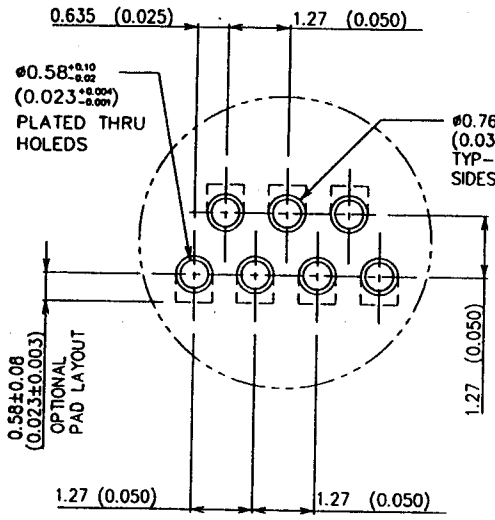
BERG ELECTRONICS, INC.

ALL DIMENSIONS ARE IN MILLIMETERS UNLESS OTHERWISE SPECIFIED. DIMENSIONS IN PARENTHESES ARE FOR INFORMATION ONLY.



mat'l. code				tolerances unless otherwise specified		CUSTOMER COPY		BERG ELECTRONICS	
ltr	ecn no	dr	date	linear	.0± / .00±	projection	title		
A					.00± / .000±		MICROPAX RECEPT R/A 240P		
				angles	±		product family	code	
				dr	CATHY LIN 12/12/94	MM/INCH	size	dwg no	sheet
				enr	PAUL WANG 12/12/94	scale	A3	94768	3of
				chr	PAUL WANG 12/12/94				
				appd	D K WANG 12/12/94				
sheet	revision								
index	sheet								

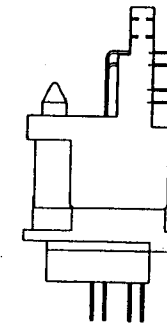
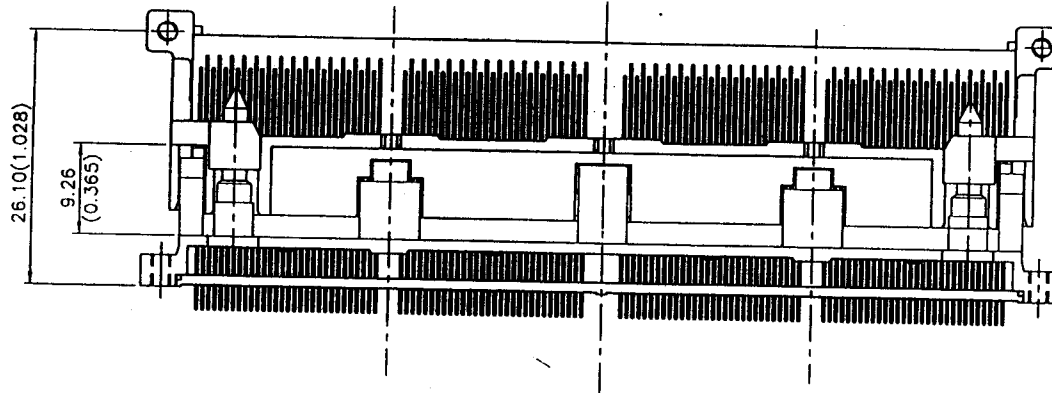




NOTE:

1. ALL BOARD HOLES ARE  $\text{Ø}0.15/0.006\text{M}$
2. MATERIAL :
  - METAL FRAME : ZINC ALLOY#3
  - INSULATOR : HIGH TEMPERATURE ENGINEERING PLASTIC
  - CONTACT : BeCu -THK-.254 (.0100)
3. PLATING :
  - SOLDER TAILS : 150 $\mu$ "/3.81 $\mu$ m SNPB
  - CONTACT PLATING : UNDERPLATING NICKEL 50 $\mu$ " OVERALL  
GXT IN CONTACT AREA 30 $\mu$ "/.76 $\mu$ m.
4. FRAME : 100 $\mu$ m-in OVERALL COPPER.

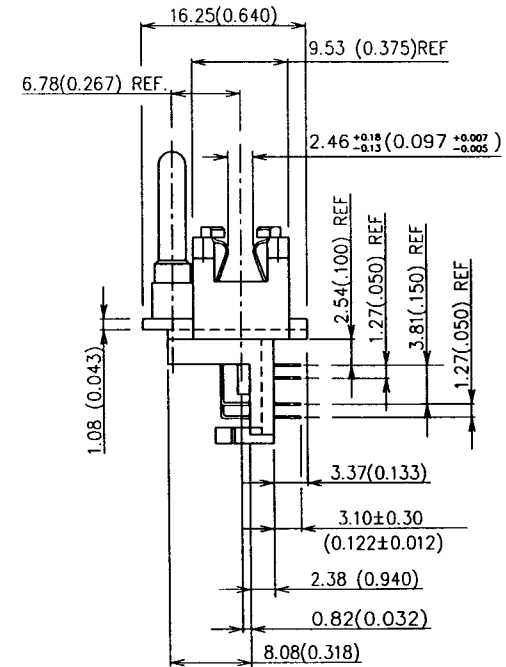
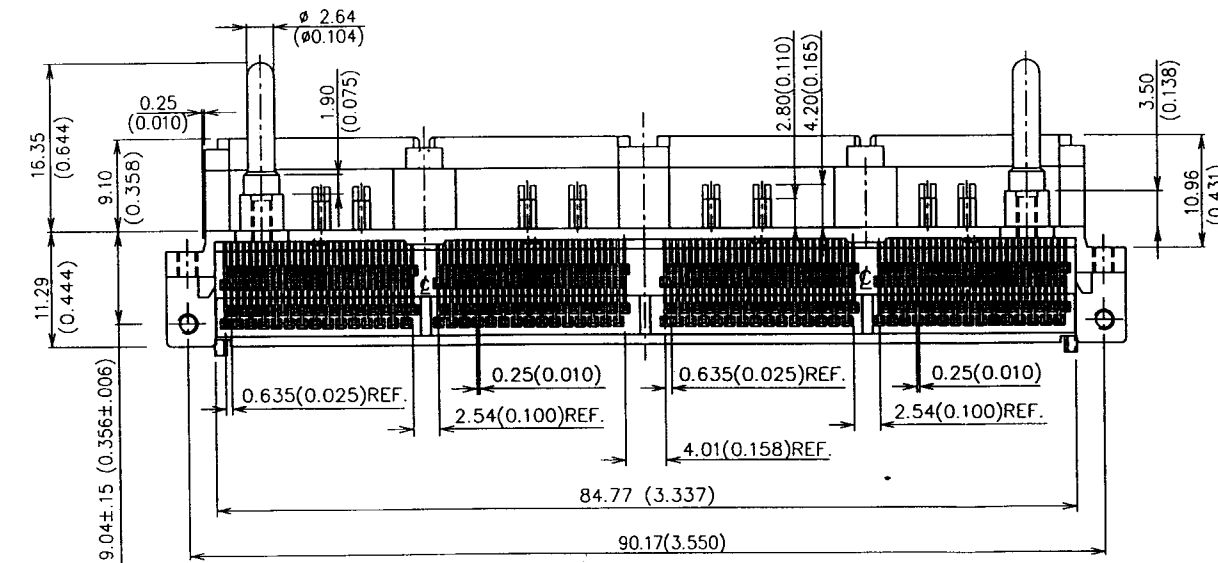
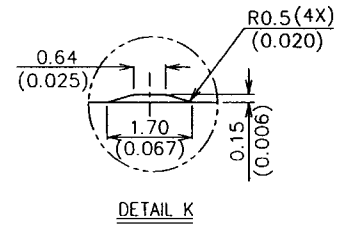
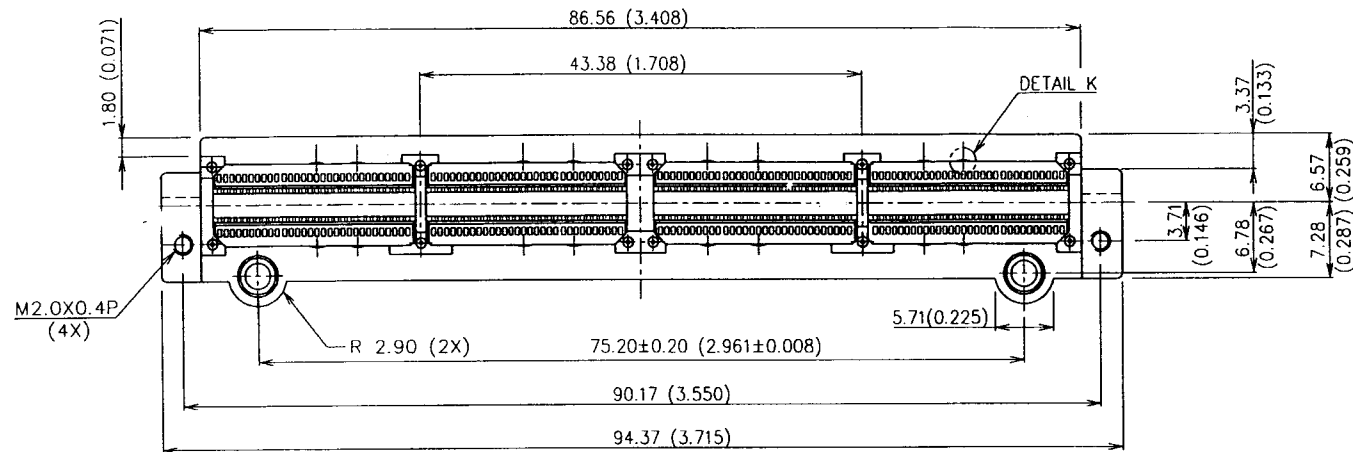
mat'l. code		tolerances unless otherwise specified		CUSTOMER COPY	<b>BERG</b> ELECTRONICS
ltr	ecr no	dr	date	projection	
B	T50150	W L	06/05/95	linear	title
				angles	MICROPAX RECEIPT STR 240P
				dr: WENDY CHEN 05/24/95	product family
				enr: PAUL WANG 05/24/95	size
				chr: PAUL WANG 05/24/95	94768
				appd: D K WANG 05/24/95	sheet
sheet	revision			scale	5 of
index	sheet				



mat'l. code				tolerances unless otherwise specified		CUSTOMER		<b>BERG</b> ELECTRONICS	
ltr	ecn no	dr	date	linear	.0± / .00±	COPY			
B	T50150	W L	06/05/95		.00±.12 / .000±	MM/INCH			MICROPAX RECEIPT STR 240P
				angles	.000± / .0000±	scale			
				dr	±	A3		size	94768
				enr				dwg no	sheet
				chr					6 of
				ppd					
sheet	revision								
index	sheet								



PRODUCT NO.  
94768-005



This device is a controlled item. Reproduction or use in third parties is not permitted without the written consent of BERG ELECTRONICS.

**BERG ELECTRONICS**

All rights reserved. Reproduction or use in third parties is not permitted without the written consent of BERG ELECTRONICS.

mat'l. code				tolerances unless otherwise specified		CUSTOMER COPY			
ltr	ecn no	dr	date	linear	.0± / .00±	projection	title		
					.00± / .000±		MICROPAX RECEIPT R/A 240P		
				angles	±			product family	code
				dr	PAMP 07/30/98	MM/INCH	MICROPAX		
				enr	CH CHUANG 07/30/98	scale	size		
				chr	CH CHUANG 07/30/98	2 : 1	A3		
				bppd	JENN TSAO 07/30/98		94768		
sheet index	revision sheet							sheet 8 of	