



## Features

- 2.54 mm pitch & height
- 2 to 6 precious metal contacts
- End-to-end stackable
- Twin hot contacts (symmetrical pad layout)
- Pick & place compatible

- High cycle life
- RoHS compliant\*

## 70AA/Male - Modular Contact

### Materials & Finishes

Insulator ....Glass reinforced thermoplastic,  
UL 94V-0 rated, black  
Contact .....Copper alloy  
Finish  
Underplating .....30 μ" - 60 μ" nickel  
Contact Area.....30 μ" Au over nickel

### Operating Characteristics

Electrical  
Current Rating .....3 A/contact  
Voltage Rating .....60 V  
Contact Resistance .....25 mΩ max.  
Dielectric Voltage .....AC 500 V  
Insulating Resistance .....1000 MΩ min.  
Operating Temperature ..-55 °C to 125 °C

### Mechanical

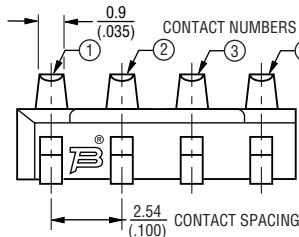
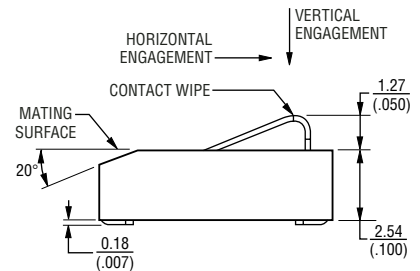
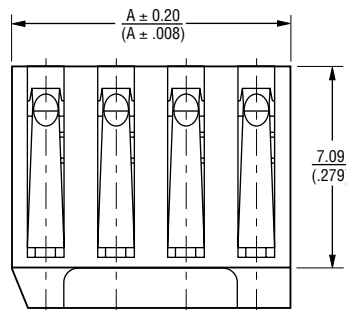
Vibration .....30 G, 10-2K Hz,  
0.06 inches D.A.  
Shock .....100 G  
Normal Force .....80 grams min.  
at a working height of  
0.25 mm (0.010 inches)  
Durability .....10,000 cycles min.

### How to Order

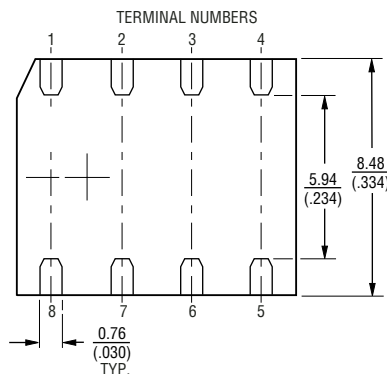
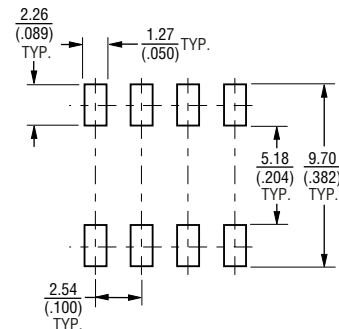
**70AA J - 4 - M 0 G**

Model \_\_\_\_\_  
Terminal Style \_\_\_\_\_  
J = SMT  
Number of Contacts (N) \_\_\_\_\_  
2 through 6  
Gender \_\_\_\_\_  
M = Male  
Type \_\_\_\_\_  
0 = Standard  
Packaging Option \_\_\_\_\_  
\_ = Tube  
G = Embossed Tape (750 pcs. per reel)

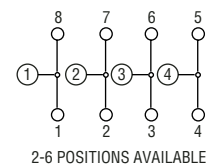
### Product Dimensions



### Recommended PWB Layout



### Electrical Schematic



Number of Contacts	Dimension A
2	$\frac{5.00}{(.197)}$
3	$\frac{7.54}{(.297)}$
4	$\frac{10.20}{(.397)}$
5	$\frac{12.62}{(.497)}$
6	$\frac{15.16}{(.597)}$

TOLERANCES:  $\pm \frac{0.30}{(.012)}$  UNLESS OTHERWISE STATED

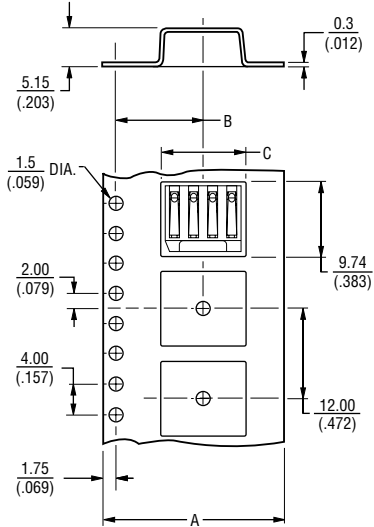
DIMENSIONS ARE:  $\frac{\text{MM}}{\text{(INCHES)}}$

# 70AA/Male - Modular Contact

**BOURNS®**

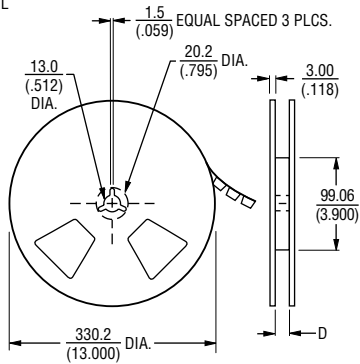
## Packaging Specifications

TAPE



No. of Contacts	Dimension A	Dimension B	Dimension C	Dimension D
2	16.0 (.630)	7.5 (.296)	5.64 (.222)	16.4 (.646)
3	16.0 (.630)	7.5 (.296)	8.19 (.323)	16.4 (.646)
4	24.0 (.945)	11.5 (.453)	10.4 (.409)	24.4 (.961)
5	24.0 (.945)	11.5 (.453)	12.95 (.510)	24.4 (.961)
6	24.0 (.945)	11.5 (.453)	15.5 (.610)	24.4 (.961)

REEL



REV. 01/06

Specifications are subject to change without notice.  
Customers should verify actual device performance in their specific applications.