



# CY7C344 CY7C344B

## 32-Macrocell MAX® EPLD

### Features

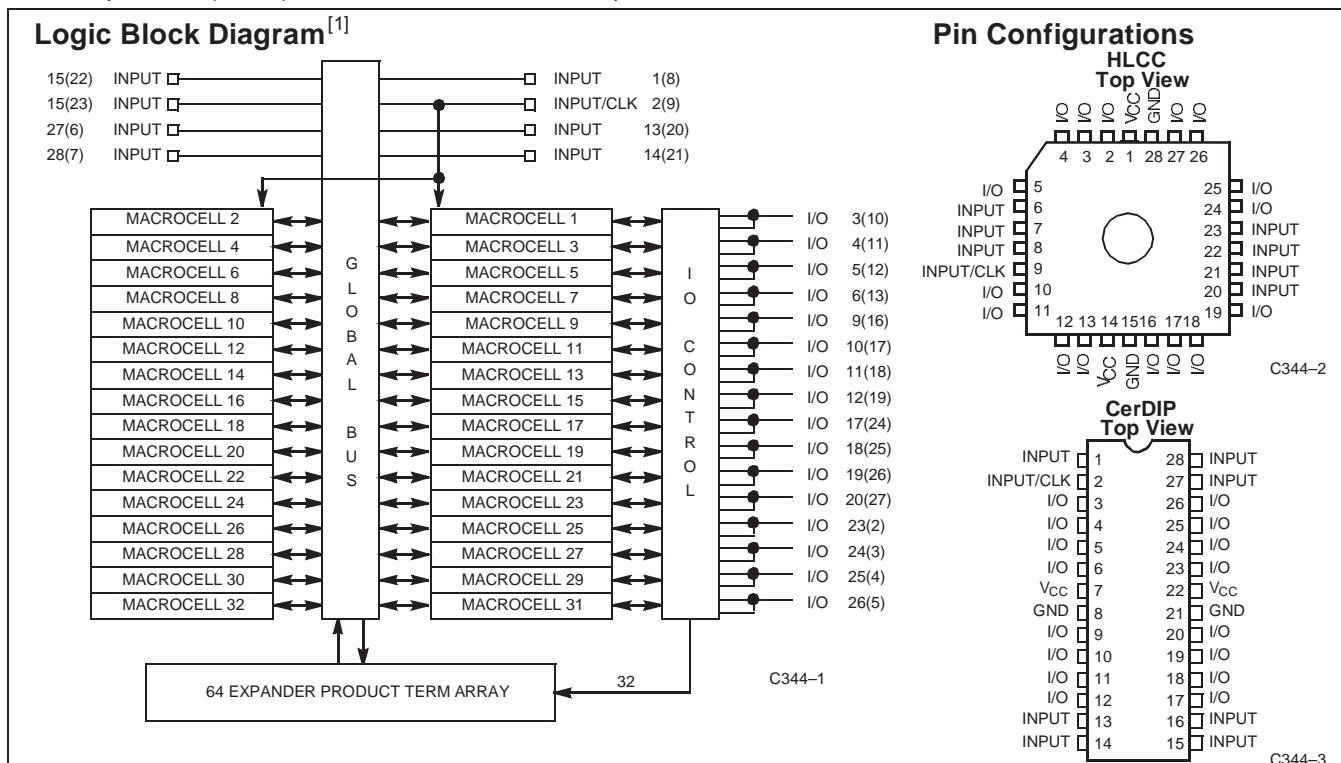
- High-performance, high-density replacement for TTL, 74HC, and custom logic
- 32 macrocells, 64 expander product terms in one LAB
- 8 dedicated inputs, 16 I/O pins
- 0.8-micron double-metal CMOS EPROM technology (CY7C344)
- Advanced 0.65-micron CMOS EPROM technology to increase performance (CY7C344B)
- 28-pin 300-mil DIP, cerDIP or 28-pin HLCC, PLCC package

### Functional Description

Available in a 28-pin 300-mil DIP or windowed J-leaded ceramic chip carrier (HLCC), the CY7C344/CY7C344B repre-

sents the densest EPLD of this size. Eight dedicated inputs and 16 bidirectional I/O pins communicate to one logic array block. In the CY7C344 LAB there are 32 macrocells and 64 expander product terms. When an I/O macrocell is used as an input, two expanders are used to create an input path. Even if all of the I/O pins are driven by macrocell registers, there are still 16 "buried" registers available. All inputs, macrocells, and I/O pins are interconnected within the LAB.

The speed and density of the CY7C344/CY7C344B makes it a natural for all types of applications. With just this one device, the designer can implement complex state machines, registered logic, and combinatorial "glue" logic, without using multiple chips. This architectural flexibility allows the CY7C344/CY7C344B to replace multichip TTL solutions, whether they are synchronous, asynchronous, combinatorial, or all three.



### Selection Guide

		7C344B-10	7C344B-12	7C344B-15	7C344B-20	7C344B-25
Maximum Access Time (ns)		10	12	15	20	25
Maximum Operating Current (mA)	Commercial	200	200	200	200	200
	Military		220	220	220	220
	Industrial		220	220	220	220
Maximum Standby Current (mA)	Commercial	150	150	150	150	150
	Military		170	170	170	170
	Industrial		170	170	170	170

Shaded area contains preliminary information.

**Note:**

1. Numbers in ( ) refer to J-leaded packages.



**Maximum Ratings**

(Above which the useful life may be impaired. For user guidelines, not tested.)

Storage Temperature ..... -65°C to +150°C  
 Ambient Temperature with Power Applied..... 0°C to +70°C  
 Maximum Junction Temperature (Under Bias)..... 150°C  
 Supply Voltage to Ground Potential ..... -2.0V to +7.0V  
 Maximum Power Dissipation..... 1500 mW  
 DC V<sub>CC</sub> or GND Current .....500 mA  
 Static Discharge Voltage (per MIL-STD-883, Method 3015).....>2001V

DC Output Current, per Pin .....-25 mA to +25 mA  
 DC Input Voltage<sup>[2]</sup> .....-3.0V to +7.0V  
 DC Program Voltage ..... +13.0V

**Operating Range**

Range	Ambient Temperature	V <sub>CC</sub>
Commercial	0°C to +70°C	5V ±5%
Industrial	-40°C to +85°C	5V ±10%
Military	-55°C to +125°C (Case)	5V ±10%

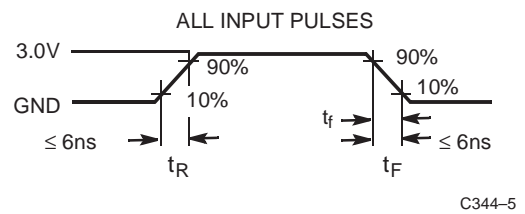
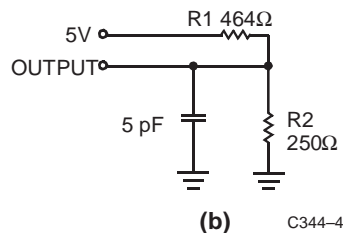
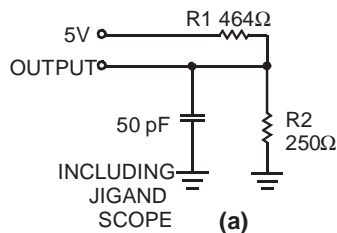
**Electrical Characteristics** Over the Operating Range<sup>[3]</sup>

Parameter	Description	Test Conditions	Min.	Max.	Unit	
V <sub>OH</sub>	Output HIGH Voltage	V <sub>CC</sub> = Min., I <sub>OH</sub> = -4.0 mA	2.4		V	
V <sub>OL</sub>	Output LOW Voltage	V <sub>CC</sub> = Min., I <sub>OL</sub> = 8 mA		0.45	V	
V <sub>IH</sub>	Input HIGH Level		2.2	V <sub>CC</sub> +0.3	V	
V <sub>IL</sub>	Input LOW Level		-0.3	0.8	V	
I <sub>IX</sub>	Input Current	GND ≤ V <sub>IN</sub> ≤ V <sub>CC</sub>	-10	+10	μA	
I <sub>OZ</sub>	Output Leakage Current	V <sub>O</sub> = V <sub>CC</sub> or GND	-40	+40	μA	
I <sub>OS</sub>	Output Short Circuit Current	V <sub>CC</sub> = Max., V <sub>OUT</sub> = 0.5V <sup>[4, 5]</sup>	-30	-90	mA	
I <sub>CC1</sub>	Power Supply Current (Standby)	V <sub>I</sub> = V <sub>CC</sub> or GND (No Load)	Commercial		150	mA
			Military/Industrial		170	mA
I <sub>CC2</sub>	Power Supply Current	V <sub>I</sub> = V <sub>CC</sub> or GND (No Load) f = 1.0 MHz <sup>[4, 6]</sup>	Commercial		200	mA
			Military/Industrial		220	mA
t <sub>R</sub>	Recommended Input Rise Time			100	ns	
t <sub>F</sub>	Recommended Input Fall Time			100	ns	

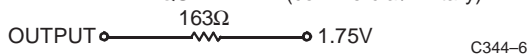
**Capacitance**

Parameter	Description	Test Conditions	Max.	Unit
C <sub>IN</sub>	Input Capacitance	V <sub>IN</sub> = 2V, f = 1.0 MHz	10	pF
C <sub>OUT</sub>	Output Capacitance	V <sub>OUT</sub> = 2.0V, f = 1.0 MHz	10	pF

**AC Test Loads and Waveforms<sup>[7]</sup>**



Equivalent to: THÉVENIN EQUIVALENT (commercial/military)



**Notes:**

- Minimum DC input is -0.3V. During transitions, the inputs may undershoot to -2.0V for periods less than 20 ns.
- Typical values are for T<sub>A</sub> = 25°C and V<sub>CC</sub> = 5V.
- Guaranteed by design but not 100% tested.
- Not more than one output should be tested at a time. Duration of the short circuit should not be more than one second. V<sub>OUT</sub> = 0.5V has been chosen to avoid test problems caused by tester ground degradation.
- Measured with device programmed as a 16-bit counter.
- Part (a) in AC Test Load and Waveforms is used for all parameters except t<sub>ER</sub> and t<sub>XZ</sub>, which is used for part (b) in AC Test Load and Waveforms. All external timing parameters are measured referenced to external pins of the device.

### Timing Delays

Timing delays within the CY7C344/CY7C344B may be easily determined using *Warp2*®, *Warp2Sim*™, or *Warp3*® software or by the model shown in *Figure 1*. The CY7C344/CY7C344B has fixed internal delays, allowing the user to determine the worst case timing delays for any design. For complete timing information, the *Warp3* software provides a timing simulator.

### Design Recommendations

Operation of the devices described herein with conditions above those listed under “Absolute Maximum Ratings” may cause permanent damage to the device. This is a stress rating only and functional operation of the device at these or any other conditions above those indicated in the operational sections of this datasheet is not implied. Exposure to absolute maximum ratings conditions for extended periods of time may affect device reliability. The CY7C344/CY7C344B contains circuitry to protect device pins from high-static voltages or electric fields; however, normal precautions should be taken to avoid applying any voltage higher than maximum rated voltages.

For proper operation, input and output pins must be constrained to the range  $GND \leq (VIN \text{ or } VOUT) \leq VCC$ . Unused inputs must always be tied to an appropriate logic level (either VCC or GND). Each set of VCC and GND pins must be connected together directly at the device. Power supply decoupling capacitors of at least 0.2  $\mu F$  must be connected between VCC and GND. For the most effective decoupling, each VCC pin should be separately decoupled.

### Timing Considerations

Unless otherwise stated, propagation delays do not include expanders. When using expanders, add the maximum expander delay  $t_{EXP}$  to the overall delay.

When calculating synchronous frequencies, use  $t_{S1}$  if all inputs are on the input pins.  $t_{S2}$  should be used if data is applied at an I/O pin. If  $t_{S2}$  is greater than  $t_{CO1}$ ,  $1/t_{S2}$  becomes the limiting frequency in the data-path mode unless  $1/(t_{WH} + t_{WL})$  is less than  $1/t_{S2}$ .

When expander logic is used in the data path, add the appropriate maximum expander delay,  $t_{EXP}$  to  $t_{S1}$ . Determine which of  $1/(t_{WH} + t_{WL})$ ,  $1/t_{CO1}$ , or  $1/(t_{EXP} + t_{S1})$  is the lowest frequency. The lowest of these frequencies is the maximum data-path frequency for the synchronous configuration.

When calculating external asynchronous frequencies, use  $t_{AS1}$  if all inputs are on dedicated input pins. If any data is applied to an I/O pin,  $t_{AS2}$  must be used as the required set-up time. If  $(t_{AS2} + t_{AH})$  is greater than  $t_{ACO1}$ ,  $1/(t_{AS2} + t_{AH})$  becomes the limiting frequency in the data-path mode unless  $1/(t_{AWH} + t_{AWL})$  is less than  $1/(t_{AS2} + t_{AH})$ .

When expander logic is used in the data path, add the appropriate maximum expander delay,  $t_{EXP}$  to  $t_{AS1}$ . Determine which of  $1/(t_{AWH} + t_{AWL})$ ,  $1/t_{ACO1}$ , or  $1/(t_{EXP} + t_{AS1})$  is the lowest frequency. The lowest of these frequencies is the maximum data-path frequency for the asynchronous configuration.

The parameter  $t_{OH}$  indicates the system compatibility of this device when driving other synchronous logic with positive input hold times, which is controlled by the same synchronous clock. If  $t_{OH}$  is greater than the minimum required input hold time of the subsequent synchronous logic, then the devices are guaranteed to function properly with a common synchronous clock under worst-case environmental and supply voltage conditions.

The parameter  $t_{AOH}$  indicates the system compatibility of this device when driving subsequent registered logic with a positive hold time and using the same clock as the CY7C344/CY7C344B. In general, if  $t_{AOH}$  is greater than the minimum required input hold time of the subsequent logic (synchronous or asynchronous), then the devices are guaranteed to function properly under worst-case environmental and supply voltage conditions, provided the clock signal source is the same. This also applies if expander logic is used in the clock signal path of the driving device, but not for the driven device. This is due to the expander logic in the second device’s clock signal path adding an additional delay ( $t_{EXP}$ ), causing the output data from the preceding device to change prior to the arrival of the clock signal at the following device’s register.

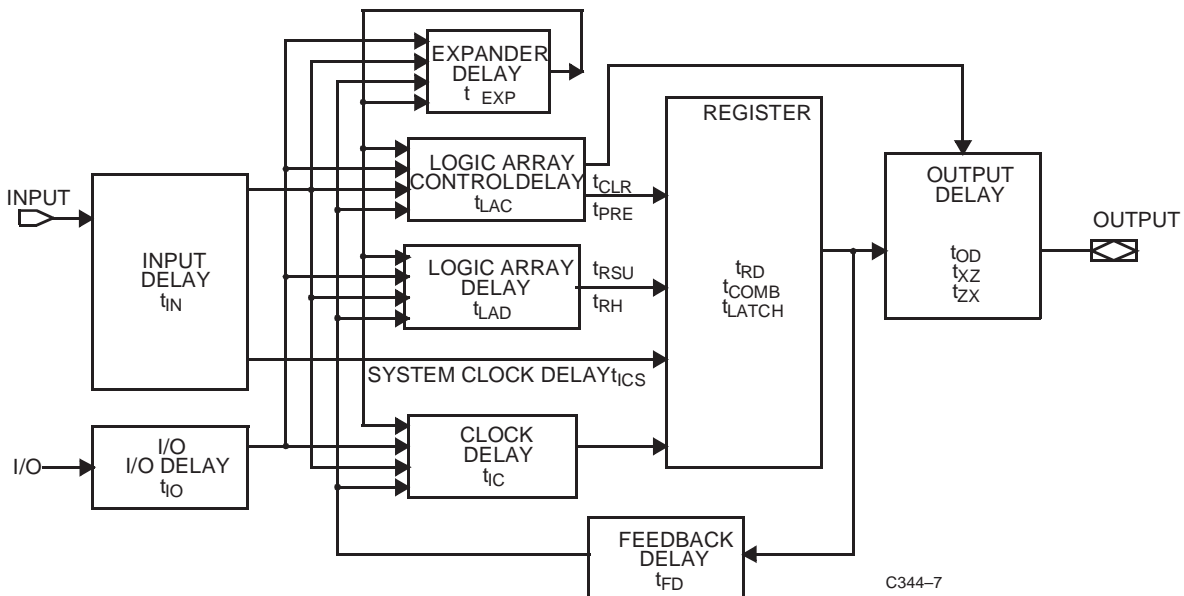


Figure 1. CY7C344/CY7C344B Timing Model

**External Synchronous Switching Characteristics<sup>[7]</sup> Over Operating Range**

Parameter	Description		7C344B-10		7C344B-12		7C344-15 7C344B-15		Unit
			Min.	Max.	Min.	Max.	Min.	Max.	
t <sub>PD1</sub>	Dedicated Input to Combinatorial Output Delay <sup>[8]</sup>	Com'l /Ind		10		12		15	ns
		Mil				12		15	
t <sub>PD2</sub>	I/O Input to Combinatorial Output Delay <sup>[9]</sup>	Com'l /Ind		10		12		15	ns
		Mil				12		15	
t <sub>PD3</sub>	Dedicated Input to Combinatorial Output Delay with Expander Delay <sup>[10]</sup>	Com'l /Ind		16		18		30	ns
		Mil				18		30	
t <sub>PD4</sub>	I/O Input to Combinatorial Output Delay with Expander Delay <sup>[4, 11]</sup>	Com'l /Ind		16		18		30	ns
		Mil				18		30	
t <sub>EA</sub>	Input to Output Enable Delay <sup>[4]</sup>	Com'l /Ind		10		12		20	ns
		Mil				12		20	
t <sub>ER</sub>	Input to Output Disable Delay <sup>[4]</sup>	Com'l /Ind		10		12		20	ns
		Mil				12		20	
t <sub>CO1</sub>	Synchronous Clock Input to Output Delay	Com'l /Ind		5		6		10	ns
		Mil				6		10	
t <sub>CO2</sub>	Synchronous Clock to Local Feedback to Combinatorial Output <sup>[4, 12]</sup>	Com'l /Ind		10		12		20	ns
		Mil				12		20	
t <sub>S</sub>	Dedicated Input or Feedback Set-Up Time to Synchronous Clock Input	Com'l /Ind	6		8		10		ns
		Mil			8		10		
t <sub>H</sub>	Input Hold Time from Synchronous Clock Input <sup>[7]</sup>	Com'l /Ind	0		0		0		ns
		Mil			0		0		
t <sub>WH</sub>	Synchronous Clock Input HIGH Time <sup>[4]</sup>	Com'l /Ind	4		4.5		6		ns
		Mil			4.5		6		
t <sub>WL</sub>	Synchronous Clock Input LOW Time <sup>[4]</sup>	Com'l /Ind	4		4.5		6		ns
		Mil			4.5		6		
t <sub>RW</sub>	Asynchronous Clear Width <sup>[4]</sup>	Com'l /Ind	10		12		20		ns
		Mil			12		20		
t <sub>RR</sub>	Asynchronous Clear Recovery Time <sup>[4]</sup>	Com'l /Ind	10		12		20		ns
		Mil			12		20		
t <sub>RO</sub>	Asynchronous Clear to Registered Output Delay <sup>[4]</sup>	Com'l /Ind		10		12		15	ns
		Mil				12		15	
t <sub>PW</sub>	Asynchronous Preset Width <sup>[4]</sup>	Com'l /Ind	10		12		20		ns
		Mil			12		20		
t <sub>PR</sub>	Asynchronous Preset Recovery Time <sup>[4]</sup>	Com'l /Ind	10		12		20		ns
		Mil			12		20		
t <sub>PO</sub>	Asynchronous Preset to Registered Output Delay <sup>[4]</sup>	Com'l /Ind		10		12		15	ns
		Mil				12		15	
t <sub>CF</sub>	Synchronous Clock to Local Feedback Input <sup>[4, 13]</sup>	Com'l /Ind		3		3		4	ns
		Mil				3		4	
t <sub>P</sub>	External Synchronous Clock Period (1/f <sub>MAX3</sub> ) <sup>[4]</sup>	Com'l /Ind	8		9		13		ns
		Mil			9		13		
f <sub>MAX1</sub>	External Maximum Frequency (1/(t <sub>CO1</sub> + t <sub>S</sub> )) <sup>[4, 14]</sup>	Com'l /Ind	90.9		71.4		50.0		MHz
		Mil			71.4		50.0		

Shaded area contains preliminary information.

**External Synchronous Switching Characteristics<sup>[7]</sup> Over Operating Range (continued)**

Parameter	Description		7C344B-10		7C344B-12		7C344-15 7C344B-15		Unit
			Min.	Max.	Min.	Max.	Min.	Max.	
f <sub>MAX2</sub>	Maximum Frequency with Internal Only Feed-back (1/(t <sub>CF</sub> + t <sub>S</sub> )) <sup>[4, 15]</sup>	Com!/Ind	111.1		90.9		71.4		MHz
		Mil				90.9		71.4	
f <sub>MAX3</sub>	Data Path Maximum Frequency, least of 1/(t <sub>WL</sub> + t <sub>WH</sub> ), 1/(t <sub>S</sub> + t <sub>H</sub> ), or (1/t <sub>CO1</sub> ) <sup>[4, 16]</sup>	Com!/Ind	125.0		111.1		83.3		MHz
		Mil				111.1		83.3	
f <sub>MAX4</sub>	Maximum Register Toggle Frequency 1/(t <sub>WL</sub> + t <sub>WH</sub> ) <sup>[4, 17]</sup>	Com!/Ind	125.0		111.1		83.3		MHz
		Mil				111.1		83.3	
t <sub>OH</sub>	Output Data Stable Time from Synchronous Clock Input <sup>[4, 18]</sup>	Com!/ Ind	3		3		3		ns
		Mil				3		3	

Shaded area contains preliminary information.

**Notes:**

8. This parameter is the delay from an input signal applied to a dedicated input pin to a combinatorial output on any output pin. This delay assumes no expander terms are used to form the logic function.
9. This parameter is the delay associated with an input signal applied to an I/O macrocell pin to any output. This delay assumes no expander terms are used to form the logic function.
10. This parameter is the delay associated with an input signal applied to a dedicated input pin to combinatorial output on any output pin. This delay assumes expander terms are used to form the logic function and includes the worst-case expander logic delay for one pass through the expander logic. This parameter is tested periodically by sampling production material.
11. This parameter is the delay associated with an input signal applied to an I/O macrocell pin to any output pin. This delay assumes expander terms are used to form the logic function and includes the worst-case expander logic delay for one pass through the expander logic. This parameter is tested periodically by sampling production material.
12. This specification is a measure of the delay from synchronous register clock input to internal feedback of the register output signal to a combinatorial output for which the registered output signal is used as an input. This parameter assumes no expanders are used in the logic of the combinatorial output and the register is synchronously clocked. This parameter is tested periodically by sampling production material.
13. This specification is a measure of the delay associated with the internal register feedback path. This delay plus the register set-up time, t<sub>S</sub>, is the minimum internal period for an internal state machine configuration. This parameter is tested periodically by sampling production material.
14. This specification indicates the guaranteed maximum frequency at which a state machine configuration with external only feedback can operate.
15. This specification indicates the guaranteed maximum frequency at which a state machine with internal-only feedback can operate. If register output states must also control external points, this frequency can still be observed as long as it is less than 1/t<sub>CO1</sub>. This specification assumes no expander logic is used. This parameter is tested periodically by sampling production material.
16. This frequency indicates the maximum frequency at which the device may operate in data-path mode (dedicated input pin to output pin). This assumes that no expander logic is used.
17. This specification indicates the guaranteed maximum frequency in synchronous mode, at which an individual output or buried register can be cycled by a clock signal applied to either a dedicated input pin or an I/O pin.
18. This parameter indicates the minimum time after a synchronous register clock input that the previous register output data is maintained on the output pin.

**External Synchronous Switching Characteristics<sup>[7]</sup> Over Operating Range (continued)**

Parameter	Description		7C344-20 7C344B-20		7C344-25 7C344B-25		Unit
			Min.	Max.	Min.	Max.	
t <sub>PD1</sub>	Dedicated Input to Combinatorial Output Delay <sup>[8]</sup>	Com'I /Ind		20		25	ns
		Mil		20		25	
t <sub>PD2</sub>	I/O Input to Combinatorial Output Delay <sup>[9]</sup>	Com'I /Ind		20		25	ns
		Mil		20		25	
t <sub>PD3</sub>	Dedicated Input to Combinatorial Output Delay with Expander Delay <sup>[10]</sup>	Com'I /Ind		30		40	ns
		Mil		30		40	
t <sub>PD4</sub>	I/O Input to Combinatorial Output Delay with Expander Delay <sup>[4, 11]</sup>	Com'I /Ind		30		40	ns
		Mil		30		40	
t <sub>EA</sub>	Input to Output Enable Delay <sup>[4]</sup>	Com'I /Ind		20		25	ns
		Mil		20		25	
t <sub>ER</sub>	Input to Output Disable Delay <sup>[4]</sup>	Com'I /Ind		20		25	ns
		Mil		20		25	
t <sub>CO1</sub>	Synchronous Clock Input to Output Delay	Com'I /Ind		12		15	ns
		Mil		12		15	
t <sub>CO2</sub>	Synchronous Clock to Local Feedback to Combinatorial Output <sup>[4, 12]</sup>	Com'I /Ind		22		29	ns
		Mil		22		29	
t <sub>S</sub>	Dedicated Input or Feedback Set-Up Time to Synchronous Clock Input	Com'I /Ind	12		15		ns
		Mil	12		15		
t <sub>H</sub>	Input Hold Time from Synchronous Clock Input <sup>[7]</sup>	Com'I /Ind	0		0		ns
		Mil	0		0		
t <sub>WH</sub>	Synchronous Clock Input HIGH Time <sup>[4]</sup>	Com'I /Ind	7		8		ns
		Mil	7		8		
t <sub>WL</sub>	Synchronous Clock Input LOW Time <sup>[4]</sup>	Com'I /Ind	7		8		ns
		Mil	7		8		
t <sub>RW</sub>	Asynchronous Clear Width <sup>[4]</sup>	Com'I /Ind	20		25		ns
		Mil	20		25		
t <sub>RR</sub>	Asynchronous Clear Recovery Time <sup>[4]</sup>	Com'I /Ind	20		25		ns
		Mil	20		25		
t <sub>RO</sub>	Asynchronous Clear to Registered Output Delay <sup>[4]</sup>	Com'I /Ind		20		25	ns
		Mil		20		25	
t <sub>PW</sub>	Asynchronous Preset Width <sup>[4]</sup>	Com'I /Ind	20		25		ns
		Mil	20		25		
t <sub>PR</sub>	Asynchronous Preset Recovery Time <sup>[4]</sup>	Com'I /Ind	20		25		ns
		Mil	20		25		
t <sub>PO</sub>	Asynchronous Preset to Registered Output Delay <sup>[4]</sup>	Com'I /Ind		20		25	ns
		Mil		20		25	
t <sub>CF</sub>	Synchronous Clock to Local Feedback Input <sup>[4, 13]</sup>	Com'I /Ind		4		7	ns
		Mil		4		7	
t <sub>P</sub>	External Synchronous Clock Period (1/f <sub>MAX3</sub> ) <sup>[4]</sup>	Com'I /Ind	14		16		ns
		Mil	14		16		

**External Synchronous Switching Characteristics<sup>[7]</sup> Over Operating Range (continued)**

Parameter	Description		7C344-20 7C344B-20		7C344-25 7C344B-25		Unit
			Min.	Max.	Min.	Max.	
f <sub>MAX1</sub>	External Maximum Frequency(1/(t <sub>CO1</sub> + t <sub>S</sub> )) <sup>[4, 14]</sup>	Com'l/Ind	41.6		33.3		MHz
		Mil	41.6		33.3		
f <sub>MAX2</sub>	Maximum Frequency with Internal Only Feedback (1/(t <sub>CF</sub> + t <sub>S</sub> )) <sup>[4, 15]</sup>	Com'l/Ind	62.5		45.4		MHz
		Mil	62.5		45.4		
f <sub>MAX3</sub>	Data Path Maximum Frequency, least of 1/(t <sub>WL</sub> + t <sub>WH</sub> ), 1/(t <sub>S</sub> + t <sub>H</sub> ), or (1/t <sub>CO1</sub> ) <sup>[4, 16]</sup>	Com'l/Ind	71.4		62.5		MHz
		Mil	71.4		62.5		
f <sub>MAX4</sub>	Maximum Register Toggle Frequency 1/(t <sub>WL</sub> + t <sub>WH</sub> ) <sup>[4, 17]</sup>	Com'l/Ind	71.4		62.5		MHz
		Mil	71.4		62.5		
t <sub>OH</sub>	Output Data Stable Time from Synchronous Clock Input <sup>[4, 18]</sup>	Com'l/ Ind	3		3		ns
		Mil	3		3		

**External Asynchronous Switching Characteristics Over Operating Range<sup>[7]</sup>**

Parameter	Description		7C344B-10		7C344B-12		7C344-15 7C344B-15		Unit
			Min.	Max.	Min.	Max.	Min.	Max.	
t <sub>ACO1</sub>	Asynchronous Clock Input to Output Delay	Com'l/ Ind		10		12		15	ns
		Mil				12		15	
t <sub>ACO2</sub>	Asynchronous Clock Input to Local Feedback to Combinatorial Output <sup>[19]</sup>	Com'l/Ind		15		18		30	ns
		Mil				18		30	
t <sub>AS</sub>	Dedicated Input or Feedback Set-Up Time to Asynchronous Clock Input	Com'l/Ind	4		4		7		ns
		Mil				4		7	
t <sub>AH</sub>	Input Hold Time from Asynchronous Clock Input	Com'l/Ind	3		4		7		ns
		Mil				4		7	
t <sub>AWH</sub>	Asynchronous Clock Input HIGH Time <sup>[4, 20]</sup>	Com'l/Ind	4		5		6		ns
		Mil				5		6	
t <sub>AWL</sub>	Asynchronous Clock Input LOW Time <sup>[4]</sup>	Com'l/Ind	5		6		7		ns
		Mil				6		7	
t <sub>ACF</sub>	Asynchronous Clock to Local Feedback Input <sup>[4, 21]</sup>	Com'l/Ind		7		9		18	ns
		Mil				9		18	
t <sub>AP</sub>	External Asynchronous Clock Period (1/f <sub>MAX4</sub> ) <sup>[4]</sup>	Com'l/Ind	12		12.5		13		ns
		Mil				12.5		13	
f <sub>MAXA1</sub>	External Maximum Frequency in Asynchronous Mode 1/(t <sub>ACO1</sub> + t <sub>AS</sub> ) <sup>[4, 22]</sup>	Com'l/Ind	71.4		62.5		45.4		MHz
		Mil				62.5		45.4	
f <sub>MAXA2</sub>	Maximum Internal Asynchronous Frequency 1/(t <sub>ACF</sub> + t <sub>AS</sub> ) or 1/(t <sub>AWH</sub> + t <sub>AWL</sub> ) <sup>[4, 23]</sup>	Com'l/Ind	90.9		76.9		40		MHz
		Mil				76.9		40	
f <sub>MAXA3</sub>	Data Path Maximum Frequency in Asynchronous Mode <sup>[4, 24]</sup>	Com'l/Ind	100.0		83.3		66.6		MHz
		Mil				83.3		66.6	
f <sub>MAXA4</sub>	Maximum Asynchronous Register Toggle Frequency 1/(t <sub>AWH</sub> + t <sub>AWL</sub> ) <sup>[4, 25]</sup>	Com'l/Ind	111.1		90.9		76.9		MHz
		Mil				90.9		76.9	
t <sub>AOH</sub>	Output Data Stable Time from Asynchronous Clock Input <sup>[4, 26]</sup>	Com'l/Ind	12		12		15		ns
		Mil					15		

Shaded area contains preliminary information.

**External Asynchronous Switching Characteristics** Over Operating Range<sup>[7]</sup> (continued)

Parameter	Description		7C344-20 7C344B-20		7C344-25 7C344B-25		Unit
			Min.	Max.	Min.	Max.	
t <sub>ACO1</sub>	Asynchronous Clock Input to Output Delay	Com'l/ Ind		20		25	ns
		Mil		20		25	
t <sub>ACO2</sub>	Asynchronous Clock Input to Local Feedback to Combinatorial Output <sup>[19]</sup>	Com'l/Ind		30		37	ns
		Mil		30		37	
t <sub>AS</sub>	Dedicated Input or Feedback Set-Up Time to Asynchronous Clock Input	Com'l/Ind	9		12		ns
		Mil	9		12		
t <sub>AH</sub>	Input Hold Time from Asynchronous Clock Input	Com'l/Ind	9		12		ns
		Mil	9		12		
t <sub>AWH</sub>	Asynchronous Clock Input HIGH Time <sup>[4, 20]</sup>	Com'l/Ind	7		9		ns
		Mil	7		9		
t <sub>AWL</sub>	Asynchronous Clock Input LOW Time <sup>[4]</sup>	Com'l/Ind	9		11		ns
		Mil	9		11		
t <sub>ACF</sub>	Asynchronous Clock to Local Feedback Input <sup>[4, 21]</sup>	Com'l /Ind		18		21	ns
		Mil		18		21	
t <sub>AP</sub>	External Asynchronous Clock Period (1/f <sub>MAX4</sub> ) <sup>[4]</sup>	Com'l/Ind	16		20		ns
		Mil	16		20		
f <sub>MAXA1</sub>	External Maximum Frequency in Asynchronous Mode 1/(t <sub>ACO1</sub> + t <sub>AS</sub> ) <sup>[4, 22]</sup>	Com'l/Ind	34.4		27		MHz
		Mil	34.4		27		
f <sub>MAXA2</sub>	Maximum Internal Asynchronous Frequency 1/(t <sub>ACF</sub> + t <sub>AS</sub> ) or 1/(t <sub>AWH</sub> + t <sub>AWL</sub> ) <sup>[4, 23]</sup>	Com'l/Ind	37		30.3		MHz
		Mil	37		30.3		
f <sub>MAXA3</sub>	Data Path Maximum Frequency in Asynchronous Mode <sup>[4, 23]</sup>	Com'l/Ind	50		40		MHz
		Mil	50		40		
f <sub>MAXA4</sub>	Maximum Asynchronous Register Toggle Frequency 1/(t <sub>AWH</sub> + t <sub>AWL</sub> ) <sup>[4, 25]</sup>	Com'l /Ind	62.5		50		MHz
		Mil	62.5		50		
t <sub>AOH</sub>	Output Data Stable Time from Asynchronous Clock Input <sup>[4, 26]</sup>	Com'l/Ind	15		15		ns
		Mil	15		15		

**Notes:**

19. This specification is a measure of the delay from an asynchronous register clock input to internal feedback of the registered output signal to a combinatorial output for which the registered output signal is used as an input. Assumes no expanders are used in logic of combinatorial output or the asynchronous clock input. This parameter is tested periodically by sampling production material.
20. This parameter is measured with a positive-edge-triggered clock at the register. For negative edge triggering, the t<sub>AWH</sub> and t<sub>AWL</sub> parameters must be swapped. If a given input is used to clock multiple registers with both positive and negative polarity, t<sub>AWH</sub> should be used for both t<sub>AWH</sub> and t<sub>AWL</sub>.
21. This specification is a measure of the delay associated with the internal register feedback path for an asynchronously clocked register. This delay plus the asynchronous register set-up time, t<sub>AS</sub>, is the minimum internal period for an asynchronously clocked state machine configuration. This delay assumes no expander logic in the asynchronous clock path. This parameter is tested periodically by sampling production material.
22. This parameter indicates the guaranteed maximum frequency at which an asynchronously clocked state machine configuration with external feedback can operate. It is assumed that no expander logic is employed in the clock signal path or data path.
23. This specification indicates the guaranteed maximum frequency at which an asynchronously clocked state machine with internal-only feedback can operate. If register output states must also control external points, this frequency can still be observed as long as this frequency is less than 1/t<sub>ACO1</sub>. This specification assumes no expander logic is utilized. This parameter is tested periodically by sampling production material.
24. This specification indicates the guaranteed maximum frequency at which an individual output or buried register can be cycled in asynchronously clocked mode. This frequency is least of 1/(t<sub>AWH</sub> + t<sub>AWL</sub>), 1/(t<sub>AS</sub> + t<sub>AH</sub>), or 1/t<sub>ACO1</sub>. It also indicates the maximum frequency at which the device may operate in the asynchronously clocked data-path mode. Assumes no expander logic is used.
25. This specification indicates the guaranteed maximum frequency at which an individual output or buried register can be cycled in asynchronously clocked mode by a clock signal applied to an external dedicated input or an I/O pin.
26. This parameter indicates the minimum time that the previous register output data is maintained on the output pin after an asynchronous register clock input to an external dedicated input or I/O pin.



**Typical Internal Switching Characteristics** Over Operating Range<sup>[7]</sup>

Parameter	Description		7C344B-10		7C344B-12		7C344-15 7C344B-15		Unit
			Min.	Max.	Min.	Max.	Min.	Max.	
t <sub>IN</sub>	Dedicated Input Pad and Buffer Delay	Com'/Ind		2		2.5		4	ns
		Mil				2.5		4	
t <sub>IO</sub>	I/O Input Pad and Buffer Delay	Com'/Ind		2		2.5		4	ns
		Mil				2.5		4	
t <sub>EXP</sub>	Expander Array Delay	Com'/Ind		6		6		8	ns
		Mil				6		8	
t <sub>LAD</sub>	Logic Array Data Delay	Com'/Ind		5		6		7	ns
		Mil				6		7	
t <sub>LAC</sub>	Logic Array Control Delay	Com'/Ind		5		5		5	ns
		Mil				5		5	
t <sub>OD</sub>	Output Buffer and Pad Delay	Com'/Ind		3		3		4	ns
		Mil				3		4	
t <sub>ZX</sub>	Output Buffer Enable Delay <sup>[27]</sup>	Com'/Ind		5		5		7	ns
		Mil				5		7	
t <sub>XZ</sub>	Output Buffer Disable Delay	Com'/Ind		5		5		7	ns
		Mil				5		7	
t <sub>RSU</sub>	Register Set-Up Time Relative to Clock Signal at Register	Com'/Ind	2		2		5		ns
		Mil				2		5	
t <sub>RH</sub>	Register Hold Time Relative to Clock Signal at Register	Com'/Ind	4		5		7		ns
		Mil				5		7	
t <sub>LATCH</sub>	Flow-Through Latch Delay	Com'/Ind		0.5		0.5		1	ns
		Mil				0.5		1	
t <sub>RD</sub>	Register Delay	Com'/Ind		0.5		0.5		1	ns
		Mil				0.5		1	
t <sub>COMB</sub>	Transparent Mode Delay <sup>[28]</sup>	Com'/Ind		0.5		0.5		1	ns
		Mil				0.5		1	
t <sub>CH</sub>	Clock HIGH Time	Com'/Ind	3		4		6		ns
		Mil				4		6	
t <sub>CL</sub>	Clock LOW Time	Com'/Ind	3		4		6		ns
		Mil				4		6	
t <sub>IC</sub>	Asynchronous Clock Logic Delay	Com'/Ind		5		6		7	ns
		Mil				6		7	
t <sub>ICS</sub>	Synchronous Clock Delay	Com'/Ind		0.5		0.5		1	ns
		Mil				0.5		1	
t <sub>FD</sub>	Feedback Delay	Com'/Ind		1		1		1	ns
		Mil				1		1	
t <sub>PRE</sub>	Asynchronous Register Preset Time	Com'/Ind		2		3		5	ns
		Mil				3		5	
t <sub>CLR</sub>	Asynchronous Register Clear Time	Com'/Ind		2		3		5	ns
		Mil				3		5	
t <sub>PCW</sub>	Asynchronous Preset and Clear Pulse Width	Com'/Ind	2		3		5		ns
		Mil				3		5	
t <sub>PCR</sub>	Asynchronous Preset and Clear Recovery Time	Com'/Ind	2		3		5		ns
		Mil				3		5	

Shaded area contains preliminary information.

**Notes:**

27. Sample tested only for an output change of 500 mV.

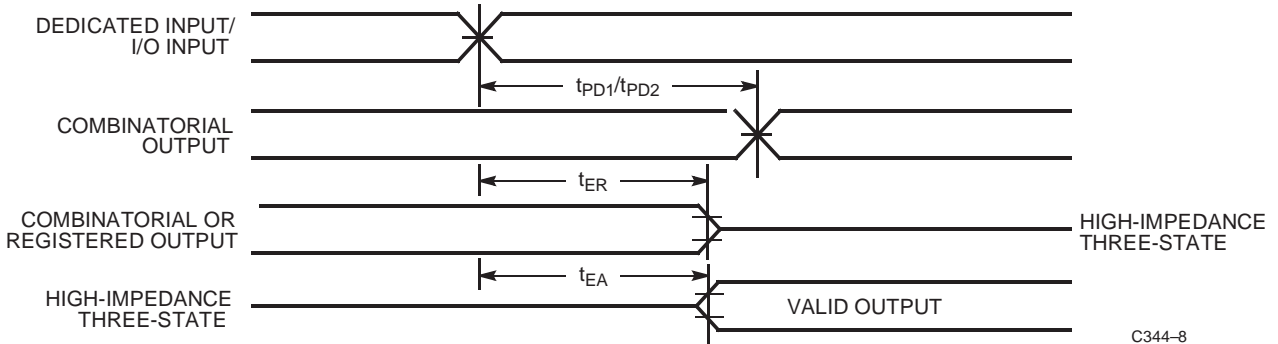
28. This specification guarantees the maximum combinatorial delay associated with the macrocell register bypass when the macrocell is configured for combinatorial operation.

**Typical Internal Switching Characteristics** Over Operating Range<sup>[7]</sup> (continued)

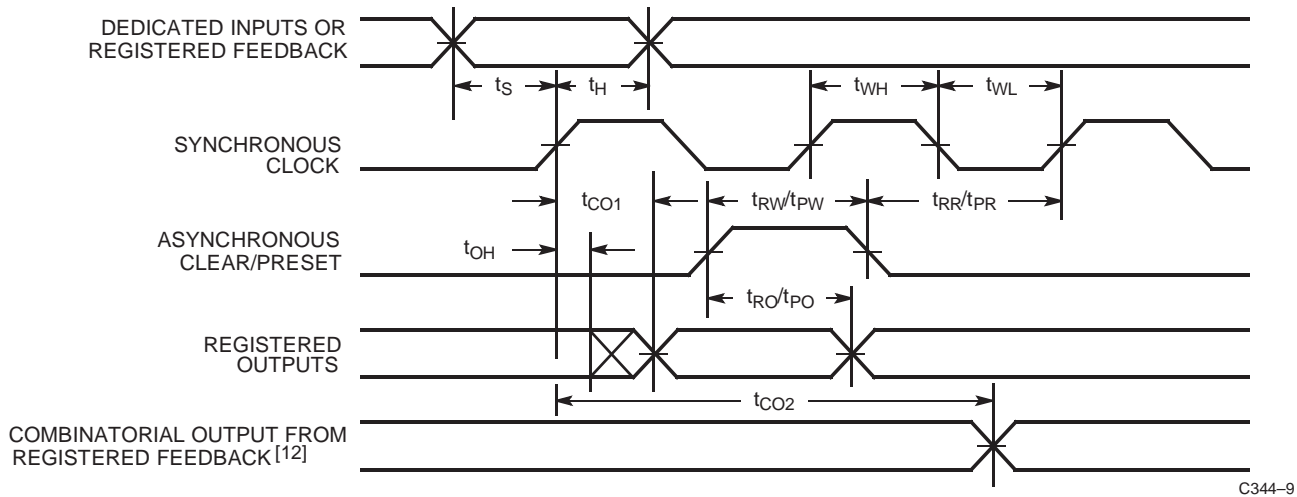
Parameter	Description		7C344-20 7C344B-20		7C344-25 7C344B-25		Unit
			Min.	Max.	Min.	Max.	
t <sub>IN</sub>	Dedicated Input Pad and Buffer Delay	Com'I/Ind		5		7	ns
		Mil		5		7	
t <sub>IO</sub>	I/O Input Pad and Buffer Delay	Com'I/Ind		5		7	ns
		Mil		5		7	
t <sub>EXP</sub>	Expander Array Delay	Com'I/Ind		10		15	ns
		Mil		10		15	
t <sub>LAD</sub>	Logic Array Data Delay	Com'I/Ind		9		10	ns
		Mil		9		10	
t <sub>LAC</sub>	Logic Array Control Delay	Com'I/Ind		7		7	ns
		Mil		7		7	
t <sub>OD</sub>	Output Buffer and Pad Delay	Com'I/Ind		5		5	ns
		Mil		5		5	
t <sub>ZX</sub>	Output Buffer Enable Delay <sup>[27]</sup>	Com'I/Ind		8		11	ns
		Mil		8		11	
t <sub>XZ</sub>	Output Buffer Disable Delay	Com'I/Ind		8		11	ns
		Mil		8		11	
t <sub>RSU</sub>	Register Set-Up Time Relative to Clock Signal at Register	Com'I/Ind	5		8		ns
		Mil	5		8		
t <sub>RH</sub>	Register Hold Time Relative to Clock Signal at Register	Com'I/Ind	9		12		ns
		Mil	9		12		
t <sub>LATCH</sub>	Flow-Through Latch Delay	Com'I/Ind		1		3	ns
		Mil		1		3	
t <sub>RD</sub>	Register Delay	Com'I/Ind		1		1	ns
		Mil		1		1	
t <sub>COMB</sub>	Transparent Mode Delay <sup>[28]</sup>	Com'I/Ind		1		3	ns
		Mil		1		3	
t <sub>CH</sub>	Clock HIGH Time	Com'I/Ind	7		8		ns
		Mil	7		8		
t <sub>CL</sub>	Clock LOW Time	Com'I/Ind	7		8		ns
		Mil	7		8		
t <sub>IC</sub>	Asynchronous Clock Logic Delay	Com'I/Ind		8		10	ns
		Mil		8		10	
t <sub>ICS</sub>	Synchronous Clock Delay	Com'I/Ind		2		3	ns
		Mil		2		3	
t <sub>FD</sub>	Feedback Delay	Com'I/Ind		1		1	ns
		Mil		1		1	
t <sub>PRE</sub>	Asynchronous Register Preset Time	Com'I/Ind		6		9	ns
		Mil		6		9	
t <sub>CLR</sub>	Asynchronous Register Clear Time	Com'I/Ind		6		9	ns
		Mil		6		9	
t <sub>PCW</sub>	Asynchronous Preset and Clear Pulse Width	Com'I/Ind	5		7		ns
		Mil	5		7		
t <sub>PCR</sub>	Asynchronous Preset and Clear Recovery Time	Com'I/Ind	5		7		ns
		Mil	5		7		

## Switching Waveforms

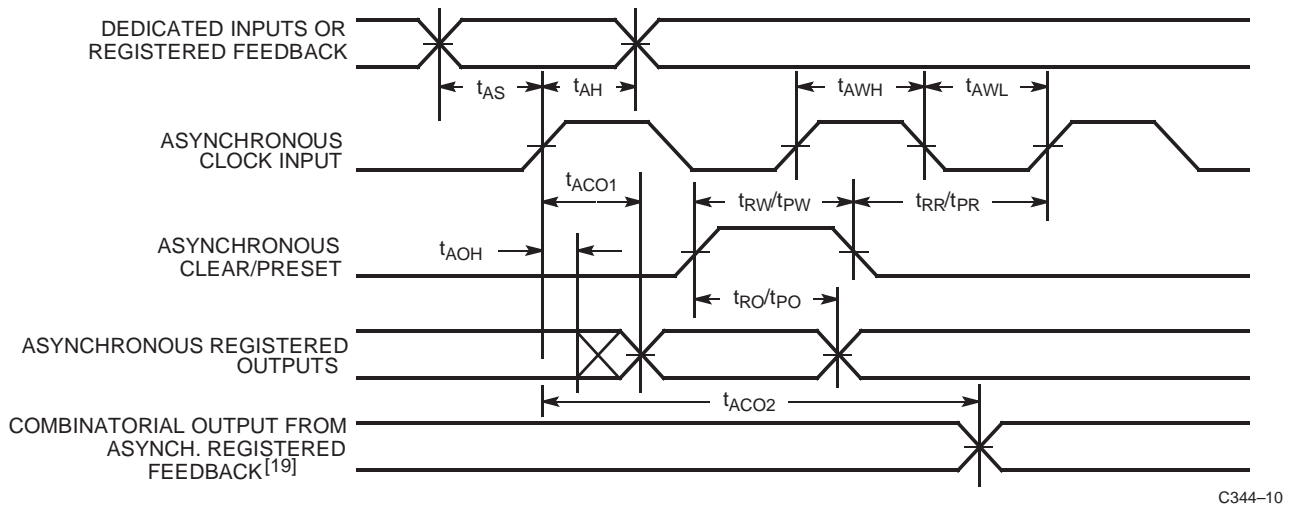
### External Combinatorial



### External Synchronous

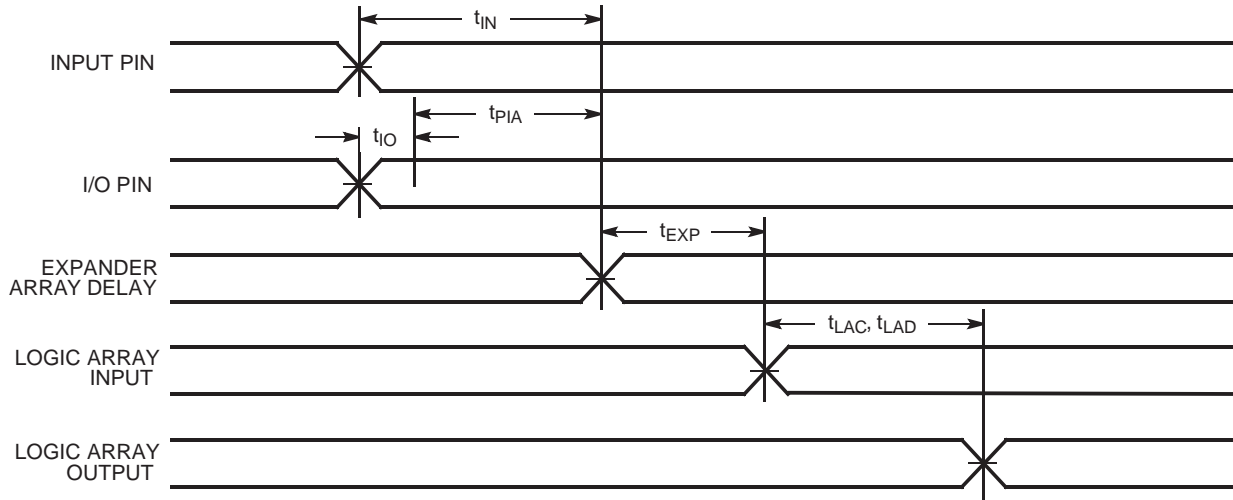


### External Asynchronous



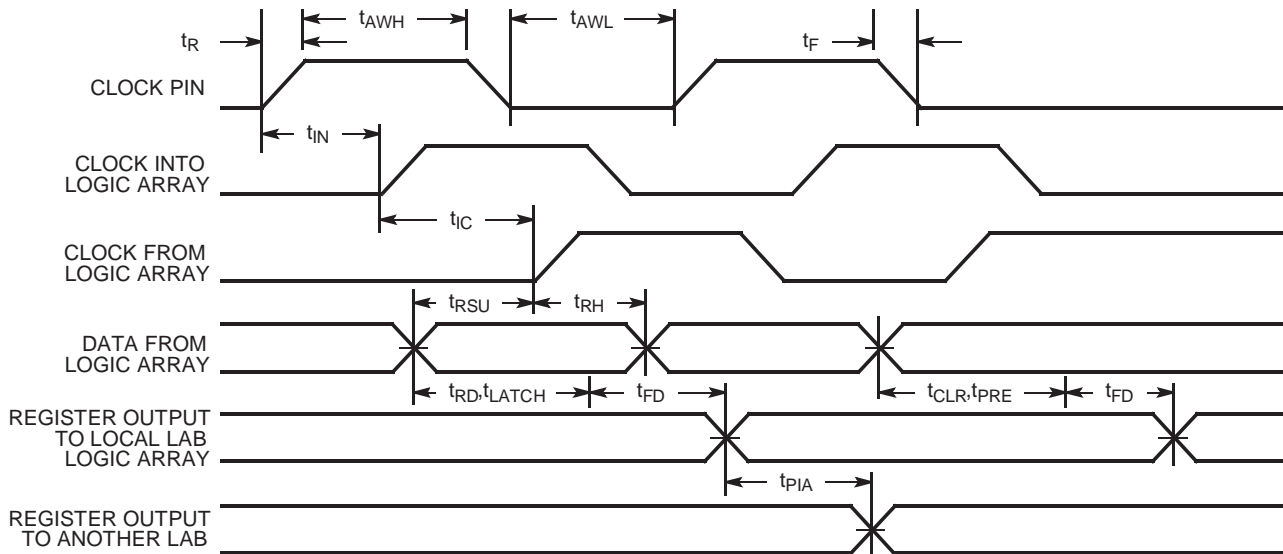
**Switching Waveforms (Continued)**

**Internal Combinatorial**



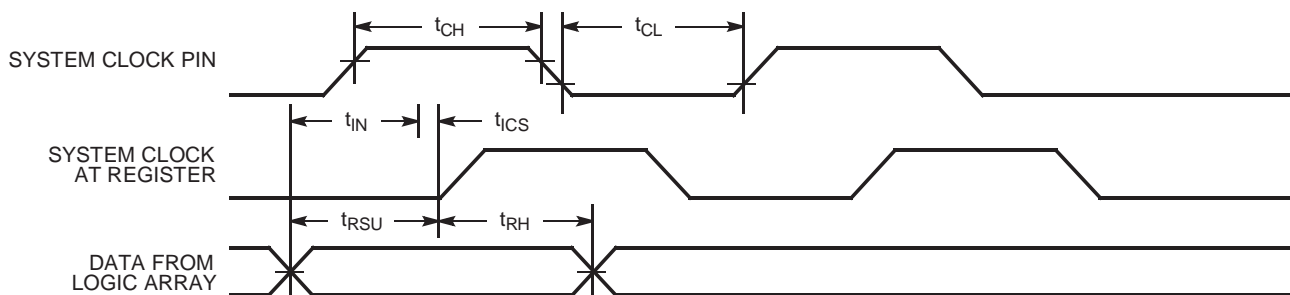
C344-11

**Internal Asynchronous**

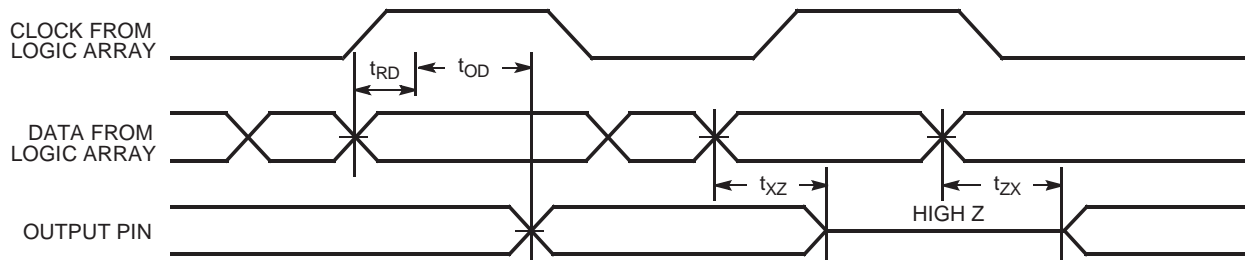


C344-12

**Internal Synchronous (Input Path)**



C344-13

**Switching Waveforms (Continued)**
**Internal Synchronous (Output Path)**


C344-14

**Ordering Information**

Speed (ns)	Ordering Code	Package Name	Package Type	Operating Range		
10	CY7C344B-10HC	H64	28-Lead Windowed Leaded Chip Carrier	Commercial		
	CY7C344B-10JC	J64	28-Lead Plastic Leaded Chip Carrier			
	CY7C344B-10PC	P21	28-Lead (300-Mil) Molded DIP			
	CY7C344B-10WC	W22	28-Lead Windowed CerDIP			
12	CY7C344B-12HC/HI	H64	28-Lead Windowed Leaded Chip Carrier	Commercial/Industrial		
	CY7C344B-12JC/JI	J64	28-Lead Plastic Leaded Chip Carrier			
	CY7C344B-12PC/PI	P21	28-Lead (300-Mil) Molded DIP			
	CY7C344B-12WC/WI	W22	28-Lead Windowed CerDIP			
	CY7C344B-12HMB	H64	28-Lead Windowed Leaded Chip Carrier	Military		
	CY7C344B-12WMB	W22	28-Lead Windowed CerDIP			
15	CY7C344-15HC/HI	H64	28-Lead Windowed Leaded Chip Carrier	Commercial/Industrial		
	CY7C344-15JC/JI	J64	28-Lead Plastic Leaded Chip Carrier			
	CY7C344-15PC/PI	P21	28-Lead (300-Mil) Molded DIP			
	CY7C344-15WC/WI	W22	28-Lead Windowed CerDIP			
	CY7C344B-15HC/HI	H64	28-Lead Windowed Leaded Chip Carrier			
	CY7C344B-15JC/JI	J64	28-Lead Plastic Leaded Chip Carrier			
	CY7C344B-15PC/PI	P21	28-Lead (300-Mil) Molded DIP			
	CY7C344B-15WC/WI	W22	28-Lead Windowed CerDIP			
	CY7C344B-15HMB	H64	28-Lead Windowed Leaded Chip Carrier	Military		
	CY7C344B-15WMB	W22	28-Lead Windowed CerDIP			
	20	CY7C344-20HC/HI	H64		28-Lead Windowed Leaded Chip Carrier	Commercial/Industrial
		CY7C344-20JC/JI	J64		28-Lead Plastic Leaded Chip Carrier	
CY7C344-20PC/PI		P21	28-Lead (300-Mil) Molded DIP			
CY7C344-20WC/WI		W22	28-Lead Windowed CerDIP			
CY7C344B-20HC/HI		H64	28-Lead Windowed Leaded Chip Carrier			
CY7C344B-20JC/JI		J64	28-Lead Plastic Leaded Chip Carrier			
CY7C344B-20PC/PI		P21	28-Lead (300-Mil) Molded DIP			
CY7C344B-20WC/WI		W22	28-Lead Windowed CerDIP			
CY7C344-20HMB		H64	28-Lead Windowed Leaded Chip Carrier	Military		
CY7C344-20WMB		W22	28-Lead Windowed CerDIP			
CY7C344B-20HMB		H64	28-Lead Windowed Leaded Chip Carrier			
CY7C344B-20WMB		W22	28-Lead Windowed CerDIP			

Shaded area contains preliminary information.

**Ordering Information** (continued)

Speed (ns)	Ordering Code	Package Name	Package Type	Operating Range
25	CY7C344–25HC/HI	H64	28-Lead Windowed Leaded Chip Carrier	Commercial/Industrial
	CY7C344–25JC/JI	J64	28-Lead Plastic Leaded Chip Carrier	
	CY7C344–25PC/PI	P21	28-Lead (300-Mil) Molded DIP	
	CY7C344–25WC/WI	W22	28-Lead Windowed CerDIP	
	CY7C344B–25HC/HI	H64	28-Lead Windowed Leaded Chip Carrier	
	CY7C344B–25JC/JI	J64	28-Lead Plastic Leaded Chip Carrier	
	CY7C344B–25PC/PI	P21	28-Lead (300-Mil) Molded DIP	
	CY7C344B–25WC/WI	W22	28-Lead Windowed CerDIP	
	CY7C344–25HMB	H64	28-Lead Windowed Leaded Chip Carrier	Military
	CY7C344–25WMB	W22	28-Lead Windowed CerDIP	
	CY7C344B–25HMB	H64	28-Lead Windowed Leaded Chip Carrier	
	CY7C344B–25WMB	W22	28-Lead Windowed CerDIP	

Shaded area contains preliminary information.

**MILITARY SPECIFICATIONS**  
**Group A Subgroup Testing**
**DC Characteristics**

Parameter	Subgroups
$V_{OH}$	1, 2, 3
$V_{OL}$	1, 2, 3
$V_{IH}$	1, 2, 3
$V_{IL}$	1, 2, 3
$I_{IX}$	1, 2, 3
$I_{OZ}$	1, 2, 3
$I_{CC1}$	1, 2, 3

**Switching Characteristics**

Parameter	Subgroups
$t_{PD1}$	7, 8, 9, 10, 11
$t_{PD2}$	7, 8, 9, 10, 11
$t_{PD3}$	7, 8, 9, 10, 11
$t_{CO1}$	7, 8, 9, 10, 11
$t_S$	7, 8, 9, 10, 11
$t_H$	7, 8, 9, 10, 11
$t_{ACO1}$	7, 8, 9, 10, 11
$t_{ACO1}$	7, 8, 9, 10, 11
$t_{AS}$	7, 8, 9, 10, 11
$t_{AH}$	7, 8, 9, 10, 11

Document #: 38–00127–G

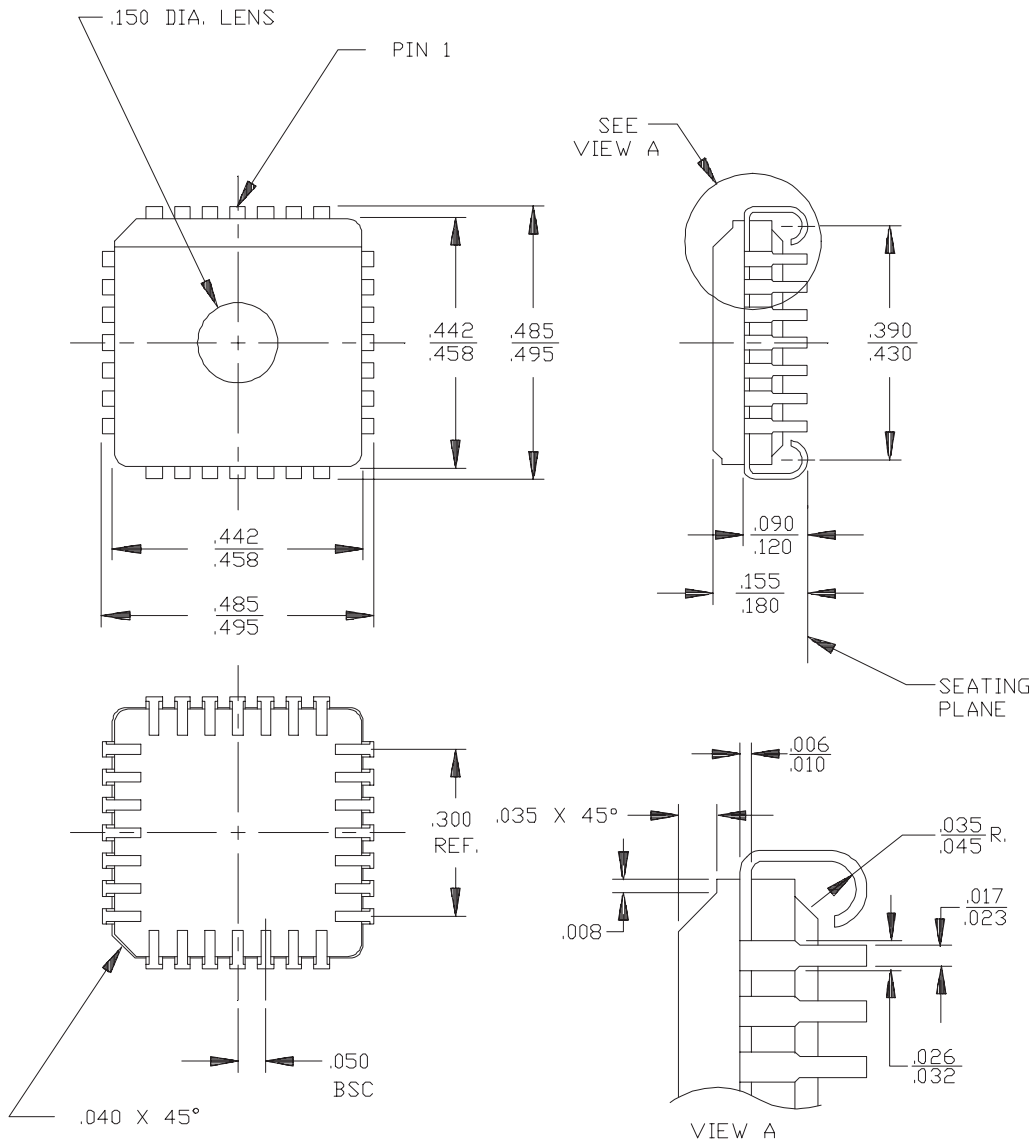
MAX is a registered trademark of Altera Corporation.

Warp2 and Warp3 are registered trademarks of Cypress Semiconductor Corporation.

Warp2Sim is a trademark of Cypress Semiconductor Corporation.

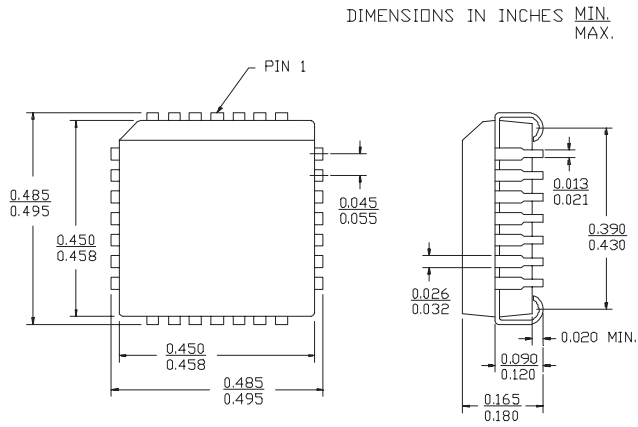
**Package Diagrams**

**28-Pin Windowed Leaded Chip Carrier H64**

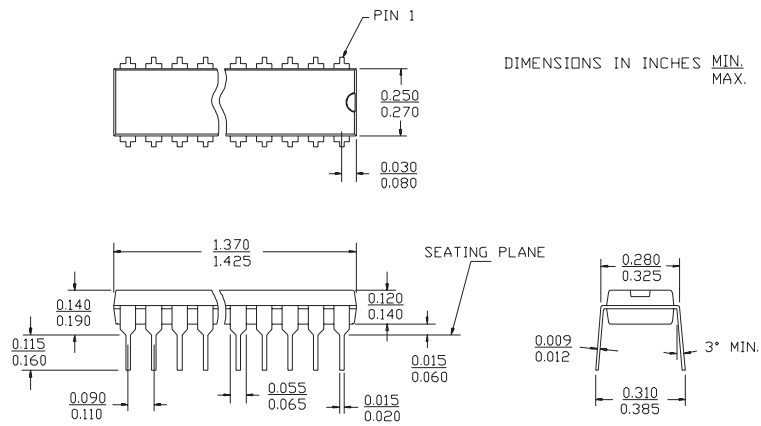


**Package Diagrams (Continued)**

**28-Lead Plastic Leaded Chip Carrier J64**



**28-Lead (300-Mil) Molded DIP P21**





Package Diagrams (Continued)

**28-Lead (300-Mil) Windowed CerDIP W22**  
MIL-STD-1835 D- 15Config.A

