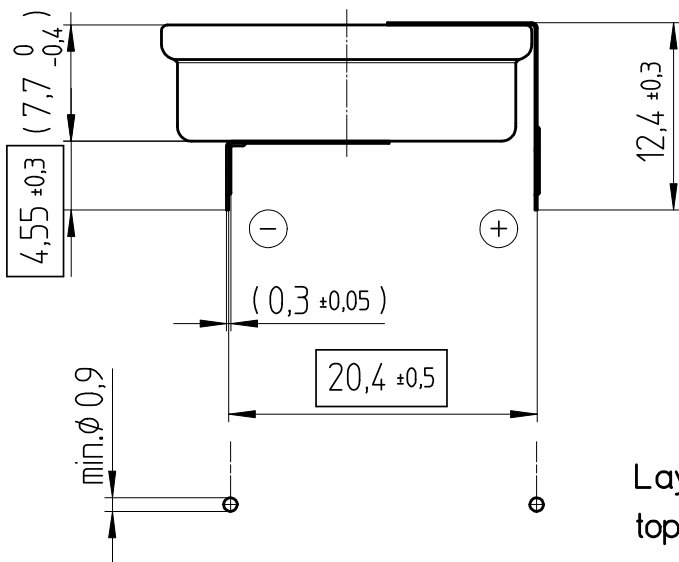
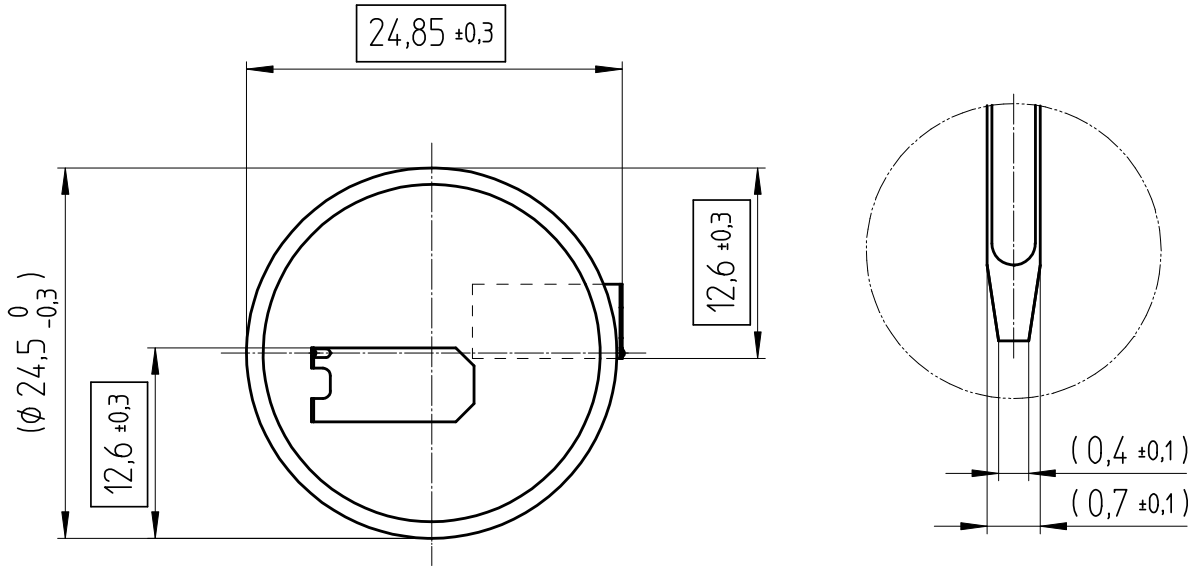


Art.-Number: 701100



Layout  
top view

- Samples can deviate in the execution from the serie.

Tab material: Stainless steel

All framed values will be used for dimension checking !

- Dimensions and tolerances can be specified only after the testing of the devices for the mass production definitely

Rev.	○			Rev.	○			Customer's Approval		
Rev.	○			Rev.	○			Date		
Rev.	○			Rev.	○			Signature		
Titel:							Scale	Drawn	06.01.05	SRi
CR2477NFH-LF							2:1	Checked	07.02.05	MHo
								Approved		
							CH-4452 Itingen		3.8738.4-	
							Switzerland			

# Mouser Electronics

Authorized Distributor

Click to View Pricing, Inventory, Delivery & Lifecycle Information:

[Renata:](#)

[CR2477NFH-LF](#)