

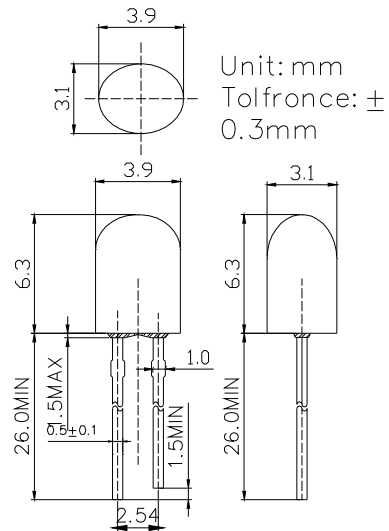
■Features

- High Luminous Output
- Color Diffused Type
- Superior Weather-resistance
- Chip Material : AlGaInP
- RoHS Compliant

■Applications

- Automotive Dashboard Lighting
- Commercial Outdoor Signs
- Back Lighting

■Outline Dimension



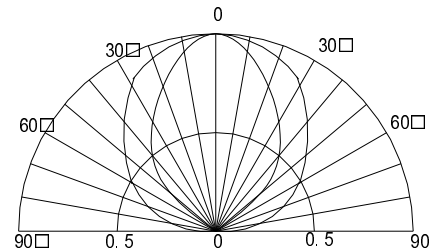
■Absolute Maximum Rating

(Ta=25°C)

Item	Symbol	Value	Unit
DC Forward Current	$I_F$	20	mA
Pulse Forward Current*	$I_{FP}$	70	mA
Reverse Voltage	$V_R$	5	V
Power Dissipation	$P_D$	40	mW
Operating Temperature	$T_{opr}$	-30 ~ +85	°C
Storage Temperature	$T_{stg}$	-30 ~ +100	°C
Lead Soldering Temperature	$T_{sol}$	260°C/5sec	-

\*Pulse width Max.10ms Duty ratio max 1/10

■Directivity



■Electrical -Optical Characteristics

(Ta=25°C)

Item	Symbol	Condition	Min.	Typ.	Max	Unit
DC Forward Voltage	$V_F$	$I_F=20mA$	1.8	2.0	2.4	V
DC Reverse Current	$I_R$	$V_R=5V$	-	-	10	μA
Dom. Wavelength	$\lambda_D$	$I_F=20mA$	585	590	595	nm
Luminous Intensity	$I_v$	$I_F=20mA$	350	500	750	mcd
50% Power Angle	$2\theta_{1/2}$	$I_F=20mA$	-	120/80	-	deg