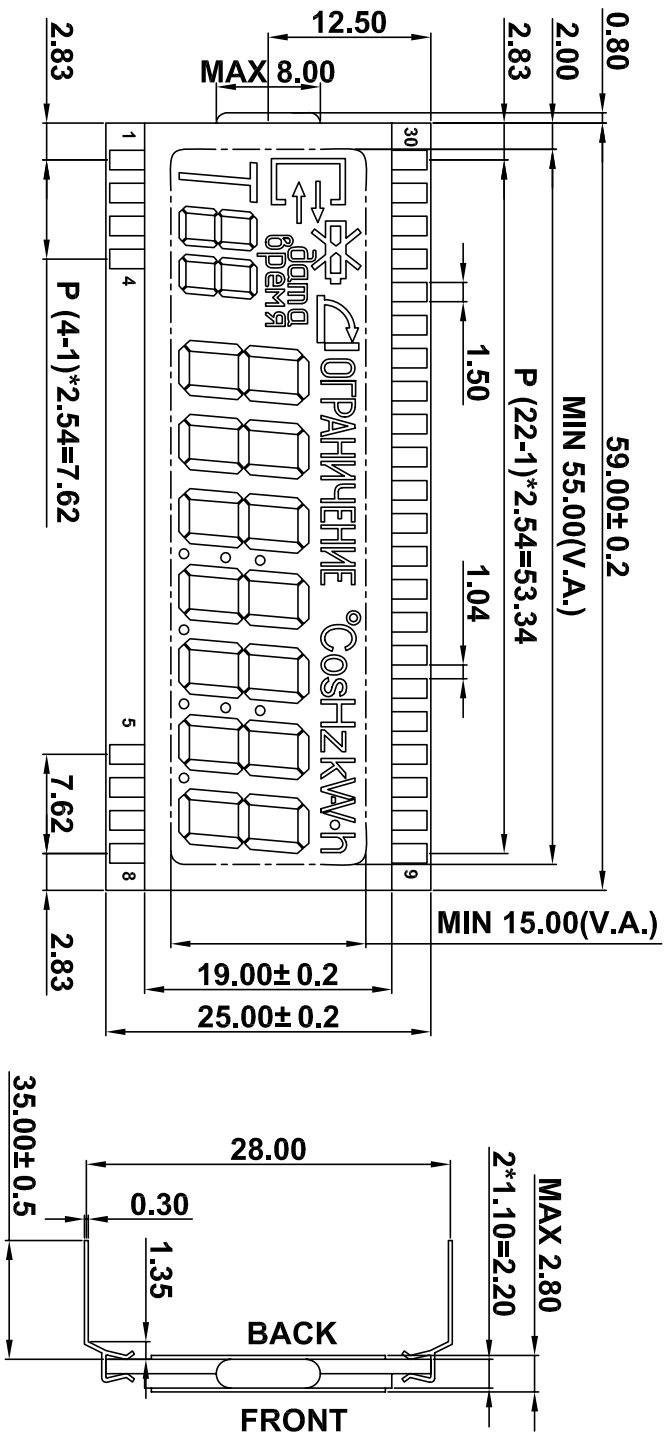


Note: This is only the draft for quotation reference, please don't take it as the tooling basis

Ver	Date	Modify	Contents	Issue	Confirm

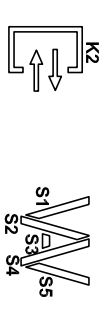
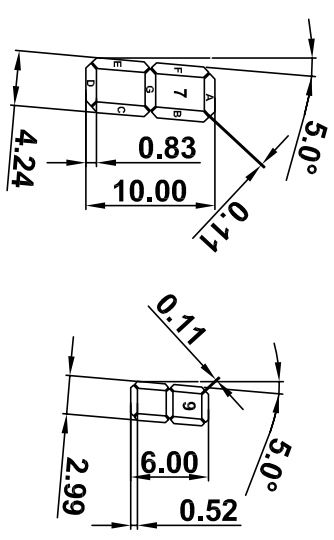
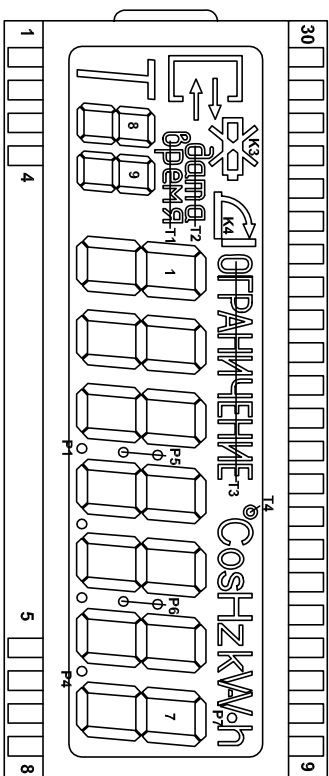


- NOTE:**
1. DUTY: 1/4 BAIS:1/3
  2. VOLTAGE: 3.5V
  3. VIEWING ANGLE: 6:00
  4. DISPLAY TYPE: POSITIVE/REFLECTIVE/TN
  5. OPERATING TEMP: -40° C TO 85° C
  6. STORAGE TEMP: -45° C TO 85° C
  7. CONNECTION: PIN
  8. ROHS: Y

<p><b>FORDATA</b> FOR DATA DISPLAY</p>		<p><b>FORDATA ELECTRONIC CO.,LTD</b> 厦门孚德电子有限公司</p>	
DRAWN BY: 蔡燕东	DRAWN NO.: DRAFT	UNIT: mm	REV. A01
CHECKED BY: 李松林	PRODUCT NO.: FDP0441B-RTBPFY	DATE: 2010-10-15	
CHECKED DOC: FEQC0000000	DATE: 2010-10-15	SHEET 1	OF 1

Note: This is only the draft for quotation reference, please don't take it as the tooling basis

Ver	Date	Modify	Contents	Issue	Confirm



PIN	1	2	3	4	5	6	7	8	9	10	11	12	13	14	15	16	17	18	19	20	21	22	23	24	25	26	27	28	29	30
COM1	COM1	...	...	...	...	...	...	COM1	S4	K	P4	A7	P6	A6	P3	A5	P2	A4	P5	A3	P1	A2	T4	A1	T3	T1	A9	K2	A8	T
COM2	...	COM2	...	...	...	...	COM2	...	S5	S1	C	B7	F7	B6	F6	B5	F5	B4	F4	B3	F3	B2	F2	B1	F1	T2	B9	F9	B8	F8
COM3	...	...	COM3	...	...	...	COM3	...	P7	S2	OS	G7	E7	G6	E6	G5	E5	G4	E4	G3	E3	G2	E2	G1	E1	K3	G9	E9	G8	E8
COM4	...	...	...	COM4	COM4	...	...	...	S3	HZ	C7	D7	C6	D6	C5	D5	C4	D4	C3	D3	C2	D2	C1	D1	K4	C9	D9	C8	D8	

- NOTE:
1. DUTY: 1/4 BAIS:1/3
  2. VOLTAGE: 3.5V
  3. VIEWING ANGLE: 6:00
  4. DISPLAY TYPE: POSITIVE/REFLECTIVE/TN
  5. OPERATING TEMP: -40° C TO 85° C
  6. STORAGE TEMP: -45° C TO 85° C
  7. CONNECTION: PIN
  8. ROHS: Y

<p><b>FORDATA</b> FOR DATA DISPLAY</p>		<p><b>FORDATA ELECTRONIC CO.,LTD</b> 厦门孚德电子有限公司</p>	
DRAWN BY:	张燕杰	DRAWN NO.:	
CHECKED BY:	张燕杰	PRODUCT NO.:	FDP0441B-RTBPFY
CHECKED DOC:	FEQC0000000	REV.	A01
DATE:	2010-10-15	SHEET	1 OF 1