

PC BOARD MOUNTING CONNECTORS

720 SERIES (CRIMP TYPE CONNECTORS)

■ FEATURES

The 720 series connectors (crimp connector) are designed for a wide range of uses, and come in many shapes, two contact arrangements (one and two rows), and various pin types. The 720 series headers can be mated with 700 and 740 series sockets, and are lockable when a special cover is used. Female contacts are secured in the housing by a unique internal spring structure. High-pressure contacts are also available which prevent accidental disconnection in applications that use only a few contacts.

For W and S type headers, insulation molds can be cut to the necessary size.

■ SPECIFICATIONS

Item		Specification
Operating temperature range		-55°C to +85°C
Current rating		DC 3 A
Voltage rating		AC 250 V
Contact resistance		20 mΩ max. (DC 6 V, 0.1 A)
Insulation resistance		1000 MΩ max. (DC 500 V)
Dielectric strength		AC 500 V for 1 minute
Insertion force	Standard contacts	1.05 kg max. (3 pins), 25.2 kg max. (72 pins)
	High-pressure contacts	2.1 kg max. (3 pins), 50.4 kg max. (72 pins)
Withdrawal force	Standard contacts	0.09 kg min. (3 pins), 2.16 kg min. (72 pins)
	High-pressure contacts	0.18 kg min. (3 pins), 4.32 kg min. (72 pins)
Applicable wire		Wire-wrap: AWG #26 to #30 (solid) Crimping: AWG #20 to #32
Applicable PC board (standard)		1.6 mm (0.062 in.)

Note: For thin wire crimping, the crimp height must be adjusted for increased reliability. Please contact us for further information.



■ MATERIALS

Item		Materials
Insulating material	Header	Polyester (UL94V-0)
	Socket	PPO (UL94V-1)
	Cover	Nylon 6 (UL94V-2)
Conductor		Copper alloy
Plating	Contact	Gold
	Terminal	Palladium

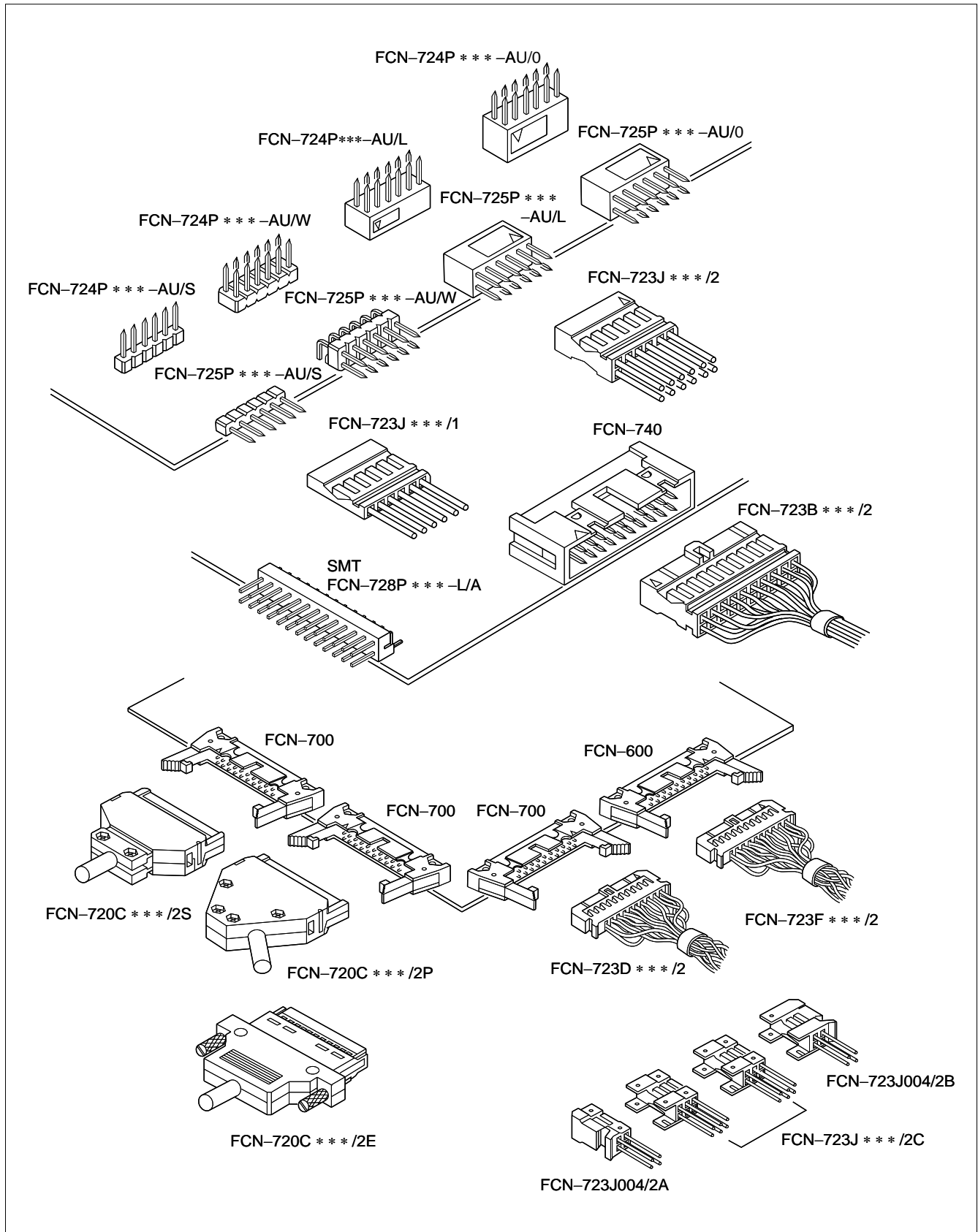
Note: Tin-plated connectors are also available for 8- to 34-pin types.

■ MATERIALS (SMT CONNECTOR)

Item		Materials
Insulating material		66 Nylon (UL94V-0)
Conductor		Copper alloy
Plating	Contact	Gold
	Terminal	Palladium

720 Series (Crimp Type Connectors)

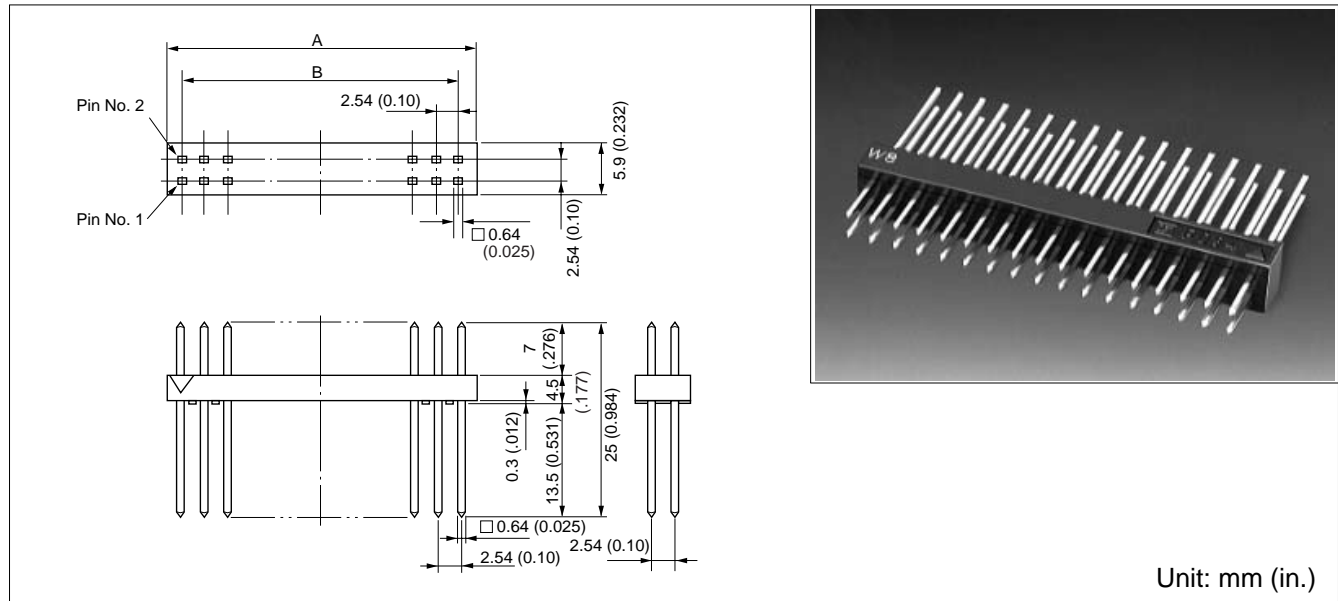
APPLICATION EXAMPLE



720 Series (Crimp Type Connectors)

WIRE-WRAPPING BLOCK HEADER (L TYPE)

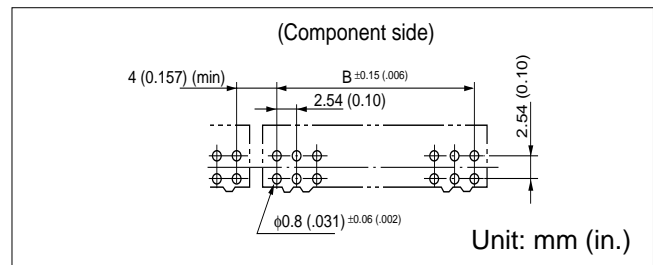
■ DIMENSIONS



■ PART NUMBERS AND DIMENSIONS

Number of contacts	Part number	Dimensions (unit: mm (in.))	
		A	B
10*	FCN-722P010-AU/L	13.70 (.0539)	10.16 (0.400)
12	FCN-722P012-AU/L	16.24 (.0639)	12.70 (0.500)
14*	FCN-722P014-AU/L	18.78 (.0739)	15.24 (0.600)
16*	FCN-722P016-AU/L	21.32 (.0839)	17.78 (0.700)
18	FCN-722P018-AU/L	23.86 (.0939)	20.32 (0.800)
20*	FCN-722P020-AU/L	26.40 (1.039)	22.86 (0.900)
22	FCN-722P022-AU/L	28.94 (1.139)	25.40 (1.000)
24	FCN-722P024-AU/L	31.48 (1.239)	27.94 (1.100)
26*	FCN-722P026-AU/L	34.02 (1.339)	30.48 (1.200)
28	FCN-722P028-AU/L	36.56 (1.439)	33.02 (1.300)
30*	FCN-722P030-AU/L	39.10 (1.539)	35.56 (1.400)
32	FCN-722P032-AU/L	41.64 (1.639)	38.10 (1.500)
34*	FCN-722P034-AU/L	44.18 (1.739)	40.64 (1.600)
36	FCN-722P036-AU/L	46.72 (1.839)	43.18 (1.700)
38	FCN-722P038-AU/L	49.26 (1.939)	45.72 (1.800)
40*	FCN-722P040-AU/L	51.80 (2.039)	48.26 (1.900)
42	FCN-722P042-AU/L	54.34 (2.139)	50.80 (2.000)
44	FCN-722P044-AU/L	56.88 (2.239)	53.34 (2.100)
46	FCN-722P046-AU/L	59.42 (2.339)	55.88 (2.200)
48	FCN-722P048-AU/L	61.96 (2.439)	58.42 (2.300)
50*	FCN-722P050-AU/L	64.50 (2.539)	60.96 (2.400)
52	FCN-722P052-AU/L	67.04 (2.639)	63.50 (2.500)
54	FCN-722P054-AU/L	69.58 (2.739)	66.04 (2.600)
56	FCN-722P056-AU/L	72.12 (2.839)	68.58 (2.700)
58	FCN-722P058-AU/L	74.66 (2.939)	71.12 (2.800)
60*	FCN-722P060-AU/L	77.20 (3.039)	73.66 (2.900)

■ MOUNTING HOLE LAYOUT



Note: Standard headers are indicated by numbers starting with * for the number of contacts.