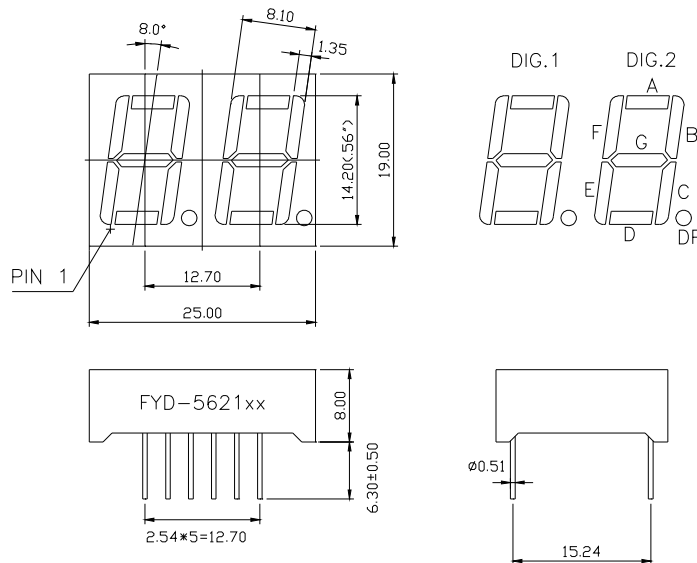


DESCRIPTION

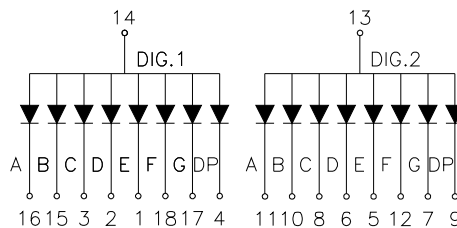
- 14.20mm (0.56")Dual digit numeric display series.
- Standard brightness.
- Low current operation.
- Excellent character appearance.
- Easy mounting on P.C.boards or sockets

Package Dimensions & Internal Circuit Diagram

FYD-5621 Series



FYD-5621Fx



Notes:

·All dimensions are in millimeters (inches)

·Tolerance is $\pm 0.25(0.01)$ unless otherwise noted.

地址: 宁波市启新路 115 号

ZIP:315051

Add: No.115 Qinxin Road Ningbo Zhejiang China

TEL : 0574-87933652 87927870 FAX : 0574-87927917

[Http://www.foryard.com](http://www.foryard.com)

E-mail:sales@foryard.com

·Specifications are subject to change without notice.

: Absolute maximum ratings (Ta=25°C)

Parameter	Symbol	Test Condition	Value		Unit
			Min	Max	
Reverse Voltage	VR	IR=30μA	5	-----	V
Forward Current	IF	-----	-----	30	mA
Power Dissipation	Pd	-----	-----	100	mW
Pulse Current	Ipeak	Duty=0.1mS, 1KHz	-----	150	mA
Operating Temperature	Topr	-----	-40	+85	°C
Storage Temperature	Tstr	-----	-40	+85	°C

--XX: Surface / Lens color :

Number	0	1	2	3	4	5
Ref Surface Color	White	Black	Gray	Red	Green	
Epoxy Color	Water clear	White diffused	Red Diffused	Green Diffused	Yellow Diffused	

■ **Description:**

·Color Code & Chip characteristics: **(Test Condition: IF=20mA)**

Emitting Color	Dice Material	Peak Wave Length(λp)	Spectral Line halfwidth(λ1/2)	Forward Voltage(VF) Unit:V		Luminous Intensity (Iv) Unit:mcd
				Typ	Max	
E Orange	GaAsP	625nm	35nm	2.10	2.50	8-15
Segment-to-Segment Luminous Intensity ratio(Iv-M)					1.5:1	

地址: 宁波市启新路 115 号

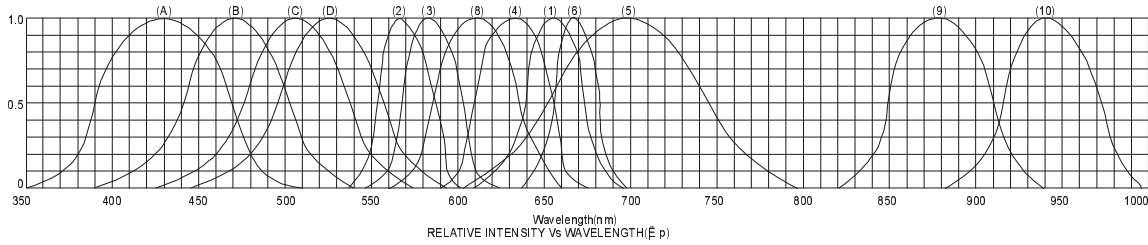
ZIP:315051

Add: No.115 Qinxin Road Ningbo Zhejiang China

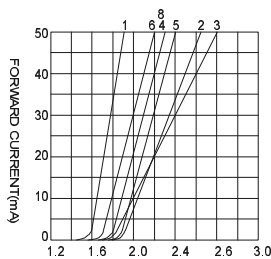
TEL : 0574-87933652 87927870 FAX : 0574-87927917

[Http://www.foryard.com](http://www.foryard.com)

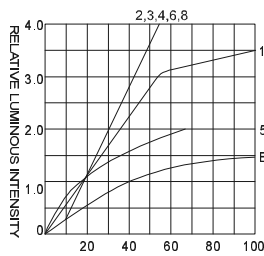
E-mail:sales@foryard.com



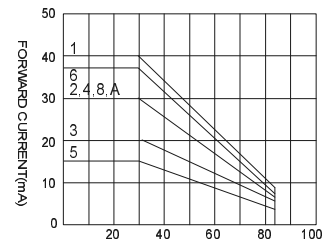
- | | |
|---|--------------------------------------|
| (1) - GaAsP/GaAs 655nm/Red | (9) - GaAlAs 880nm |
| (2) - GaP 570nm/Yellow Green | (10) - GaAs/GaAs & GaAlAs/GaAs 940nm |
| (3) - GaAsP/GaP 585nm/Yellow | (A) - GaN/SiC 430nm/Blue |
| (4) - GaAsP/GaP 635nm/Orange & Hi-Eff Red | (B) - InGaN/SiC 470nm/Blue |
| (5) - GaP 700nm/Bright Red | (C) - InGaN/SiC 505nm/Ultra Green |
| (6) - GaAlAs/GaAs 660nm/Super Red | (D) - InGaAl/SiC 525nm/Ultra Green |
| (8) - GaAsP/GaP 610nm/Super Red | |



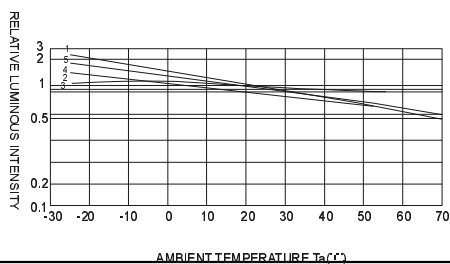
FORWARD VOLTAGE (V)
FORWARD CURRENT VS.
FORWARD VOLTAGE



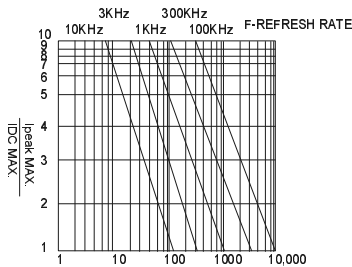
FORWARD CURRENT (mA)
RELATIVE LUMINOUS
INTENSITY VS. FORWARD
CURRENT



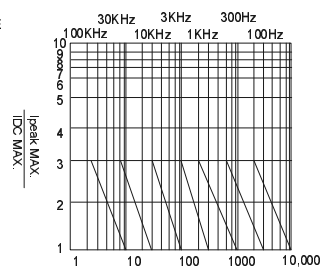
AMBIENT TEMPERATURE Ta(°C)
FORWARD CURRENT VS. AMBIENT
TEMPERATURE



AMBIENT TEMPERATURE Ta(°C)



(1,2,3,4,6,8,B,D,J,K)



(5)

地址: 宁波市启新路 115 号

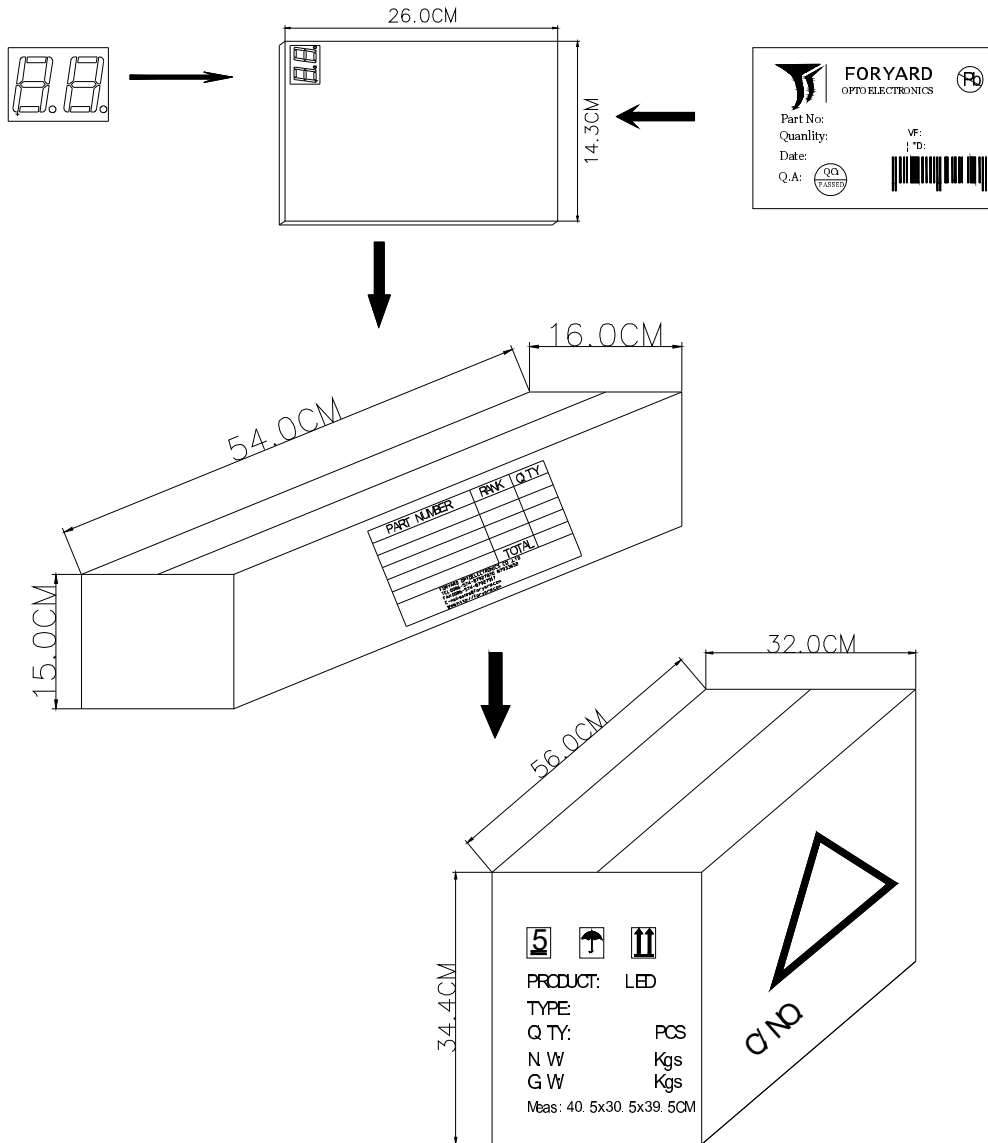
NOTE: 25°C, free air temperature unless otherwise specified

Add: No.115 Qinxin Road Ningbo Zhejiang China

TEL : 0574-87933652 87927870 FAX : 0574-87927917

[Http://www.foryard.com](http://www.foryard.com)

E-mail:sales@foryard.com



type	QTY/foam(pcs)	QTY /Bundle (pcs)	QTY /CARTONDimension
FYD-5621FE-21	5*13=65	65*16=1040	1040*4=4160

地址: 宁波市启新路 115 号

ZIP:315051

Add: No.115 Qinxin Road Ningbo Zhejiang China

TEL : 0574-87933652 87927870 FAX : 0574-87927917

[Http://www.foryard.com](http://www.foryard.com)

E-mail:sales@foryard.com