



# LOW SKEW PLL-BASED CMOS CLOCK DRIVER

**IDT74FCT88915TT**  
**55/70/100/133**

## FEATURES:

- 0.5 MICRON CMOS Technology
- Input frequency range: 10MHz – f2Q Max. spec (FREQ\_SEL = HIGH)
- Max. output frequency: 133MHz
- Pin and function compatible with MC88915
- Five non-inverting outputs, one inverting output, one 2x output, one ÷2 output; all outputs are TTL-compatible
- Output Skew < 500ps (max.)
- Duty cycle distortion < 500ps (max.)
- Part-to-part skew: 0.55ns (from tPD max. spec)
- 64/-15mA drive at TTL output voltage levels
- Available in PLCC and SSOP packages

## DESCRIPTION:

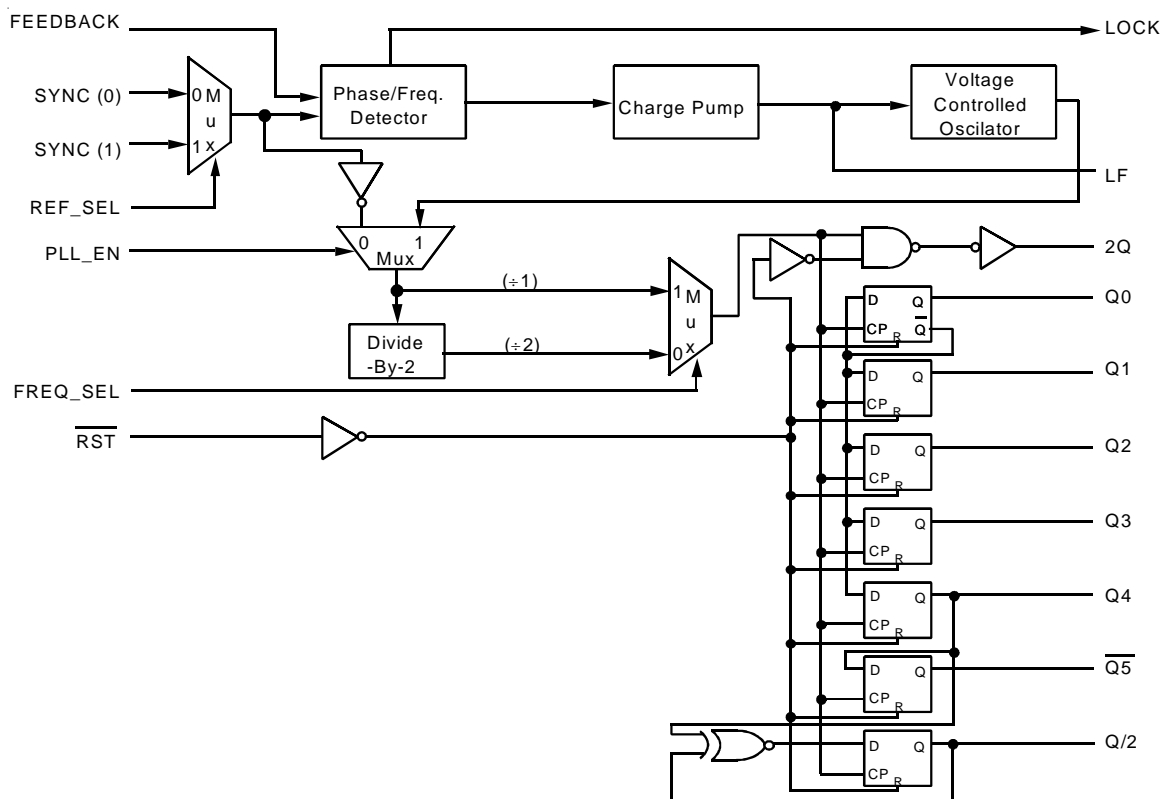
The FCT88915TT uses phase-lock loop technology to lock the frequency and phase of outputs to the input reference clock. It provides low skew clock distribution for high performance PCs and workstations. One of the outputs is fed back to the PLL at the FEEDBACK input resulting in essentially zero delay across the device. The PLL consists of the phase/frequency detector, charge pump, loop filter and VCO. The VCO is designed to run optimally between 20MHz and f2Q Max.

The FCT88915TT provides eight outputs with 500ps skew. The  $\overline{Q5}$  output is inverted from the Q outputs. The 2Q runs at twice the Q frequency and Q/2 runs at half the Q frequency.

The FREQ\_SEL control provides an additional ÷2 option in the output path. PLL\_EN allows bypassing of the PLL, which is useful in static test modes. When PLL\_EN is low, SYNC input may be used as a test clock. In this test mode, the input frequency is not limited to the specified range and the polarity of outputs is complementary to that in normal operation (PLL\_EN = 1). The LOCK output attains logic high when the PLL is in steady-state phase and frequency lock.

The FCT88915TT requires external loop filter components as recommended in Figure 2.

## FUNCTIONAL BLOCK DIAGRAM

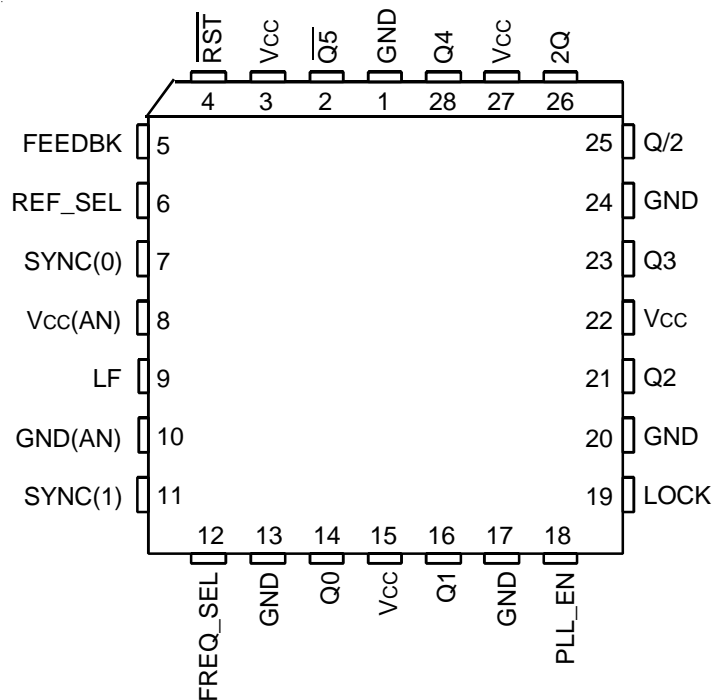


The IDT logo is a registered trademark of Integrated Device Technology, Inc.

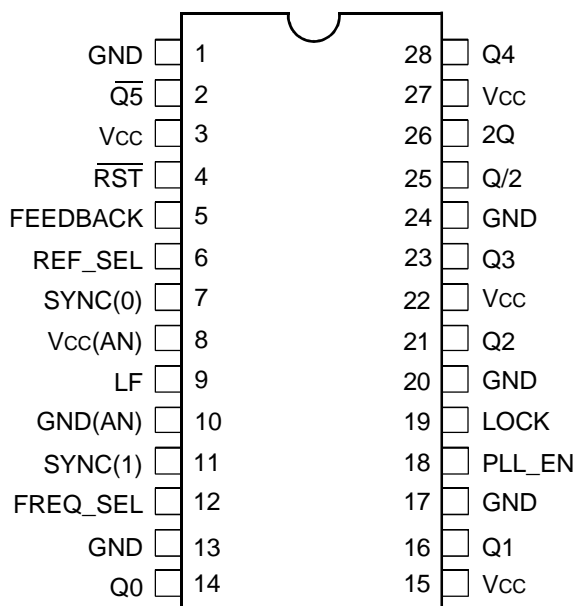
COMMERCIAL TEMPERATURE RANGE

MARCH 2001

## PIN CONFIGURATIONS



PLCC  
TOP VIEW



SSOP  
TOP VIEW

## PIN DESCRIPTION

Pin Name	I/O	Description
SYNC(0)	I	Reference clock input
SYNC(1)	I	Reference clock input
REF_SEL	I	Chooses reference between SYNC (0) & SYNC (1) (refer to functional block diagram)
FREQ_SEL	I	Selects between $\div 1$ and $\div 2$ frequency options (refer to functional block diagram)
FEEDBACK	I	Feedback input to phase detector
LF	I	Input for external loop filter connection
Q0-Q4	O	Clock outputs
$\overline{Q5}$	O	Inverted clock output
2Q	O	Clock output (2 x Q frequency)
Q/2	O	Clock output (Q frequency $\div 2$ )
LOCK	O	Indicates phase lock has been achieved (HIGH when locked)
$\overline{RST}$	I	Asynchronous reset (active LOW)
PLL_EN	I	Disables phase-lock for low frequency testing (refer to functional block diagram)

## ABSOLUTE MAXIMUM RATINGS(1)

Symbol	Description	Max.	Unit
V <sub>TERM</sub> (2)	Terminal Voltage with Respect to GND	-0.5 to 7	V
V <sub>TERM</sub> (3)	Terminal Voltage with Respect to GND	-0.5 to V <sub>CC</sub> +0.5	V
T <sub>A</sub>	Operating Temperature	0 to +70	°C
T <sub>BIAS</sub>	Temperature Under Bias	-55 to +125	°C
T <sub>STG</sub>	Storage Temperature	-55 to +125	°C
I <sub>OUT</sub>	DC Output Current	-60 to 120	mA

### NOTES:

- Stresses greater than those listed under ABSOLUTE MAXIMUM RATINGS may cause permanent damage to the device. This is a stress rating only and functional operation of the device at these or any other conditions above those indicated in the operational sections of this specification is not implied. Exposure to absolute maximum rating conditions for extended periods may affect reliability. No terminal voltage may exceed V<sub>CC</sub> by +0.5V unless otherwise noted.
- Input and V<sub>CC</sub> terminals.
- Outputs and I/O terminals.

## CAPACITANCE (T<sub>A</sub> = +25°C, f = 1.0MHz)

Symbol	Parameter(1)	Conditions	Typ.	Max.	Unit
C <sub>IN</sub>	Input Capacitance	V <sub>IN</sub> = 0V	4.5	6	pF
C <sub>OUT</sub>	Output Capacitance	V <sub>OUT</sub> = 0V	5.5	8	pF

### NOTE:

- This parameter is measured at characterization but not tested.

## SYNC INPUT TIMING REQUIREMENTS

Symbol	Parameter	Min.	Max.	Unit
T <sub>RISE/FALL</sub>	Rise/Fall Times, SYNC inputs (0.8V to 2.0V)	—	3	ns
Frequency	Input Frequency, SYNC Inputs	10	2Q f <sub>max</sub>	MHz
Duty Cycle	Input Duty Cycle, SYNC Inputs	25%	75%	—

## DC ELECTRICAL CHARACTERISTICS OVER OPERATING RANGE

Following Conditions Apply Unless Otherwise Specified:

Commercial: T<sub>A</sub> = 0°C to 70°C, V<sub>CC</sub> = 5.0V ±5%

Symbol	Parameter	Test Conditions(1)	Min.	Typ.(2)	Max.	Unit
V <sub>IH</sub>	Input HIGH Level	Guaranteed Logic HIGH Level	2	—	—	V
V <sub>IL</sub>	Input LOW Level	Guaranteed Logic LOW Level	—	—	0.8	V
I <sub>IH</sub>	Input HIGH Current	V <sub>CC</sub> = Max.      V <sub>I</sub> = V <sub>CC</sub> V <sub>I</sub> = GND	—	—	±1	μA
I <sub>IL</sub>	Input LOW Current		—	—	±1	μA
V <sub>IK</sub>	Clamp Diode Voltage	V <sub>CC</sub> = Min., I <sub>IN</sub> = -18mA	—	-0.7	-1.2	V
V <sub>IH</sub>	Input Hysteresis	—	—	100	—	mV
V <sub>OH</sub>	Output HIGH Voltage	V <sub>CC</sub> = Min.      I <sub>OH</sub> = -15mA	2.4	3.5	—	V
V <sub>OL</sub>	Output LOW Voltage	V <sub>CC</sub> = Min.      I <sub>OL</sub> = 64mA	—	0.2	0.55	V
I <sub>CC1</sub> I <sub>CC2</sub>	Quiescent Power Supply Current	V <sub>CC</sub> = Max., V <sub>IN</sub> = GND or V <sub>CC</sub> (Test mode, LF connected to GND)	—	2	4	mA

### NOTES:

- For conditions shown as Min. or Max., use appropriate value specified under Electrical Characteristics for the applicable device type.
- Typical values are at V<sub>CC</sub> = 5.0V, +25°C ambient.
- Not more than one output should be tested at one time. Duration of the test should not exceed one second.

## POWER SUPPLY CHARACTERISTICS

Symbol	Parameter	Test Conditions <sup>(1)</sup>	Min.	Typ. <sup>(2)</sup>	Max.	Unit
$\Delta I_{CC}$	Quiescent Power Supply Current TTL Inputs HIGH	$V_{CC} = \text{Max.}$ $V_{IN} = V_{CC} - 2.1V^{(3)}$	—	0.5	1.5	mA
$I_{CCD}$	Dynamic Power Supply Current <sup>(4)</sup>	$V_{CC} = \text{Max.}$ All Outputs Open	—	0.5	0.7	mA/ MHz
CPD	Power Dissipation Capacitance	50% Duty Cycle				
$I_C$	Total Power Supply Current <sup>(5,6)</sup>	$V_{CC} = \text{Max.}$ PLL_EN = 1, LOCK = 1, FEEDBACK = Q4 SYNC frequency = 50MHz. Q4 loaded with 50pF. All other outputs open.	—	65	80	mA
		$V_{CC} = \text{Max.}$ PLL_EN = 1, LOCK = 1, FEEDBACK = Q4 SYNC frequency = 50MHz. Q4 loaded with 50 $\Omega$ Thevenin termination. All other outputs open.	—	—	—	mA
PD1	Power Dissipation	50 $\Omega$ Thevenin termination @ 33MHz	—	120	—	mW
PD2	Power Dissipation	50 $\Omega$ Paralell termination to GND @ 33MHz	—	300	—	mW

### NOTES:

- For conditions shown as Min. or Max., use appropriate value specified under Electrical Characteristics.
- Typical values are at  $V_{CC} = 5.0V$ , +25°C ambient.
- Per TTL driven input; all other inputs at  $V_{CC}$  or GND.
- This parameter is not directly testable, but is derived for use in Total Power Supply Calculations. It is derived with Q frequency as the reference.
- Values for these conditions are examples of the  $I_{CC}$  formula. These limits are guaranteed but not tested.
- $I_C = I_{QUIESCENT} + I_{INPUTS} + I_{DYNAMIC}$   
 $I_C = I_{CC} + \Delta I_{CC} D_H N_T + I_{CCD}(f) + I_{LOAD}$   
 $I_{CC} = \text{Quiescent Current (} I_{CCL}, I_{CCH} \text{ and } I_{CCZ} \text{)}$   
 $\Delta I_{CC} = \text{Power Supply Current for a TTL High Input}$   
 $D_H = \text{Duty Cycle for TTL Inputs High}$   
 $N_T = \text{Number of TTL Inputs at } D_H$   
 $I_{CCD} = \text{Dynamic Current Caused by an Input Transition Pair (HLH or LHL)}$   
 $f = 2Q \text{ frequency}$   
 $I_{LOAD} = \text{Dynamic Current due to load.}$

## OUTPUT FREQUENCY SPECIFICATIONS

Symbol	Parameter	Min.	Max. <sup>(2)</sup>				Unit
			55	70	100	133	
$f_{2Q}$	Operating frequency 2Q Output	40	55	70	100	133	MHz
$f_Q$	Operating frequency Q0-Q4, $\overline{Q5}$ Outputs	20	27.5	35	50	66.7	MHz
$f_{Q/2}$	Operating frequency Q/2 Output	10	13.75	17.5	25	33.3	MHz

### NOTES:

- Note 8 in "General AC Specification Notes" and Figure 2 describes this specification and its actual limits depending on the feedback connection.
- Maximum operating frequency is guaranteed with the part in a phase locked condition and all outputs loaded with 50pF.

## SWITCHING CHARACTERISTICS OVER OPERATING RANGE

Symbol	Parameter	Condition <sup>(1)</sup>	Min.	Max.	Unit
t <sub>RISE/FALL</sub> All Outputs	Rise/Fall Time (between 0.2 V <sub>CC</sub> and 0.8 V <sub>CC</sub> )	C <sub>L</sub> = 50pF R <sub>L</sub> = 500Ω	1 <sup>(2)</sup>	2.5	ns
t <sub>RISE/FALL</sub> 2Q Output <sup>(3)</sup>	Rise/Fall Time (between 0.8V and 2.0V)	C <sub>L</sub> = 20pF & termination <sup>(7)</sup>	0.5 <sup>(2)</sup>	1.6	ns
t <sub>PULSEWIDTH</sub> Q, $\bar{Q}$ , Q/2 Outputs <sup>(3)</sup>	Output Pulse Width Q0-Q4, $\bar{Q}5$ , Q/2 @ V <sub>CC</sub> /2	C <sub>L</sub> = 50pF	0.5t <sub>CYCLE</sub> - 0.5 <sup>(5)</sup>	0.5t <sub>CYCLE</sub> + 0.5 <sup>(5)</sup>	ns
t <sub>PULSEWIDTH</sub> 2Q Output <sup>(3)</sup>	Output Pulse Width 2Q Output @ V <sub>CC</sub> /2	C <sub>L</sub> = 50pF	0.5t <sub>CYCLE</sub> - 1 <sup>(5)</sup>	0.5t <sub>CYCLE</sub> + 1 <sup>(5)</sup>	ns
t <sub>PULSEWIDTH</sub> 2Q Output <sup>(3)</sup>	Output Pulse Width 2Q @ 1.5V	Termination as in note 7	0.5t <sub>CYCLE</sub> - 0.5 <sup>(5)</sup>	0.5t <sub>CYCLE</sub> + 0.5 <sup>(5)</sup>	ns
t <sub>PD</sub> SYNC-FEEDBACK <sup>(3)</sup>	SYNC input to FEEDBACK delay (measured at SYNC0 or 1 and FEEDBACK input pins)	Load = 50Ω to V <sub>CC</sub> /2, C <sub>L</sub> = 20pF 0.1MF from LF to Analog GND <sup>(9)</sup>	-0.5	+0.5	ns
t <sub>SKEW<sub>r</sub></sub> (rising) <sup>(3,4)</sup>	Output to Output Skew between outputs 2Q, Q0-Q4, Q/2 (rising edges only)	C <sub>L</sub> = 50pF	—	500	ps
t <sub>SKEW<sub>f</sub></sub> (falling) <sup>(3,4)</sup>	Output to Output Skew between outputs 2Q, Q0-Q4 (falling edges only)		—	500	ps
t <sub>SKEW<sub>ALL</sub></sub> <sup>(3,4)</sup>	Output to Output Skew 2Q, Q/2, Q0-Q4 rising, $\bar{Q}5$ falling		—	500	ps
t <sub>LOCK</sub> <sup>(6)</sup>	Time required to acquire Phase-Lock from time SYNC input signal is received		1 <sup>(2)</sup>	10	ms
t <sub>RST</sub> Reset - Q	Propagation Delay, $\bar{RST}$ (HIGH-to-LOW) to any Output (HIGH-to-LOW)		1.5 <sup>(2)</sup>	8	ns
t <sub>REC</sub> <sup>(10)</sup>	Reset Recovery Time Rising $\bar{RST}$ edge to falling SYNC edge		9	—	ns
t <sub>W</sub> <sup>(10)</sup>	Minimum Pulse Width $\bar{RST}$ input LOW		5	—	ns

### GENERAL AC SPECIFICATION NOTES:

- See test circuit and waveforms.
- Minimum limits are guaranteed but not tested.
- These specifications are guaranteed but not production tested.
- Under equally loaded conditions, C<sub>L</sub> = 50pF (±2pF), and at a fixed temperature and voltage.
- t<sub>CYCLE</sub> = 1/frequency at which each output (Q,  $\bar{Q}$ , Q/2 or 2Q) is expected to run.
- With V<sub>CC</sub> fully powered-on and an output properly connected to the FEEDBACK pin. t<sub>LOCK</sub> Max. is with C<sub>1</sub> = 0.1μF, t<sub>LOCK</sub> Min. is with C<sub>1</sub> = 0.01μF (where C<sub>1</sub> is loop filter capacitor shown in Figure 2).
- These two specs ( t<sub>RISE/FALL</sub> and t<sub>PULSEWIDTH</sub> 2Q output) guarantee that the FCT88915TT meets 68040 P-Clock input specification. For these two specs to be guaranteed by IDT, the termination scheme shown in Figure 1 must be used:

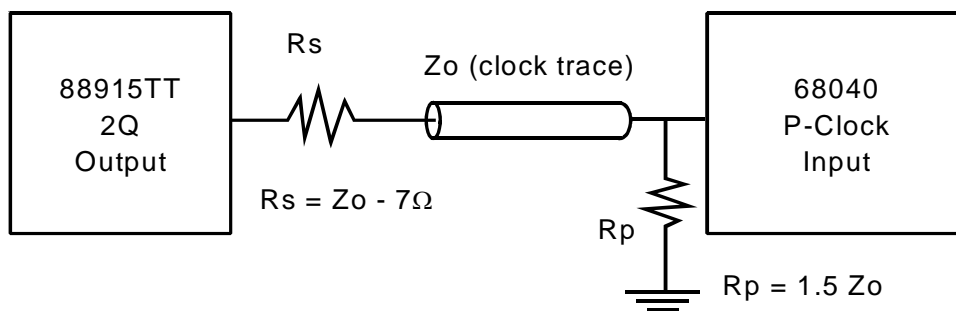


Figure 1. MC68040 P-Clock Input Termination Scheme

GENERAL AC SPECIFICATION NOTES, CONTINUED

8. The wiring diagrams and written explanations of Figures 4a-4c demonstrate the input and output frequency relationships for various possible feedback configurations. The allowable SYNC input range to stay in the phase-locked condition is also indicated. There are two allowable SYNC frequency ranges, depending on whether FREQ\_SEL is HIGH or LOW. Also, it is possible to feed back the  $\overline{Q5}$  output, thus creating a 180° phase shift between the SYNC input and the Q outputs. The table below summarizes the allowable SYNC frequency range for each possible configuration:

FREQ_SEL Level	Feedback Output	Allowable SYNC Input Frequency Range (MHz)	Corresponding 2Q Output Frequency Range	Phase Relationship of the Q Outputs to Rising SYNC Edge
HIGH	Q/2	10 to (2Q f <sub>MAX Spec</sub> )/4	40 to (2Q f <sub>MAX Spec</sub> )	0°
HIGH	Any Q (Q0-Q4)	20 to (2Q f <sub>MAX Spec</sub> )/2	40 to (2Q f <sub>MAX Spec</sub> )	0°
HIGH	$\overline{Q5}$	20 to (2Q f <sub>MAX Spec</sub> )/2	40 to (2Q f <sub>MAX Spec</sub> )	180°
HIGH	2Q	40 to (2Q f <sub>MAX Spec</sub> )	40 to (2Q f <sub>MAX Spec</sub> )	0°
LOW	Q/2	5 to (2Q f <sub>MAX Spec</sub> )/8	20 to (2Q f <sub>MAX Spec</sub> )/2	0°
LOW	Any Q (Q0-Q4)	10 to (2Q f <sub>MAX Spec</sub> )/4	20 to (2Q f <sub>MAX Spec</sub> )/2	0°
LOW	$\overline{Q5}$	10 to (2Q f <sub>MAX Spec</sub> )/4	20 to (2Q f <sub>MAX Spec</sub> )/2	180°
LOW	2Q	20 to (2Q f <sub>MAX Spec</sub> )/2	20 to (2Q f <sub>MAX Spec</sub> )/2	0°

9. The t<sub>PD</sub> spec describes how the phase offset between the SYNC input and the output connected to the FEEDBACK input varies with process, temperature, and voltage. The phase measurements were made at 1.5V. The Q/2 output was terminated at the FEEDBACK input with 100Ω to V<sub>CC</sub> and 100Ω to ground. t<sub>PD</sub> measurements were made with the loop filter connection shown in Figure 2 below:

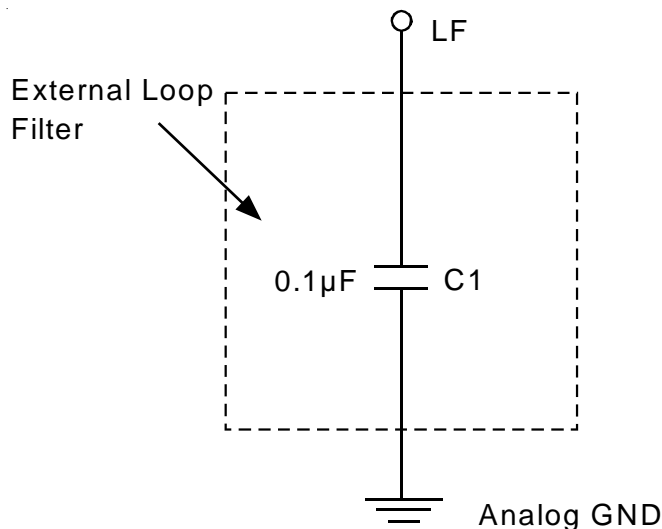


Figure 2. Loop Filter Connection

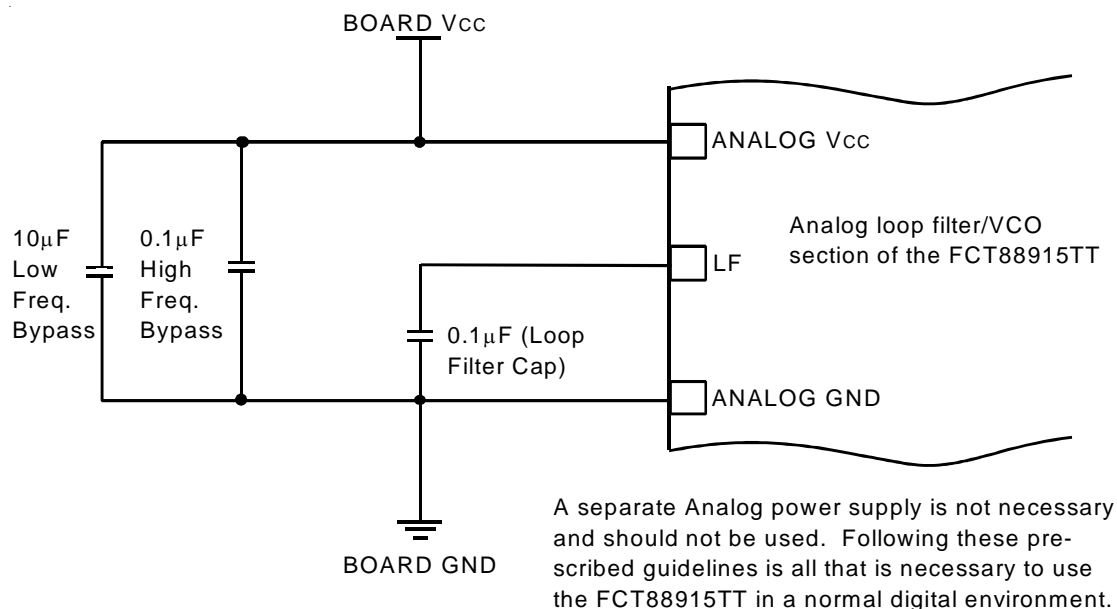


Figure 3. Recommended Loop Filter and Analog Isolation Scheme for the FCT88915TT

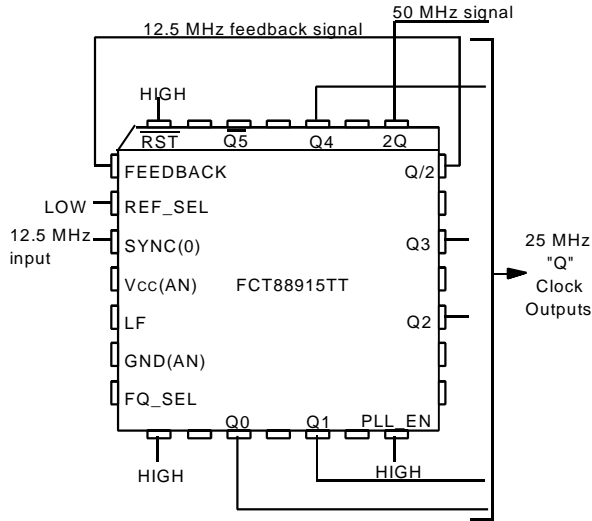
NOTES:

1. Figure 3 shows a loop filter and analog isolation scheme which will be effective in most applications. The following guidelines should be followed to ensure stable and jitter-free operation:
  - a. All loop filter and analog isolation components should be tied as close to the package as possible. Stray current passing through the parasitics of long traces can cause undesirable voltage transients at the LF pin.
  - b. The 10µF low frequency bypass capacitor and the 0.1µF high frequency bypass capacitor form a wide bandwidth filter that will minimize the 88915TT's sensitivity to voltage transients from the system digital Vcc supply and ground planes.  
 If good bypass techniques are used on a board design near components which may cause digital Vcc and ground noise, Vcc step deviations should not occur at the 88915TT's digital Vcc supply. The purpose of the bypass filtering scheme shown in Figure 3 is to give the 88915TT additional protection from the power supply and ground plane transients that can occur in a high frequency, high speed digital system.
  - c. The loop filter capacitor (0.1µF) can be a ceramic chip capacitor, the same as a standard bypass capacitor.
2. In addition to the bypass capacitors used in the analog filter of Figure 3, there should be a 0.1µF bypass capacitor between each of the other (digital) four Vcc pins and the board ground plane. This will reduce output switching noise caused by the 88915TT outputs, in addition to reducing potential for noise in the "analog" section of the chip. These bypass capacitors should also be tied as close to the 88915TT package as possible.

The frequency relationship shown here is applicable to all Q outputs (Q0, Q1, Q2, Q3 and Q4).

**1:2 INPUT TO "Q" OUTPUT FREQUENCY RELATIONSHIP**

In this application, the Q/2 output is connected to the FEEDBACK input. The internal PLL will line up the positive edges of Q/2 and SYNC. Thus the Q/2 frequency will equal the SYNC frequency. The Q outputs (Q0-Q4, Q5) will always run at 2X the Q/2 frequency, and the 2Q output will run at 4X the Q/2 frequency.

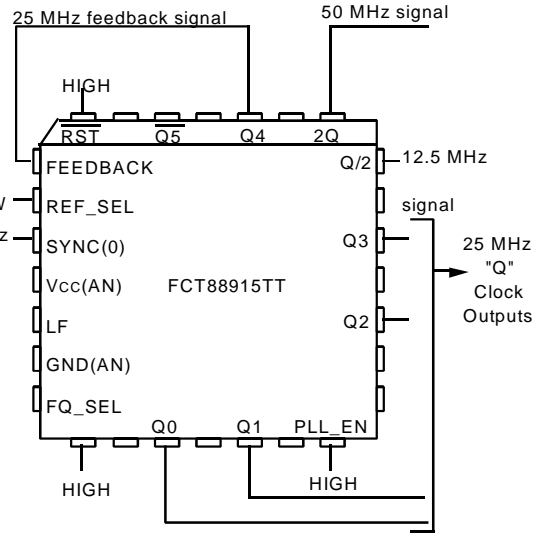


Allowable Input Frequency Range:  
 10MHz to (f2Q FMAX Spec)/4 (for FREQ\_SEL HIGH)  
 5MHz to (f2Q FMAX Spec)/8 (for FREQ\_SEL LOW)

**Figure 4a. Wiring Diagram and Frequency Relationships with Q/2 Output Feedback**

**1:1 INPUT TO "Q" OUTPUT FREQUENCY RELATIONSHIP**

In this application, the Q4 output is connected to the FEEDBACK input. The internal PLL will line up the positive edges of Q4 and SYNC. Thus the Q4 frequency (and the rest of the "Q" outputs) will equal the SYNC frequency. The Q/2 output will always run at 1/2 the Q frequency, and the 2Q output will run at 2X the Q frequency.

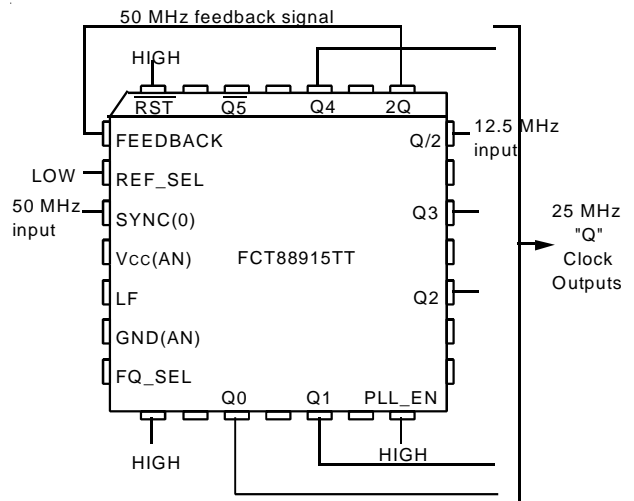


Allowable Input Frequency Range:  
 20MHz to (f2Q FMAX Spec)/2 (for FREQ\_SEL HIGH)  
 10MHz to (f2Q FMAX Spec)/4 (for FREQ\_SEL LOW)

**Figure 4b. Wiring Diagram and Frequency Relationships with Q4 Output Feedback**

**2:1 INPUT TO "Q" OUTPUT FREQUENCY RELATIONSHIP**

In this application, the 2Q output is connected to the FEEDBACK input. The internal PLL will line up the positive edges of 2Q and SYNC. Thus the 2Q frequency will equal the SYNC frequency. The Q/2 output will always run at 1/4 the 2Q frequency, and the Q output will run at 1/2 the 2Q frequency.



Allowable Input Frequency Range:  
 40MHz to (f2Q FMAX Spec) (for FREQ\_SEL HIGH)  
 20MHz to (f2Q FMAX Spec)/2 (for FREQ\_SEL LOW)

**Figure 4c. Wiring Diagram and Frequency Relationships with 2Q Output Feedback**



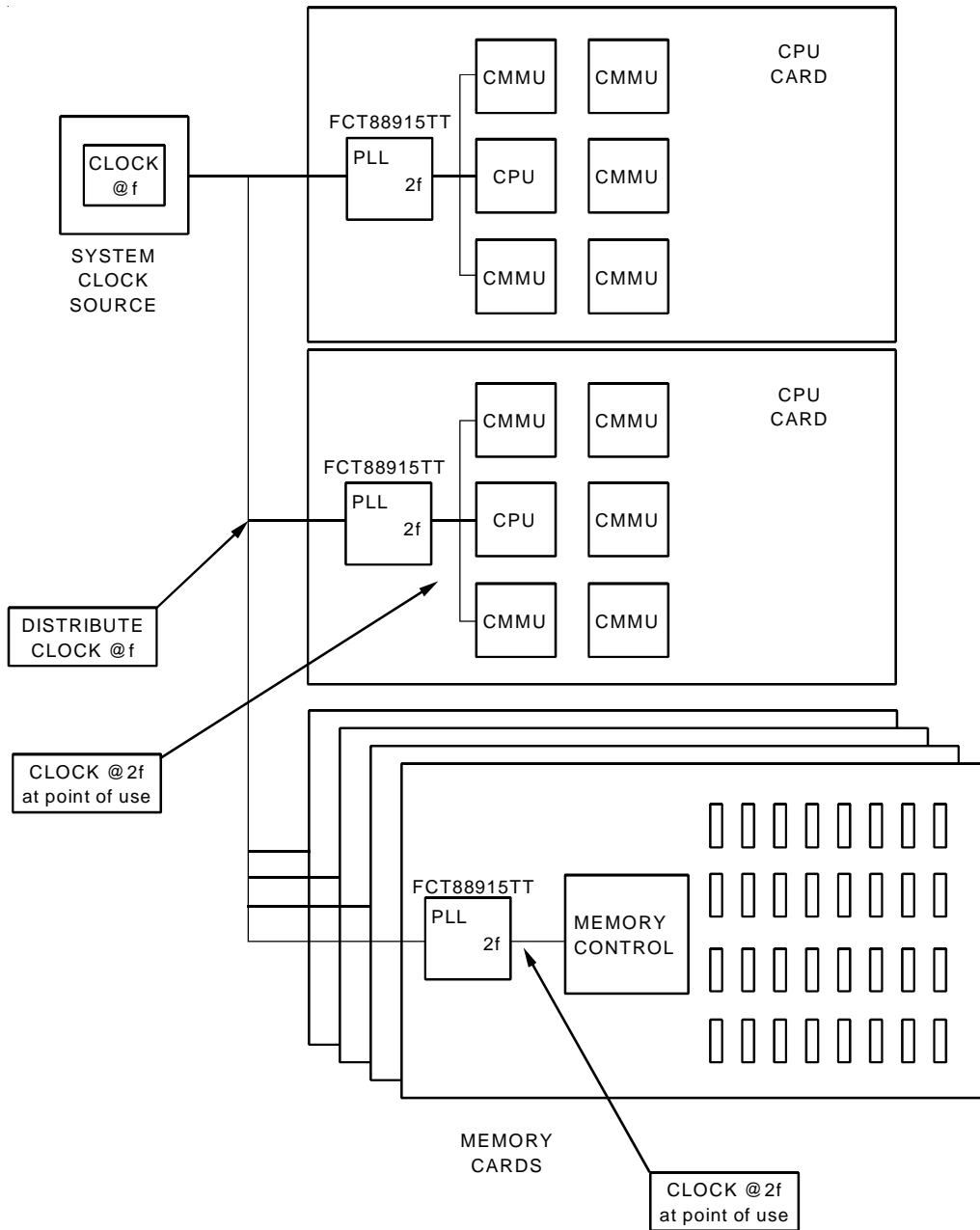


Figure 5. Multiprocessing Application Using the FCT88915 for Frequency Multiplication and Low Board-to-Board skew

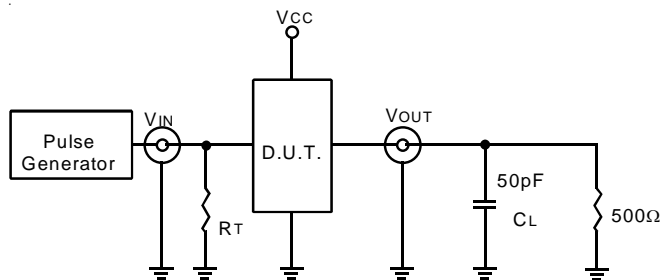
#### FCT88915 SYSTEM LEVEL TESTING FUNCTIONALITY

When the PLL\_EN pin is LOW, the PLL is bypassed and the FCT88915TT is in low frequency "test mode". In test mode (with FREQ\_SEL HIGH), the 2Q output is inverted from the selected SYNC input, and the Q outputs are divide-by-2 (negative edge triggered) of the SYNC input, and the Q/2 output is divide-by-4 (negative edge triggered). With FREQ\_SEL LOW the 2Q output is divide-by-2 of the SYNC, the Q outputs divide-by-4, and the Q/2 output divide-by-8.

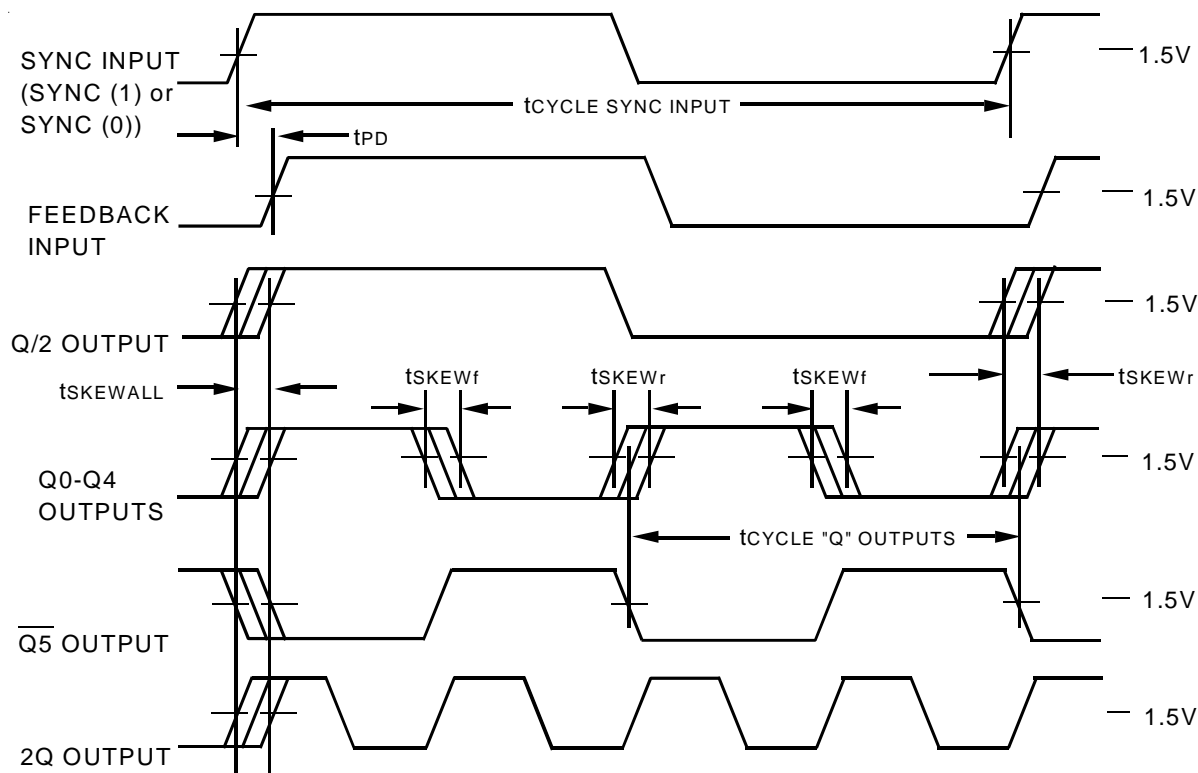
These relationships can be seen in the block diagram. A recommended test configuration would be to use SYNC0 or SYNC1 as the test clock input, and tie PLL\_EN and REF\_SEL together and connect them to the test select logic.

This functionality is needed since most board-level testers run at 1 MHz or below, and the FCT88915TT cannot lock onto that low of an input frequency. In the test mode described above, any test frequency test can be used.

## TEST CIRCUITS AND WAVEFORMS



*Test Circuits For All Outputs*



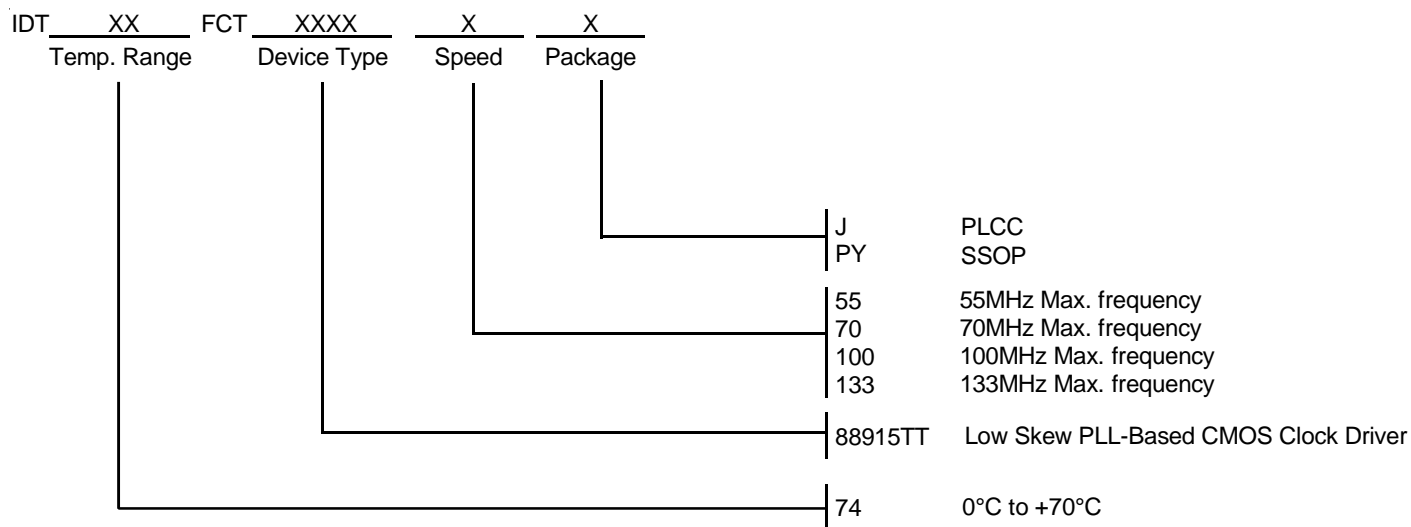
*Propagation Delay, Output Skew*

(These waveforms represent the configuration shown in Figure 4a)

**NOTES:**

1. The FCT88915TT aligns rising edges of the FEEDBACK input and SYNC input. Therefore, the SYNC input does not require a 50% duty cycle.
2. All skew specs are measured between the  $V_{CC}/2$  crossing point of the appropriate output edges. All skews are specified as "windows", not as  $\pm$  deviation around a center point.
3. If a Q output is connected to the FEEDBACK input (this situation is not shown), the Q output frequency would match the SYNC input frequency, the 2Q output would run at twice the SYNC frequency, and the Q/2 output would run at half the SYNC frequency.

## ORDERING INFORMATION



**CORPORATE HEADQUARTERS**  
 2975 Stender Way  
 Santa Clara, CA 95054

**for SALES:**  
 800-345-7015 or 408-727-6116  
 fax: 408-492-8674  
[www.idt.com](http://www.idt.com)

**for Tech Support:**  
[logichelp@idt.com](mailto:logichelp@idt.com)  
 (408) 654-6459