



Features:

- Universal AC input
- PFC Function ;
- High efficiency, Low interference
- Protections: Short circuit / Overload / Over voltage / Over temperature.

SPECIFICATIONS

MODEL		K26B-UP200S12	K26B-UP200S24	K26B-UP200S36	K26B-UP200S48	K26B-UP200S60
SPECIFICATIONS						
OUTPUT	OUTPUT VOLTAGE	+12V	+24V	+36V	+48V	+60V
	OUTPUT RATED CURRENT	16.7A	8.5A	5.6A	4.2A	3.4A
	CURRENT RANGE	0-16.7A	0-8.5A	0-5.6A	0-4.2A	0-3.4A
	RATED POWER	200.4W	204W	201.6W	201.6W	204W
	RIPPLE & NOISE	200mVp-p	240mVp-p	360mVp-p	480mVp-p	600mVp-p
	DC VOLTAGE ADJ.	±10%				
	OUTPUT V. TOLERANCE	±1%				
	LINE REGULATION	±0.5%				
	LOAD REGULATION	±0.5%				
SETUP,RISE,HOLE UP TIME	500ms,50ms,20ms					
INPUT	INPUT VOLTAGE RANGE	90-264V AC				
	AC CURRENT	1.2A @ 220V AC				
	INPUT FREQUENCY	47-63 Hz				
	EFFICIENCY	>88%	>90%	>90%	>92%	>92%
	POWER FACTOR	>0.99@110V;>0.95@220V				
	INRUSH CURRENT	COLD START15A/115V, 30A/230V				
	LEAKAGE CURRENT	<0.75mA@240V AC				
PROTECTION	OVERLOAD PROTECTION	110~200%,TYPE:HICCUP RESET:AUTO RECOVER				
	OVER VOLTAGE	16-20V	30-35V	43-48V	54-60V	68-75V
	OVER TEMP. PROTECTION	>105°C, recovers automatically after temperature goes down				
FUNCTION						
ENVIROMENT	WORKING TEMP., HUMIDITY	-20~50°C, 10~90% RH, non-condensing				
	STORAGE TEMP., HUMIDITY	-20~85°C, 10~95% RH				
	TEMP. COEFFICIENT	±0.03%/°C(0~50°C)				
	VIBRATION	10~500Hz, 2G 10min./1cycle, PERIOD FOR 60min. EACH AXES				
SAFETY&EMC	SAFETY STANDARDS	GB4943,EN60950-1				
	PRESSURE	I/P-O/P:3KVAC I/P-FG:1.5KVAC O/P-FG:0.5KVAC				
	INSULATION RESISTANCE	I/P-O/P, I/P-FG, O/P-FG:500VDC / 100M Ohms				
	EMC STANDARDS	MEET EN55022 CLASS B, EN61000-3-2				
OTHERS	DIMENSION	148*60*35mm CASE: K826B				
	WEIGHT	0.4Kg				
NOTE	1. ALL PARAMETERS ARE SPECIFIED AT 230VAC INPUT, RATED LOAD, 25°C 70% RH. AMBIENT. 2.TOLERANCE:INCLUDE SET UP TOLERANCE, LINE REGULATION, LOAD REGULATION. 3.RIPPLE & NOISE ARE MEASURED AT 20MHz BY USING A 12" TWISTED PAIR TERMINATED WITH A 0.1uF & 47uF CAPACITOR. 4.LINE REGULATION IS MEASURED FROM LOW LINE TO HIGH LINE AT RATED LOAD. 5.LOAD REGULATION IS MEASURED FROM 20% TO 100% RATED LOAD, AND OTHER OUTPUT AT 60% RATED LOAD.					



Features:

- Universal AC input
- PFC Function ;
- High efficiency, Low interference
- Protections: Short circuit/Overload/Overvoltage/Over temperature.

SPECIFICATIONS

MODEL		K26B-UP200S18	K26B-UP200S30	K26B-UP200S42	K26B-UP200S54
SPECIFICATIONS					
OUTPUT	OUTPUT VOLTAGE	+18V	+30V	+42V	+54V
	OUTPUT RATED CURRENT	11.1A	7A	4.8A	3.7A
	CURRENT RANGE	0-11.1A	0-7A	0-4.8A	0-3.7A
	RATED POWER	199.8W	210W	201.6W	199.8W
	RIPPLE & NOISE	200mVp-p	300mVp-p	420mVp-p	540mVp-p
	DC VOLTAGE ADJ.	±10%			
	OUTPUT V. TOLERANCE	±1%			
	LINE REGULATION	±0.5%			
	LOAD REGULATION	±0.5%			
SETUP,RISE,HOLE UP TIME	500ms,50ms,20ms				
INPUT	INPUT VOLTAGE RANGE	90-264V AC			
	AC CURRENT	1.2A @ 220V AC			
	INPUT FREQUENCY	47-63 Hz			
	EFFICIENCY	>90%	>92%	>92%	>92%
	POWER FACTOR	>0.99@110V;>0.95@220V			
	INRUSH CURRENT	COLD START15A/115V, 30A/230V			
	LEAKAGE CURRENT	<0.75mA@240V AC			
PROTECTION	OVERLOAD PROTECTION	110~200%,TYPE:HICCUP RESET:AUTO RECOVER			
	OVER VOLTAGE	24-28V	36-42V	48-54V	62-68V
	OVER TEMP. PROTECTION	>105°C, recovers automatically after temperature goes down			
FUNCTION					
ENVIROMENT	WORKING TEMP., HUMIDITY	-20~50°C, 10~90% RH, non-condensing			
	STORAGE TEMP., HUMIDITY	-20~85°C, 10~95% RH			
	TEMP. COEFFICIENT	±0.03%/°C(0~50°C)			
	VIBRATION	10~500Hz, 2G 10min./1cycle, PERIOD FOR 60min. EACH AXES			
SAFETY&EMC	SAFETY STANDARDS	GB4943,EN60950-1			
	PRESSURE	I/P-O/P:3KVAC I/P-FG:1.5KVAC O/P-FG:0.5KVAC			
	INSULATION RESISTANCE	I/P-O/P, I/P-FG, O/P-FG:500VDC / 100M Ohms			
	EMC STANDARDS	MEET EN55022 CLASS B, EN61000-3-2			
OTHERS	DIMENSION	148*60*35mm CASE: K826B			
	WEIGHT	0.4Kg			
NOTE	1. ALL PARAMETERS ARE SPECIFIED AT 230VAC INPUT, RATED LOAD, 25°C 70% RH. AMBIENT. 2.TOLERANCE:INCLUDE SET UP TOLERANCE, LINE REGULATION, LOAD REGULATION. 3.RIPPLE & NOISE ARE MEASURED AT 20MHz BY USING A 12" TWISTED PAIR TERMINATED WITH A 0.1uF & 47uF CAPACITOR. 4.LINE REGULATION IS MEASURED FROM LOW LINE TO HIGH LINE AT RATED LOAD. 5.LOAD REGULATION IS MEASURED FROM 20% TO 100% RATED LOAD, AND OTHER OUTPUT AT 60% RATED LOAD.				



Features:

- Universal AC input
- PFC Function ;
- High efficiency, Low interference
- Protections: Short circuit / Overload / Over voltage / Over temperature.

SPECIFICATIONS

SPECIFICATIONS		MODEL		K26B-UP200D12+24		K26B-UP200D12+28		K26B-UP200D24+12	
		CH1	CH2	CH1	CH2	CH1	CH2		
OUTPUT	OUTPUT VOLTAGE	+12V	+24V	+12V	+28V	+24V	+12V		
	OUTPUT RATED CURRENT	12.5A	2A	12.5A	1.8A	7.5A	2A		
	CURRENT RANGE	0-16.7A	0-3A	0-16.7A	0-3A	0-8.3A	0-3A		
	RATED POWER	198W		204W		204W			
	RIPPLE & NOISE	200mVp-p	240mVp-p	200mVp-p	300mVp-p	240mVp-p	200mVp-p		
	DC VOLTAGE ADJ.	CH1:±10%							
	OUTPUT V. TOLERANCE	±1%							
	LINE REGULATION	±0.5%							
	LOAD REGULATION	±0.5%							
	SETUP,RISE,HOLE UP TIME	500ms,50ms,20ms							
INPUT	INPUT VOLTAGE RANGE	90-264V AC							
	AC CURRENT	1.2A @ 220V AC							
	INPUT FREQUENCY	47-63 Hz							
	EFFICIENCY	>89%		>89%		>90%			
	POWER FACTOR	>0.99@110V;>0.95@220V							
	INRUSH CURRENT	COLD START15A/115V, 30A/230V							
	LEAKAGE CURRENT	<0.75mA@240V AC							
PROTECTION	OVERLOAD PROTECTION	110~200%,TYPE:HICCUP RESET:AUTO RECOVER							
	OVER VOLTAGE	CH1: 16-20V		CH1: 16-20V		CH1:30-35V			
	OVER TEMP. PROTECTION	>105°C, recovers automatically after temperature goes down							
FUNCTION									
ENVIROMENT	WORKING TEMP., HUMIDITY	-20~50°C, 10~90% RH, non-condensing							
	STORAGE TEMP., HUMIDITY	-20~85°C, 10~95% RH							
	TEMP. COEFFICIENT	±0.03%/°C(0~50°C)							
	VIBRATION	10~500Hz, 2G 10min./1cycle, PERIOD FOR 60min. EACH AXES							
SAFETY&EMC	SAFETY STANDARDS	GB4943.EN60950-1							
	PRESSURE	I/P-O/P:3KVAC I/P-FG:1.5KVAC O/P-FG:0.5KVAC							
	INSULATION RESISTANCE	I/P-O/P, I/P-FG, O/P-FG:500VDC / 100M Ohms							
	EMC STANDARDS	MEET EN55022 CLASS B, EN61000-3-2							
OTHERS	DIMENSION	148*60*35mm CASE: K826B							
	WEIGHT	0.4Kg							
NOTE	<p>1. ALL PARAMETERS ARE SPECIFIED AT 230VAC INPUT, RATED LOAD, 25°C 70% RH. AMBIENT.</p> <p>2.TOLERANCE:INCLUDE SET UP TOLERANCE, LINE REGULATION, LOAD REGULATION.</p> <p>3.RIPPLE & NOISE ARE MEASURED AT 20MHz BY USING A 12" TWISTED PAIR TERMINATED WITH A 0.1uF & 47uF CAPACITOR.</p> <p>4.LINE REGULATION IS MEASURED FROM LOW LINE TO HIGH LINE AT RATED LOAD. 5.LOAD REGULATION IS MEASURED FROM 20% TO 100% RATED LOAD, AND OTHER OUTPUT AT 60% RATED LOAD.</p>								



Features:

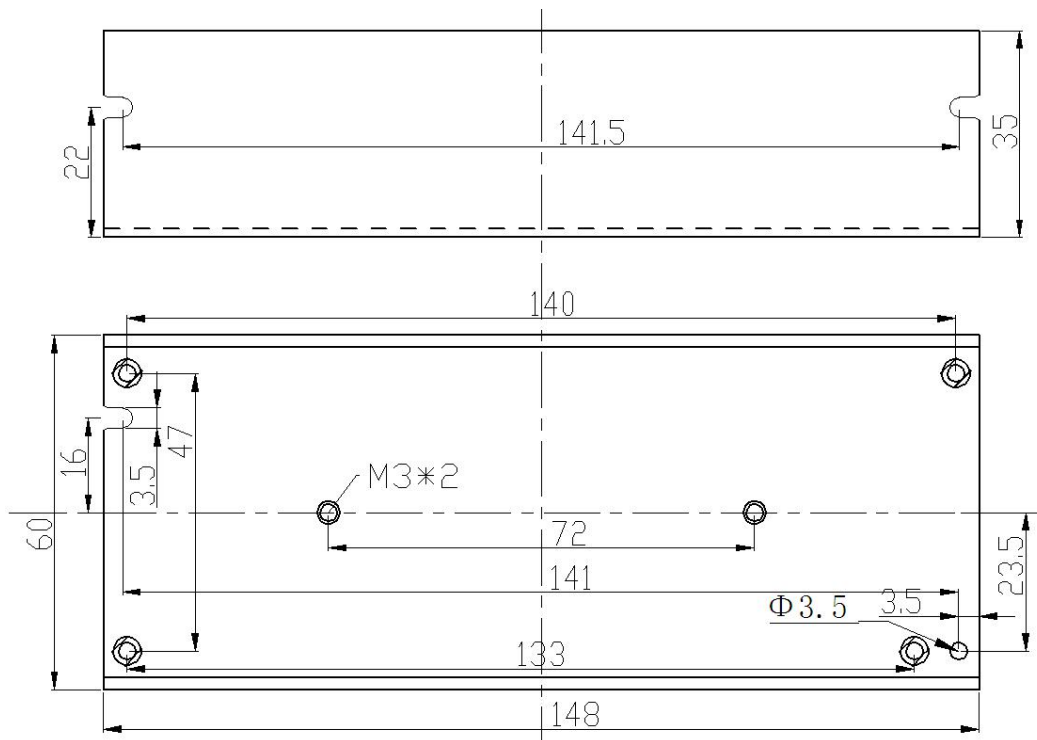
- Universal AC input
- PFC Function ;
- High efficiency, Low interference
- Protections: Short circuit / Overload / Over voltage / Over temperature.

SPECIFICATIONS

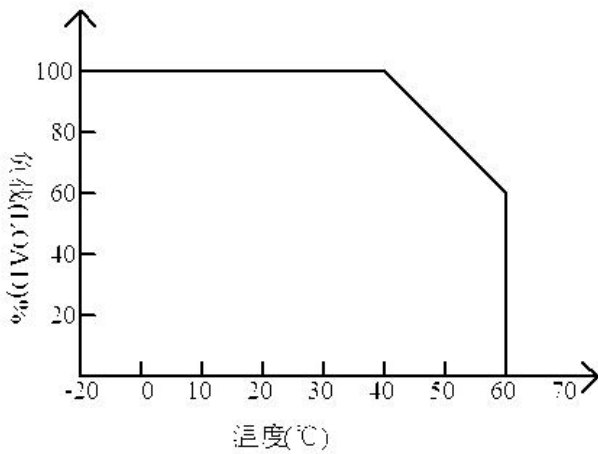
SPECIFICATIONS		MODEL		K26B-UP200D28+12		K26B-UP200D36+12		K26B-UP200D48+12	
		CH1	CH2	CH1	CH2	CH1	CH2		
OUTPUT	OUTPUT VOLTAGE	+28V	+12V	+36V	+12V	+48V	+12V		
	OUTPUT RATED CURRENT	6.3A	2A	5A	2A	3.7A	2A		
	CURRENT RANGE	0-7A	0-3A	0-5.6A	0-3A	0-4.2A	0-3A		
	RATED POWER	200.4W		204W		201.6W			
	RIPPLE & NOISE	280mVp-p	200mVp-p	360mVp-p	300mVp-p	480mVp-p	200mVp-p		
	DC VOLTAGE ADJ.	CH1:±10%							
	OUTPUT V. TOLERANCE	±1%							
	LINE REGULATION	±0.5%							
	LOAD REGULATION	±0.5%							
	SETUP,RISE,HOLE UP TIME	500ms,50ms,20ms							
INPUT	INPUT VOLTAGE RANGE	90-264V AC							
	AC CURRENT	1.2A @ 220V AC							
	INPUT FREQUENCY	47-63 Hz							
	EFFICIENCY	>92%		>92%		>92%			
	POWER FACTOR	>0.99@110V;>0.95@220V							
	INRUSH CURRENT	COLD START15A/115V, 30A/230V							
	LEAKAGE CURRENT	<0.75mA@240V AC							
PROTECTION	OVERLOAD PROTECTION	110~200%,TYPE:HICCUP RESET:AUTO RECOVER							
	OVER VOLTAGE	CH1: 32-38V		CH1:42-48V		CH1: 54-60V			
	OVER TEMP. PROTECTION	>105°C, recovers automatically after temperature goes down							
FUNCTION									
ENVIROMENT	WORKING TEMP., HUMIDITY	-20~50°C, 10~90% RH, non-condensing							
	STORAGE TEMP., HUMIDITY	-20~85°C, 10~95% RH							
	TEMP. COEFFICIENT	±0.03%/°C(0~50°C)							
	VIBRATION	10~500Hz, 2G 10min./1cycle, PERIOD FOR 60min. EACH AXES							
SAFETY&EMC	SAFETY STANDARDS	GB4943,EN60950-1							
	PRESSURE	I/P-O/P:3KVAC I/P-FG:1.5KVAC O/P-FG:0.5KVAC							
	INSULATION RESISTANCE	I/P-O/P, I/P-FG, O/P-FG:500VDC / 100M Ohms							
	EMC STANDARDS	MEET EN55022 CLASS B, EN61000-3-2							
OTHERS	DIMENSION	148*60*35mm CASE: K826B							
	WEIGHT	0.4Kg							
NOTE	<p>1. ALL PARAMETERS ARE SPECIFIED AT 230VAC INPUT, RATED LOAD, 25°C 70% RH. AMBIENT.</p> <p>2.TOLERANCE:INCLUDE SET UP TOLERANCE, LINE REGULATION, LOAD REGULATION.</p> <p>3.RIPPLE & NOISE ARE MEASURED AT 20MHz BY USING A 12" TWISTED PAIR TERMINATED WITH A 0.1uF & 47uF CAPACITOR.</p> <p>4.LINE REGULATION IS MEASURED FROM LOW LINE TO HIGH LINE AT RATED LOAD. 5.LOAD REGULATION IS MEASURED FROM 20% TO 100% RATED LOAD, AND OTHER OUTPUT AT 60% RATED LOAD.</p>								



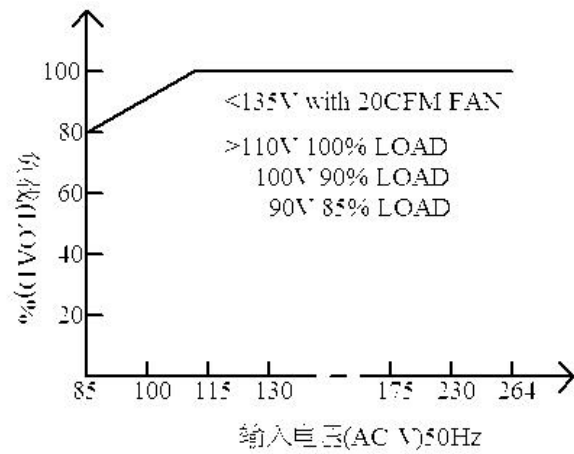
Mechanical size: Unit: mm



Load characteristic curve:



Temperature-Load curve



Input load voltage curve