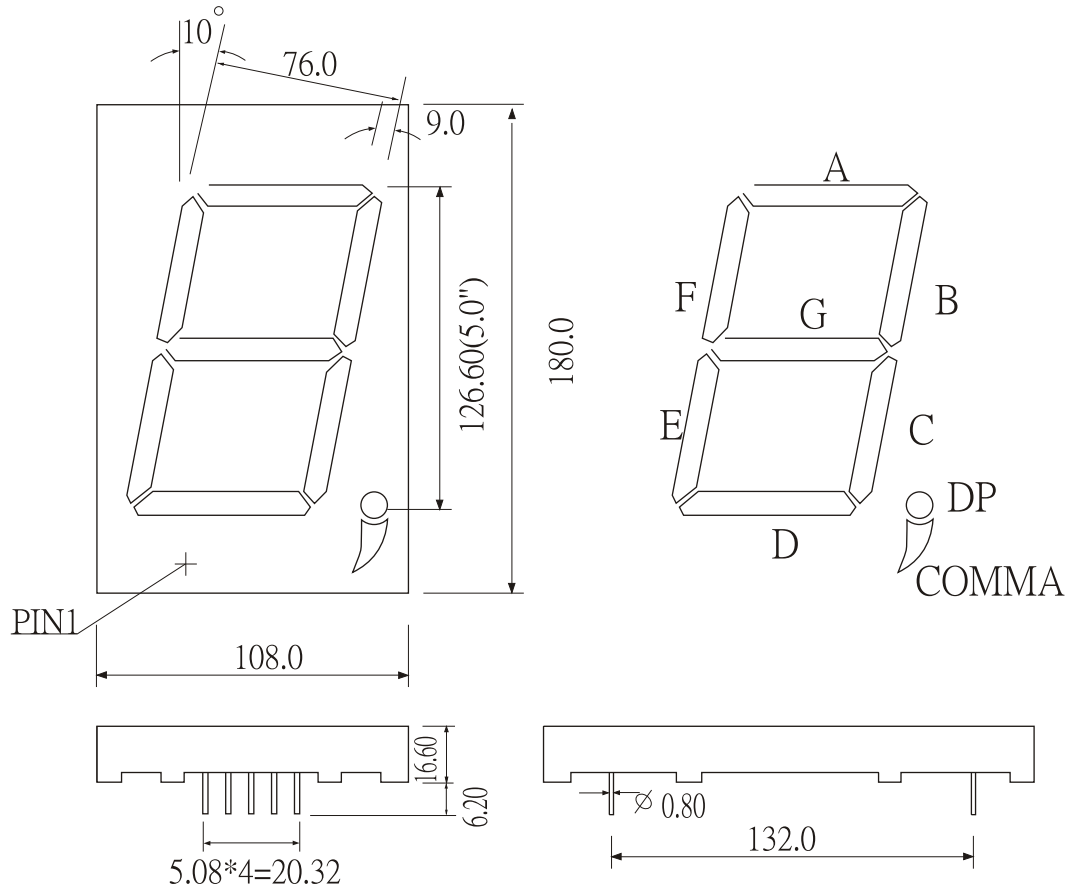


KT15001AAxx



CODE A

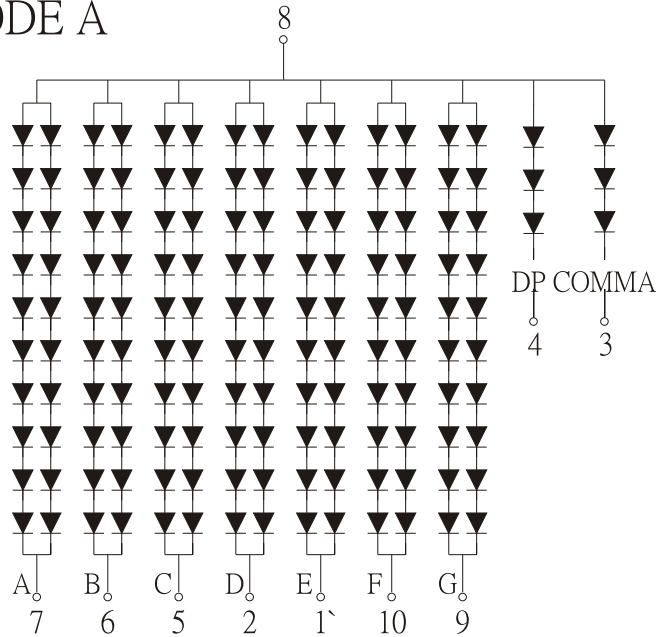


Fig. 1

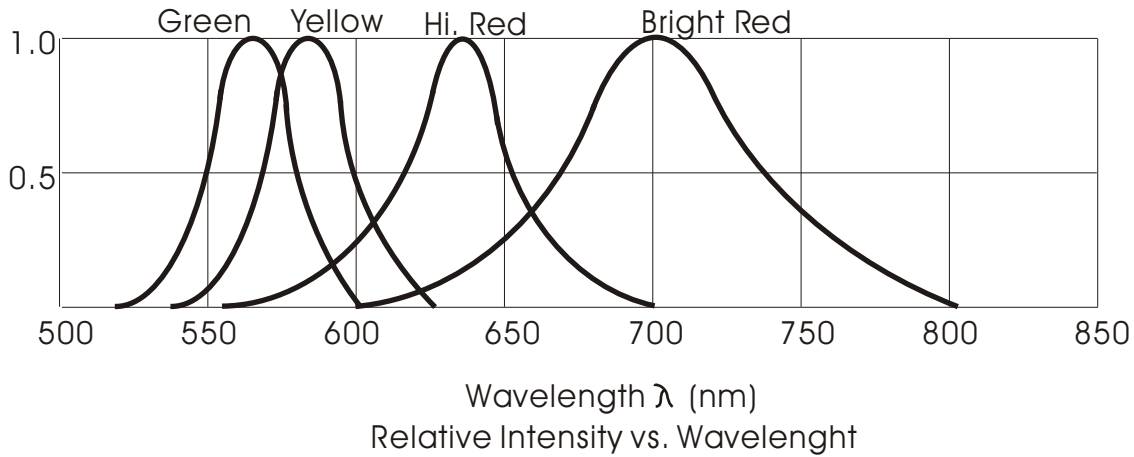


Fig. 2

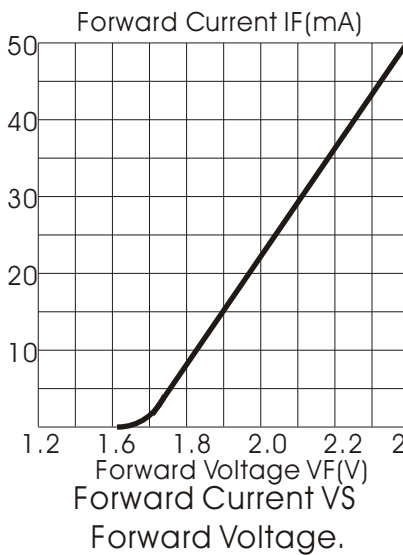


Fig. 3

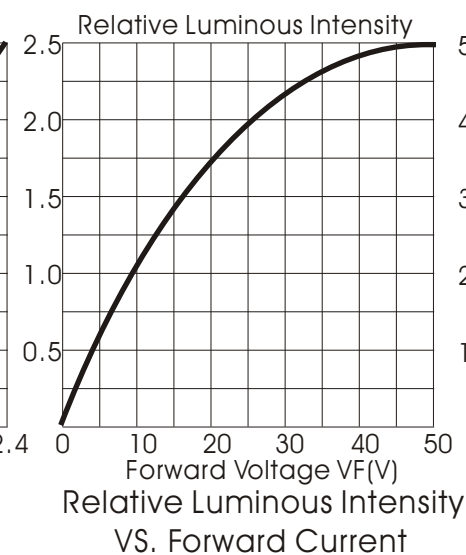
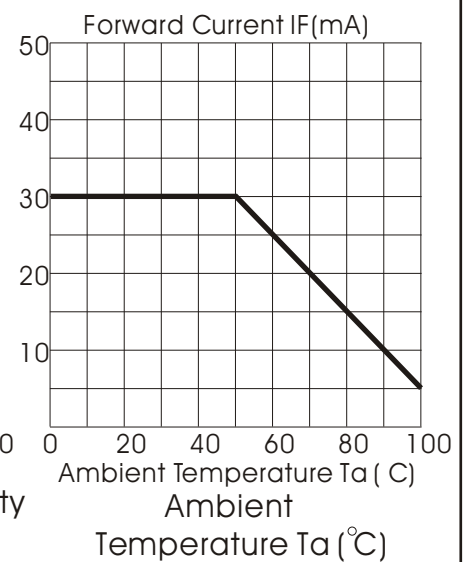


Fig. 4



Code: A

Parameter	Symbol	Condition	Min	Typ	Max	Unit
Forward Voltage	V_f	$I_f = 20\mu A$	1.3	-	-	V
Reverse Voltage	V_r	$I_r = 10\mu A$	5	-	-	V
Luminous Intensity	I_v	$I_f = 10\text{mA}$		20		mcd
Spectrum Width Of Half Value	$\Delta\lambda$	$I_f = 20\text{mA}$		22		nm
Wavelength	$D\lambda$	$I_f = 20\text{mA}$		632		nm

LED working lifetime 100,000 hrs
 Absolute Maximum Rating at $T_a = 25^\circ\text{C}$