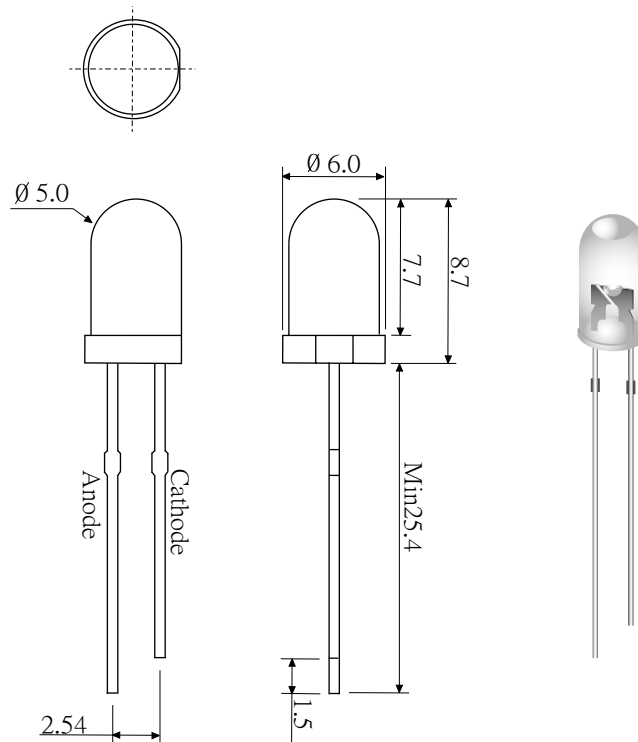


KTB05BHCI-12V



*5mm with Blue dice and 12V resistor and blinking I.C.

Encapsulated with Water Clear color package.

Standard T1 3/4

Pulse rate 2.2Hz

* 1/4 Duty cycle and long leads.

Absolute Maximom Ratings:

Parameter	Maximum Rating	Unit
Peak forward Current	120	mA
Continuous Temperature Range	30	mA
Operating Temperature Range	. -20 °C to + 75 °C	
Storage Temperature Range	. -40 °C to + 100 °C	
Lead Soldering Temperature	260 °C for 5 seconds	

Electro-Optical Characteristics (Ta=25 °C)

Parameter Radiant	Test Condition	Symbol	Min.	Typ.	Max.	Unit
Forward Voltage	If=20mA	Vf		12V		V
Reverse Current	Vr=5V	Ir			10	uA
Luminous Intensity	If=20mA	Iv	2000	3500	5000	mcd
Spectral Bandwidth	If=20mA	$\Delta\lambda$		35		nm
Wavelength	If=20mA	λ_p				nm
		λ_d		465		nm
Half View Angle	If=20mA	2 Θ 1/2		30		deg