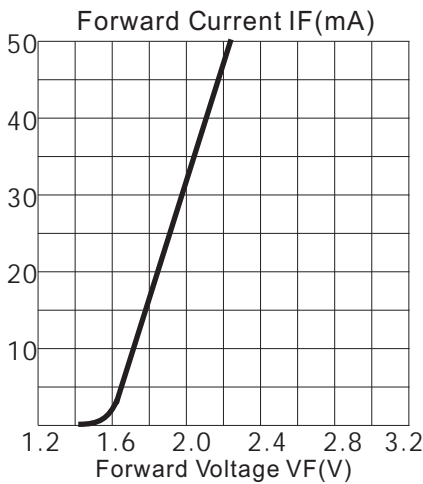
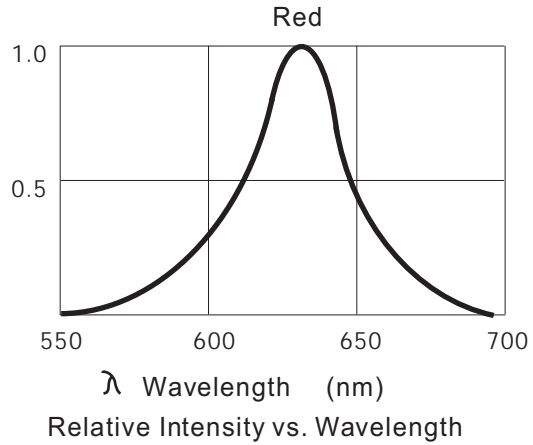
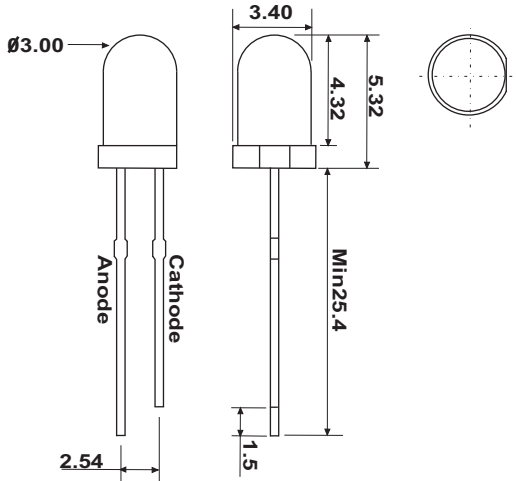
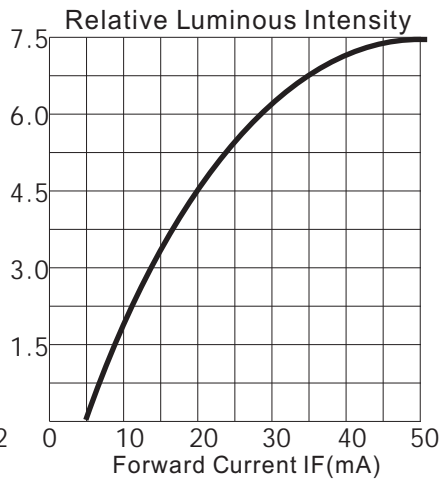


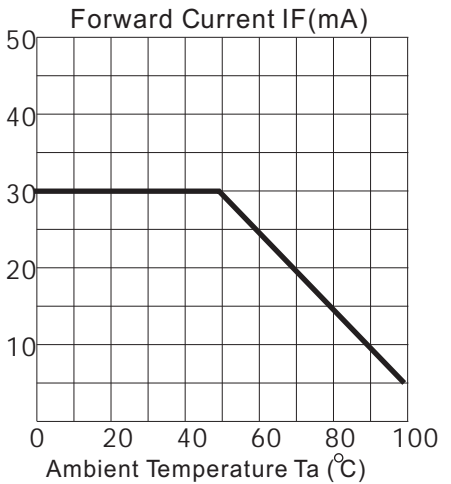
KTL0300DDI Red Color



Forward Current VS Forward Voltage.



Relative Luminous Intensity VS. Forward Current



Ambient Temperature T_a ($^{\circ}\text{C}$)

Absolute Maximum Ratings at $T_a = 25^{\circ}\text{C}$

Parameter	Symbol	Condition	Min.	Typ.	Max.	Unit
Forward Voltage	V_f	$I_f=20\text{mA}$	1.3		2.15	V
Reverse Voltage	V_r	$I_f=20\text{mA}$	5.0		5.0	V
Luminous Intensity	I_v	$I_f=20\text{mA}$		4.0		mcd
Wavelength	$D\lambda$	$I_f=20\text{mA}$		632		nm
LENS Color	Red Diffused					

LED working lifetime 100,000 hrs

