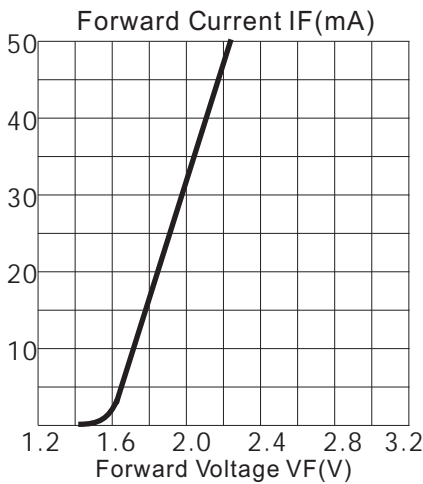
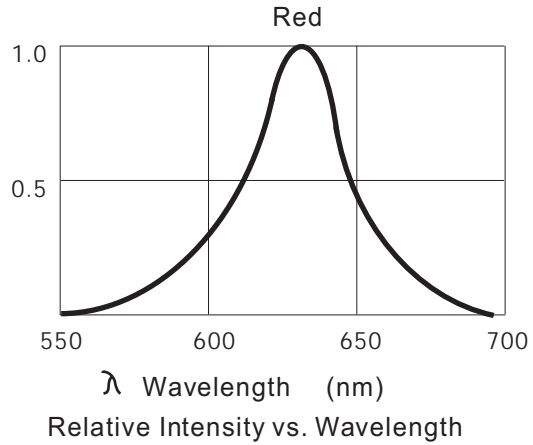
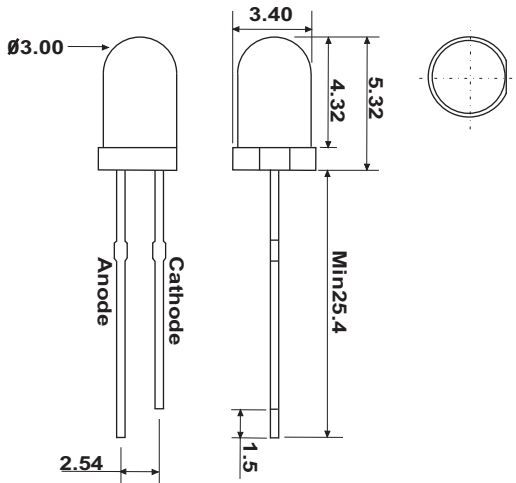
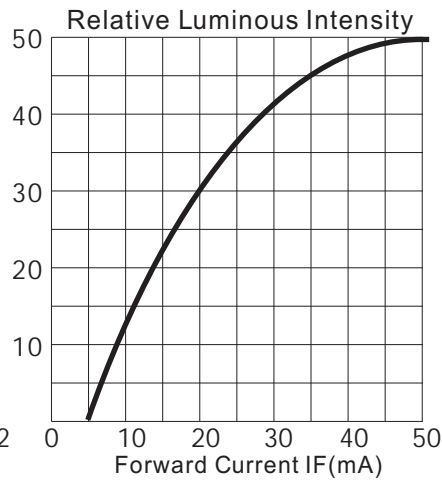


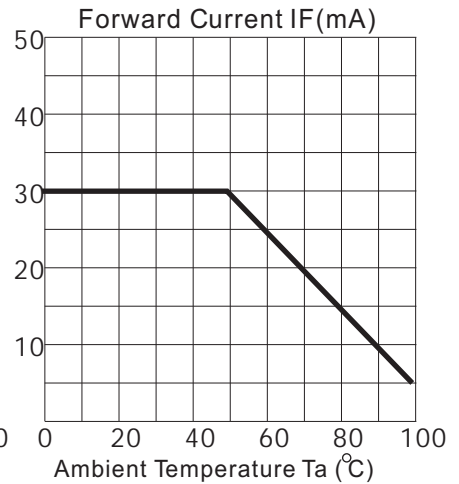
### KTL0300KDI



Forward Current VS Forward Voltage.



Relative Luminous Intensity VS. Forward Current



Ambient Temperature  $T_a$  (°C)

#### Absolute Maximum Ratings at $T_a = 25^\circ\text{C}$

Parameter	Symbol	Condition	Min.	Typ.	Max.	Unit
Forward Voltage	$V_f$	$I_f=20\text{mA}$	1.3		2.15	V
Reverse Voltage	$V_r$	$I_f=20\text{mA}$	5.0		5.0	V
Luminous Intensity	$I_v$	$I_f=20\text{mA}$		25		mcd
Wavelength	$D\lambda$	$I_f=20\text{mA}$		568		nm
LENS Color	Green Diffused					

LED working lifetime 100,000 hrs

