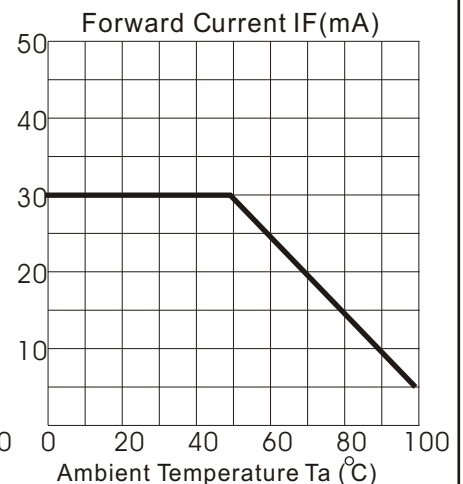
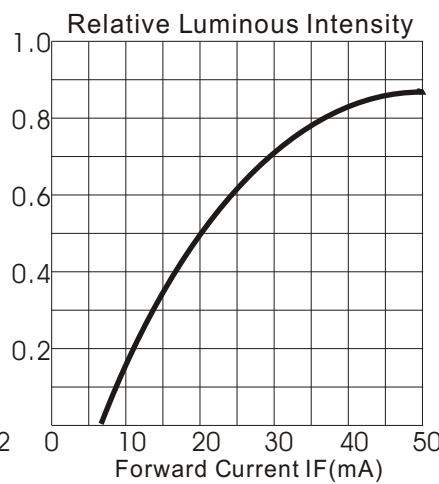
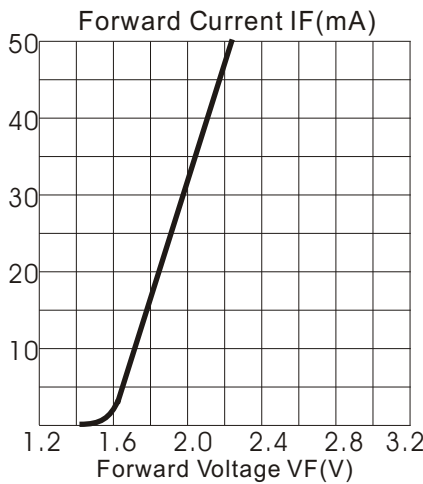
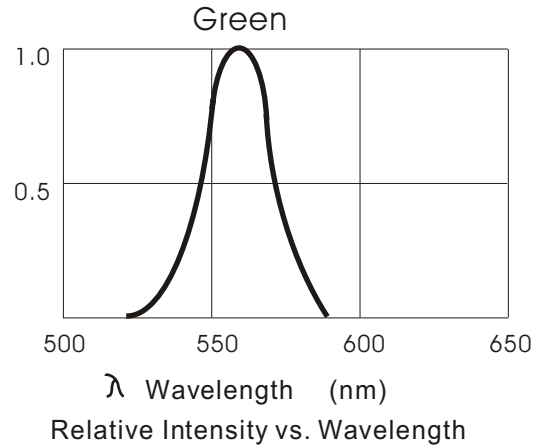
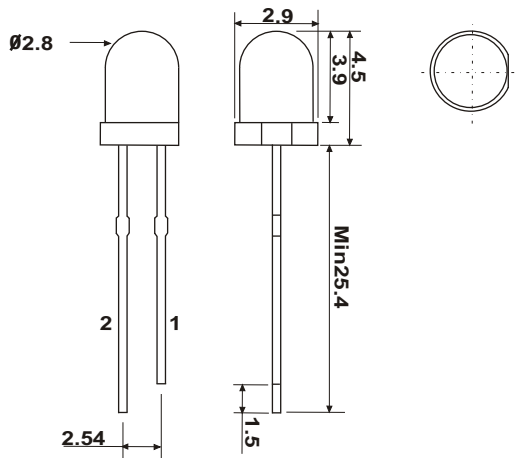


KTL037KDI Green Color



Absolute Maximum Ratings at Ta = 25°C

Parameter	Symbol	Condition	Min.	Typ.	Max.	Unit
Forward Voltage	Vf	If=20mA	1.6		2.3	V
Reverse Voltage	Vr	If=20mA	5.0		5.0	V
Luminous Intensity	Iv	If=20mA		0.5		cd
Wavelength	Dλ	If=20mA		565		nm
LENS Color	Green Diffused	Viewing Angle				60°

