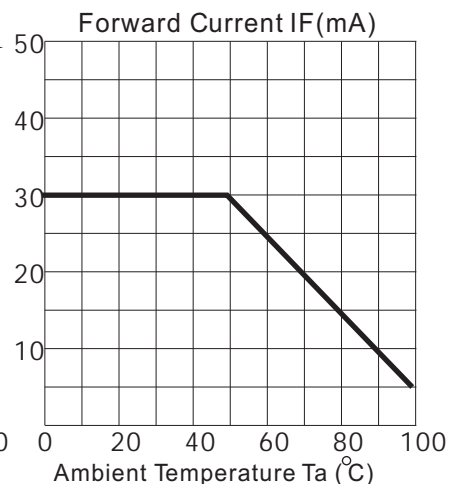
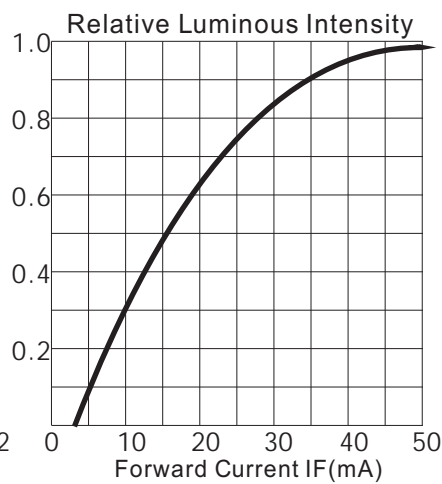
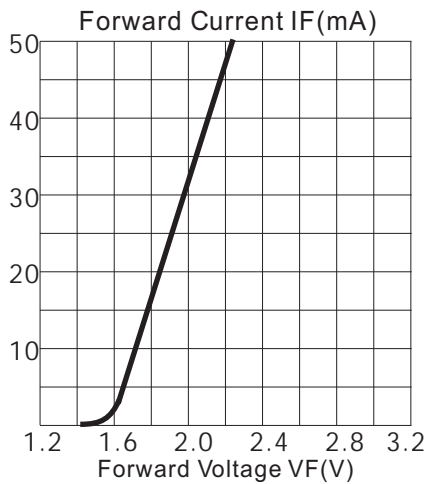
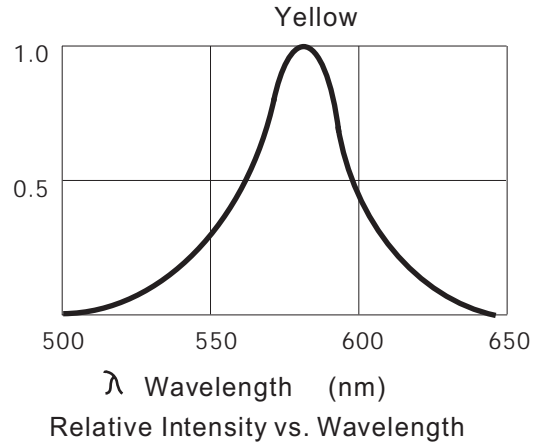
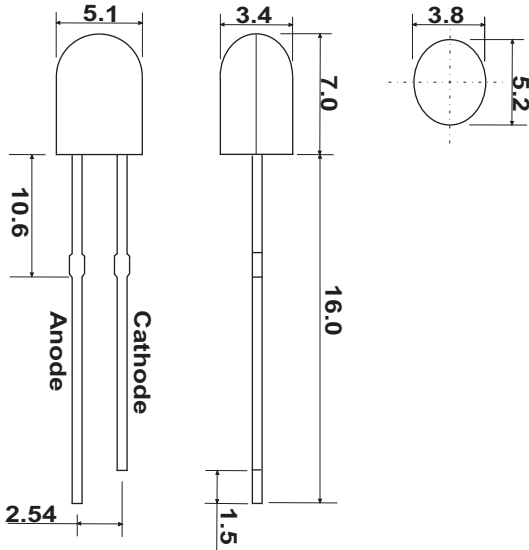


KTL0500IDI-O



Absolute Maximum Ratings at Ta = 25°C

Parameter	Symbol	Condition	Min.	Typ.	Max.	Unit
Forward Voltage	Vf	If=20mA	1.3		2.15	V
Reverse Voltage	Vr	If=20mA	5.0		5.0	V
Luminous Intensity	Iv	If=20mA		0.5		cd
Wavelength	Dλ	If=20mA		589		nm
LENS Colo	Yellow diffused	Viewing Angle 70°/40°				

LED working lifetime 100,000 hrs

