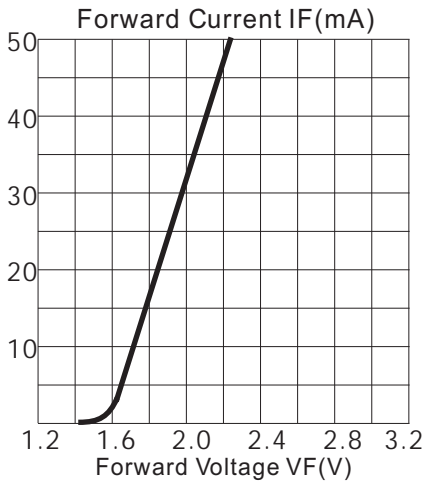
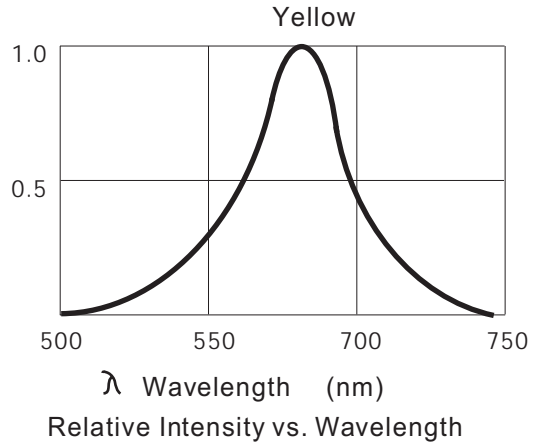
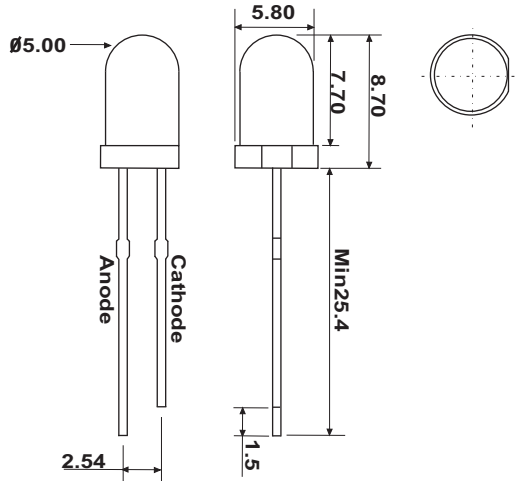
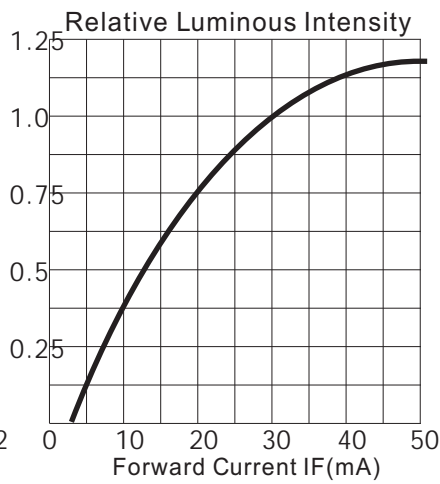


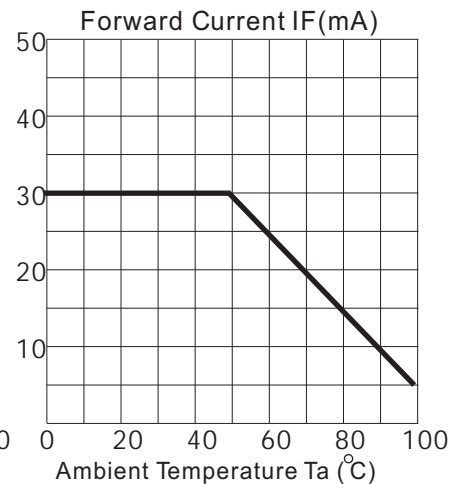
KTL0500IDI Yellow Color



Forward Current VS Forward Voltage.



Relative Luminous Intensity VS. Forward Current



Ambient Temperature Ta (°C)

Absolute Maximum Ratings at Ta = 25°C

Parameter	Symbol	Condition	Min.	Typ.	Max.	Unit
Forward Voltage	Vf	If=20mA	1.3		2.15	V
Reverse Voltage	Vr	If=20mA	5.0		5.0	V
Luminous Intensity	Iv	If=20mA		500		mcd
Wavelength	Dλ	If=20mA		589		nm
LENS Color	Yellow Diffused					

LED working lifetime 100,000 hrs

