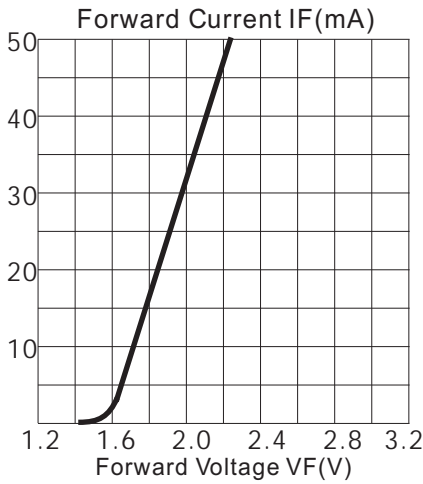
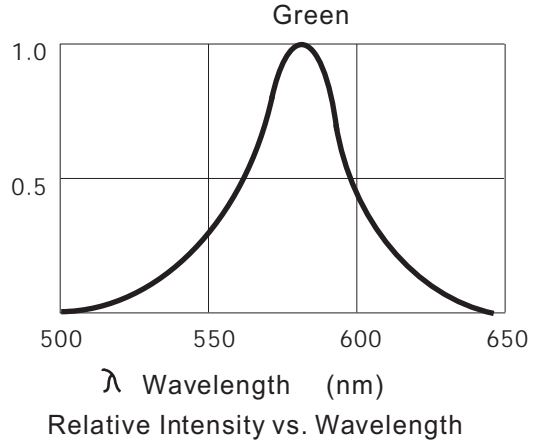
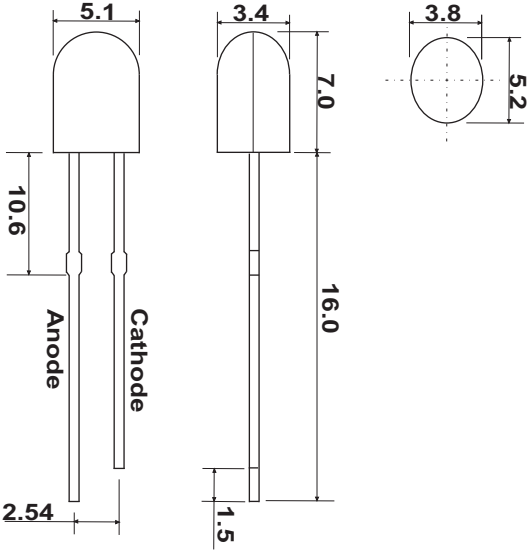
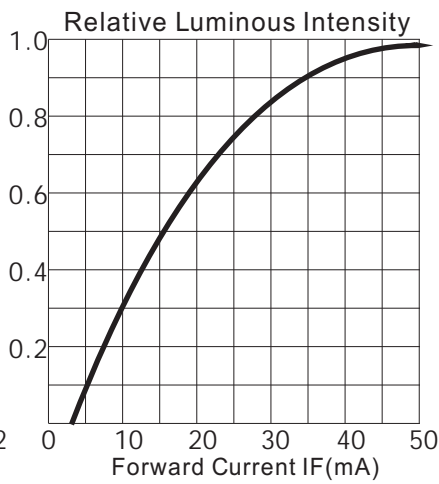


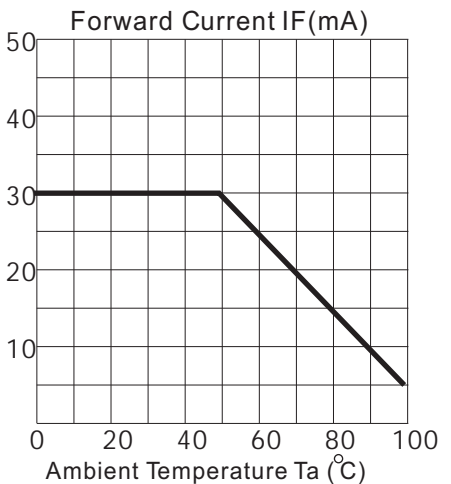
KTL0500JDI-O



Forward Current VS Forward Voltage.



Relative Luminous Intensity VS. Forward Current



Ambient Temperature T_a (°C)

Absolute Maximum Ratings at $T_a = 25^\circ\text{C}$

Parameter	Symbol	Condition	Min.	Typ.	Max.	Unit
Forward Voltage	V_f	$I_f=20\text{mA}$	1.3		2.15	V
Reverse Voltage	V_r	$I_f=20\text{mA}$	5.0		5.0	V
Luminous Intensity	I_v	$I_f=20\text{mA}$		0.5		cd
Wavelength	$D\lambda$	$I_f=20\text{mA}$		568		nm
LENS Colo	Green diffused	Viewing Angle $70^\circ/40^\circ$				

LED working lifetime 100,000 hrs

