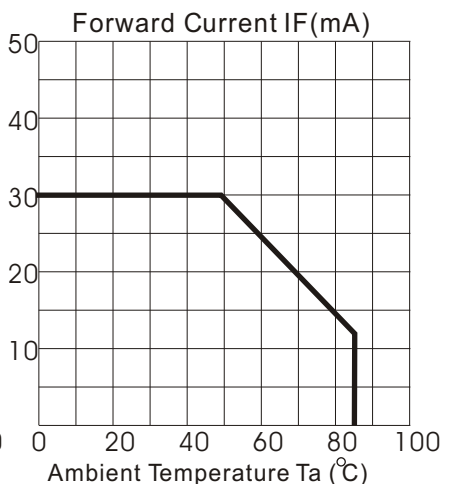
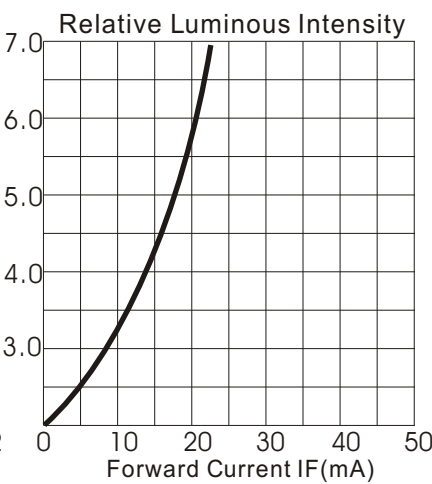
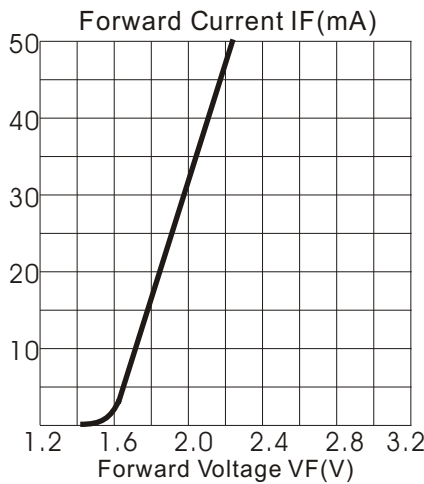
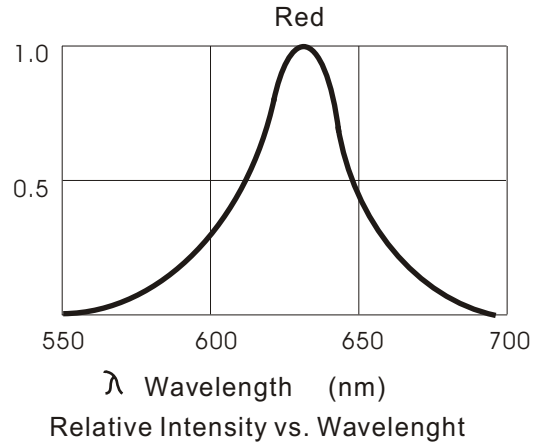
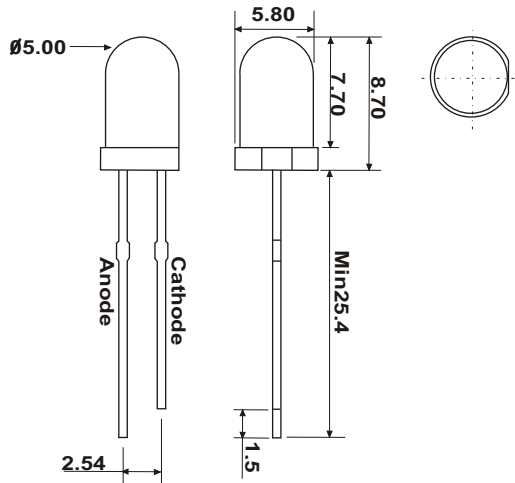


KTL050ACI-U



Absolute Maximum Ratings at Ta = 25°C

Parameter	Symbol	Condition	Min.	Typ.	Max.	Unit
Forward Voltage	Vf	If=20mA	2.15		2.35	V
Reverse Voltage	Vr	If=20mA	5.0		5.0	V
Luminous Intensity	Iv	If=20mA		5.8		cd
Wavelength	Dλ	If=20mA		632		nm
LENS Color	Water Clear			V.A.	25°	Deg.

