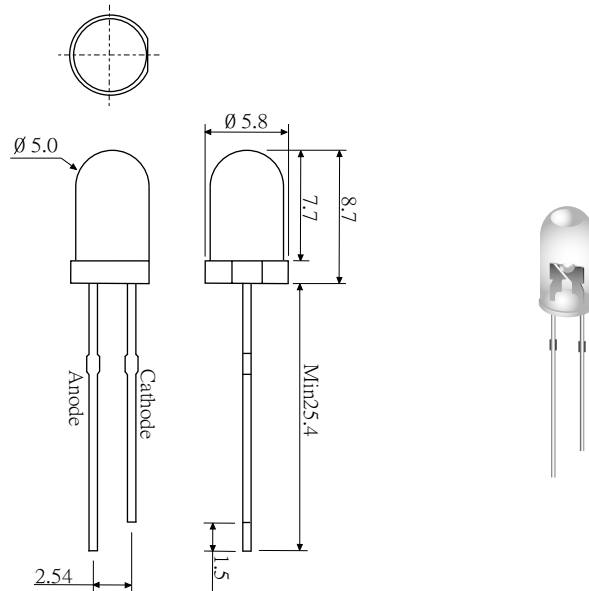


KTL050BLCI-12V



- * 5mm with Blue Dice .+ 12V
- * Encapsulated with Water Clear Package.
- * Long Lead Frame.

Absolute Maximum Ratings:

Parameter	Maximum Rating	Unit
Peak Forward Current	120	mA
Continuous Forward Current	30	mA
Operating Temperature Range	- 20°C to +75°C	
Storage Temperature Range	- 40°C to +100°C	
Lead Soldering Temperature	260°C for 5 seconds	

Electro -Optical Characteristics (Ta=25°C)

Parameter	Test Condition	Symbol	Min.	Typ.	Max.	Unit
Forward Voltage	If=20mA	Vf		12V		V
Reverse Current	Vr=5V	Ir			10	μA
Luminous Intensity	If=20mA	Iv	500		2000	mcd
Spectral Bandwidth	If=20mA	Δλ		35		nm
Wavelength	If=20mA	λp				nm
		λd		464	470	nm
Half View Angle	If=20mA	2Θ1/2		30		deg