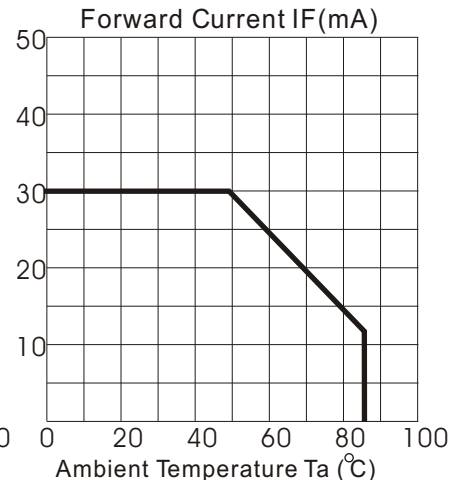
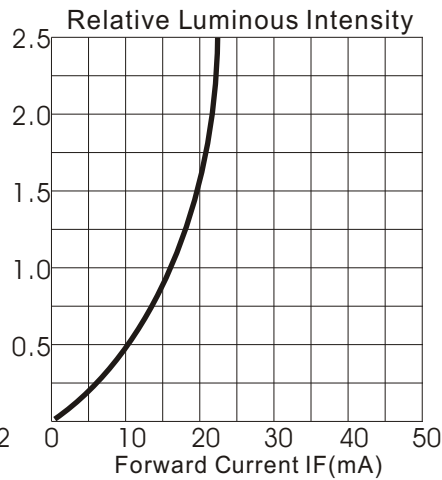
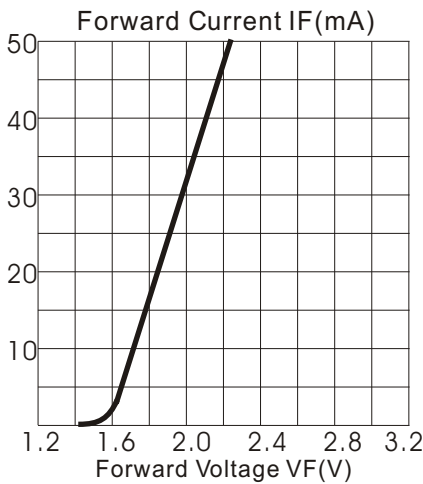
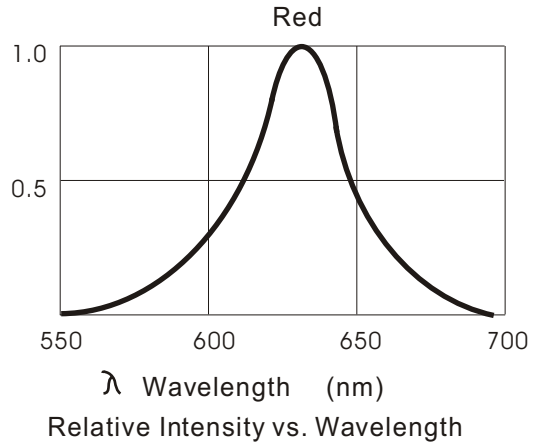
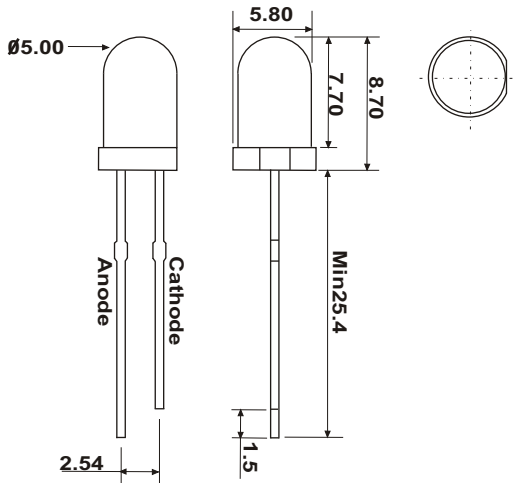


KTL050CCI



Absolute Maximum Ratings at Ta = 25°C

Parameter	Symbol	Condition	Min.	Typ.	Max.	Unit
Forward Voltage	Vf	If=20mA	1.3		2.15	V
Reverse Voltage	Vr	If=20mA	5.0		5.0	V
Luminous Intensity	Iv	If=20mA		1.5		cd
Wavelength	Dλ	If=20mA		632		nm
LENS Color	Water Clear			V.A.	25°	Deg.

