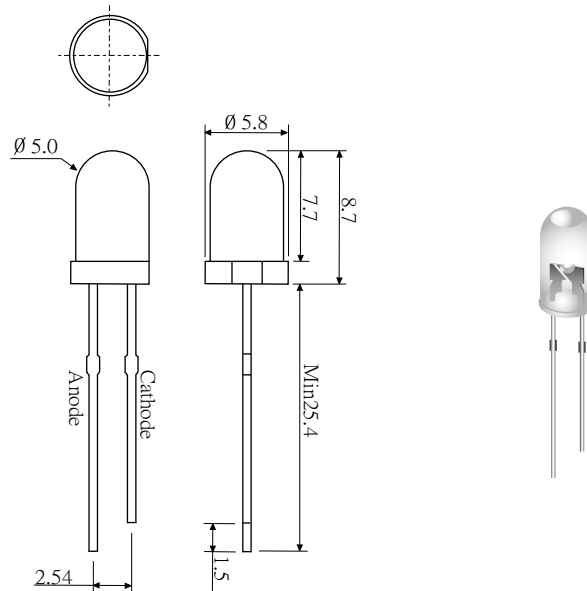


KTL050IDI-12V



- * 5mm with Yellow Dice .+ 12V
- * Encapsulated with Yellow diffused Package.
- * Long Lead Frame.

Absolute Maximum Ratings:

Parameter	Maximum Rating	Unit
Peak forward Current	120	mA
Continuous forward Current	30	mA
Operating Temperature Range	-20 °C to +75 °C	
Storage Temperature Range	-40 °C to +100 °C	
Lead Soldering Temperature	260 °C for 5 seconds	

Electro - Optical Characteristics (Ta=25 °C)

Parameter	Test Condition	Symbol	Min.	Typ.	Max.	Unit
Forward Voltage	If=70mA	Vf		12		V
Reverse Current	Vr=5V	Vr			100	uA
Luminous Intensity	If=20mA	Iv		1000	1200	mcd
Spectral Bandwidth	If=5mA	$\Delta\lambda$		30		nm
Wavelength	If=20mA	λ_d		575		nm
Half View Angle	If=20mA	$\theta_{1/2}$		30		deg