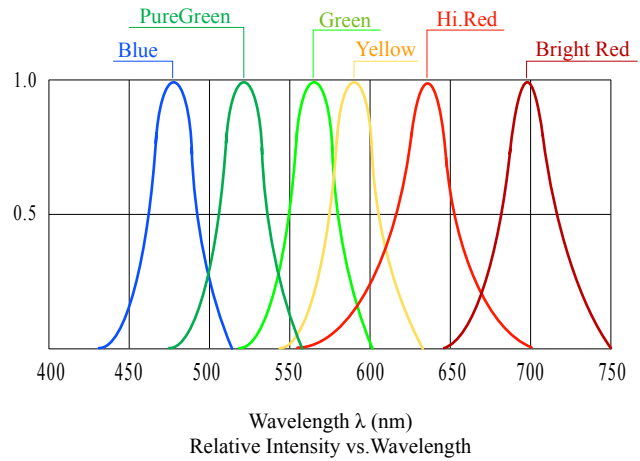
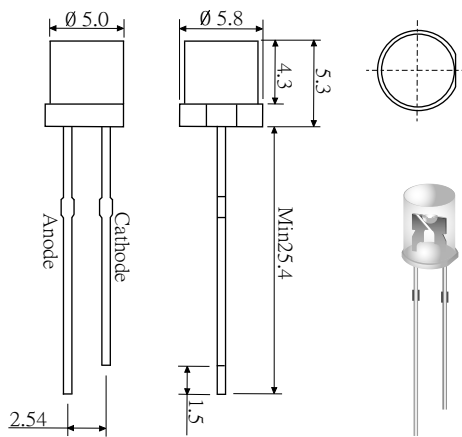


KTL052



Part no.	Colour	Wave Length	Lens Color (x)	Luminous Intensity (mcd)	Forward Voltage (V)	Forward Current (mA)	0°
KTL052DxI	Red	660		500	2.15	20	90
KTL052CxI	Red	660		1500	2.15	20	90
KTL052AxI-S	Red	623		2500	2.15	20	90
KTL052AxI-U	Red	660		5800	2.15	20	90
KTL052AxI-T	Red	623		7800	2.15	20	90
KTL052KxI	Green	568		500	2.15	20	90
KTL052JxI	Green	568		1500	2.15	20	90
KTL052JxI-S	Green	568		2500	2.15	20	90
KTL052JxI-U	Green	568		6000	2.30	20	90
KTL052IxI	Yellow	589		1300	2.15	20	90
KTL052IxI-S	Yellow	589		2500	2.15	20	90
KTL052IxI-U	Yellow	589		4500	2.15	20	90
KTL052IxI-T	Yellow	589	W - White	7500	2.15	20	90
KTL052FxI	Orange	605	D - Diffused	1500	2.30	20	90
KTL052FxI-S	Orange	605	C - Water Clear	2500	2.30	20	90
KTL052FxI-U	Orange	605	T - Transparent	3500	2.30	20	90
KTL052BGxI	Blue / Green	510		3500	3.60	20	90
KTL052BGxI-U	Blue / Green	510		6500	3.60	20	90
KTL052BLxI	Blue	470		500	3.60	20	90
KTL052BHxI	Blue	470		1600	3.60	20	90
KTL052BUxI	Blue	470		3500	3.60	20	90
KTL052PGxI	Pure Green	525		2500	3.60	20	90
KTL052PGxI-S	Pure Green	525		4000	3.60	20	90
KTL052PGxI-U	Pure Green	525		5500	3.60	20	90
KTL052PGxI-T	Pure Green	525		7500	3.60	20	90
KTL052WHxI	White	----		1300	3.60	20	90
KTL052WUxI	White	----		5200	3.60	20	90