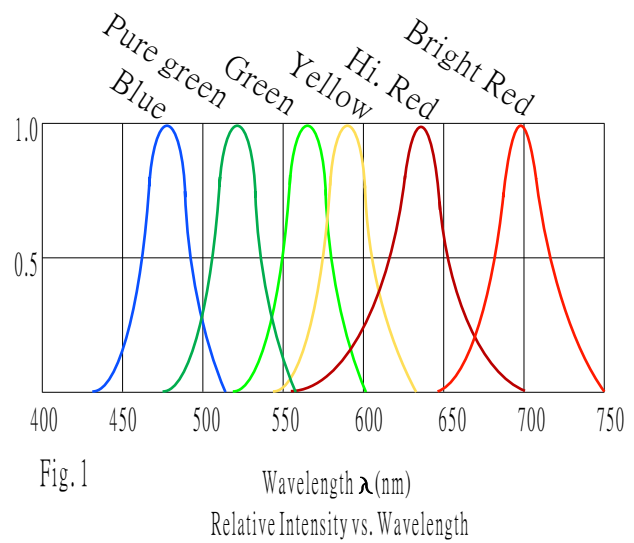
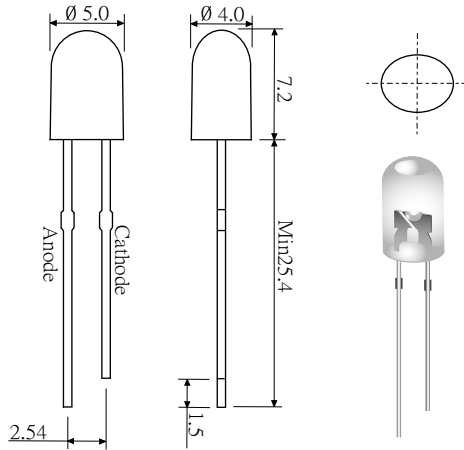


### KTL056



Part no.	Colour	Wave Length	Lens Color (x)	Luminous Intensity (mcd)	Forward Voltage (V)	Forward Current (mA)	0°
KTL056DxI	Red	660		500	2.15	20	40° / 70°
KTL056CxI	Red	660		1500	2.15	20	40° / 70°
KTL056AxI-S	Red	623		2500	2.15	20	40° / 70°
KTL056AxI-U	Red	655		5800	2.15	20	40° / 70°
KTL056AxI-T	Red	623		7800	2.15	20	40° / 70°
KTL056KxI	Green	565		500	2.15	20	40° / 70°
KTL056JxI	Green	565		1500	2.15	20	40° / 70°
KTL056JxI-S	Green	565		2500	2.15	20	40° / 70°
KTL056JxI-U	Green	565		6000	3.60	20	40° / 70°
KTL056IxI	Yellow	589		1300	2.15	20	40° / 70°
KTL056IxI-S	Yellow	589		2500	2.15	20	40° / 70°
KTL056IxI-U	Yellow	589		4500	2.15	20	40° / 70°
KTL056IxI-T	Yellow	589	W - White	7500	2.15	20	40° / 70°
KTL056FxI	Orange	621	D - Diffused	1500	2.30	20	40° / 70°
KTL056FxI-S	Orange	621	C - Water Clear	2500	2.30	20	40° / 70°
KTL056FxI-U	Orange	621	T - Transparent	3500	2.30	20	40° / 70°
KTL056BGxI	Blue / Green	503		3500	3.60	20	40° / 70°
KTL056BGxI-U	Blue / Green	503		6500	3.60	20	40° / 70°
KTL056BLxI	Blue	470		500	3.60	20	40° / 70°
KTL056BHxI	Blue	470		1600	3.60	20	40° / 70°
KTL056BUxI	Blue	470		3500	3.60	20	40° / 70°
KTL056PGxI	Pure Green	525		2500	3.60	20	40° / 70°
KTL056PGxI-S	Pure Green	525		4000	3.60	20	40° / 70°
KTL056PGxI-U	Pure Green	525		5500	3.60	20	40° / 70°
KTL056PGxI-T	Pure Green	525		7500	3.60	20	40° / 70°
KTL056WHxI	White	589		1300	3.60	20	40° / 70°
KTL056WUxI	White	----		5200	3.60	20	40° / 70°