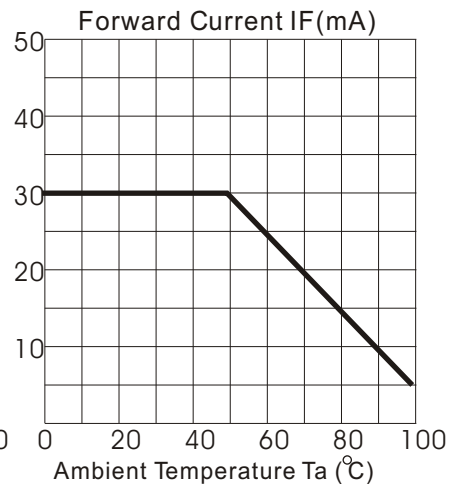
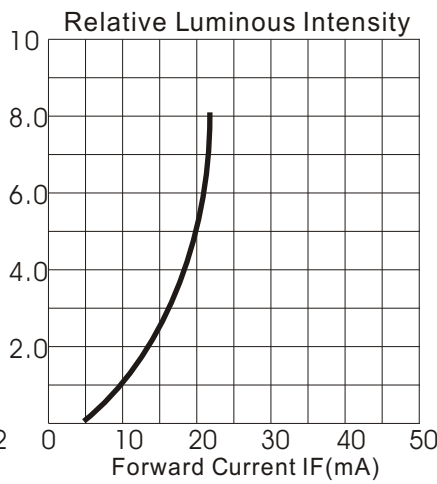
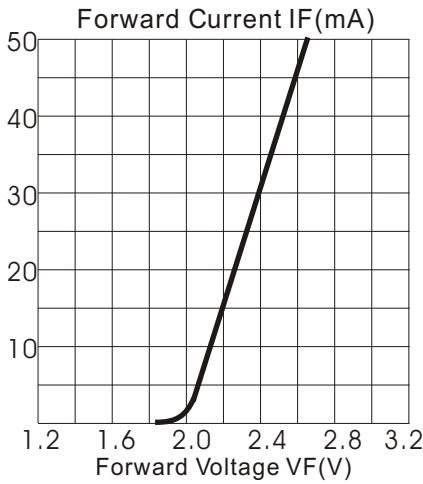
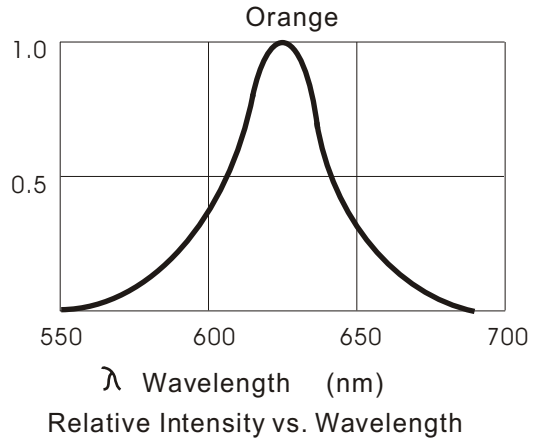
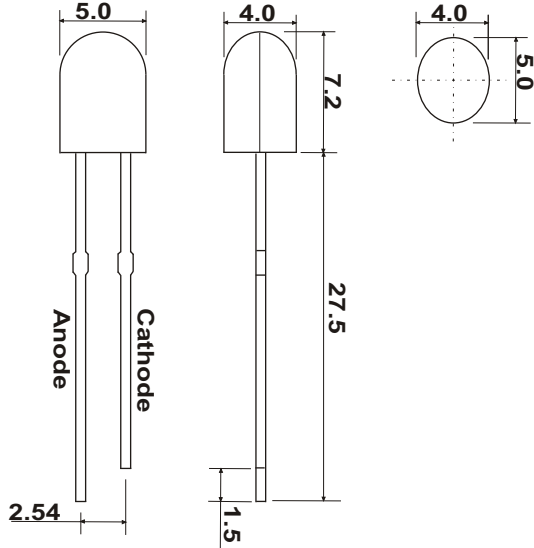


KTL056FCI-T



Absolute Maximum Ratings at Ta = 25°C

Parameter	Symbol	Condition	Min.	Typ.	Max.	Unit	
Forward Voltage	Vf	If=20mA	2.25		2.6	V	
Reverse Voltage	Vr	If=20mA	5.0		5.0	V	
Luminous Intensity	Iv	If=20mA		5000		mcd	
Wavelength	Dλ	If=20mA		632		nm	
LENS Color	Water Clear	Viewing Angle 110°/45°					

