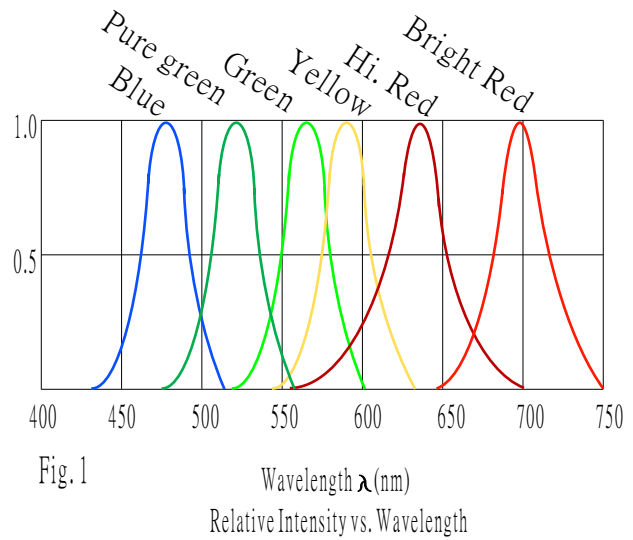
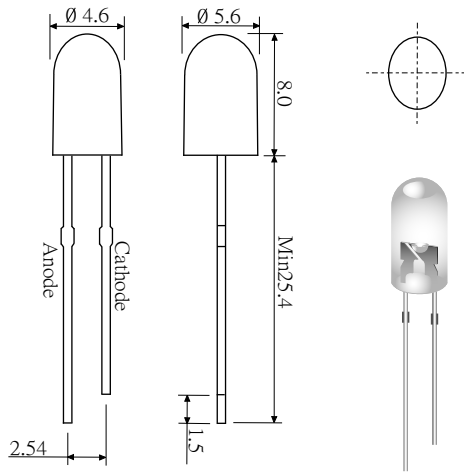


KTL057



Part no.	Colour	Wave Length	Lens Color (x)	Luminous Intensity (mcd)	Forward Voltage (V)	Forward Current (mA)	0°
KTL057DxI	Red	660		500	2.15	20	70° / 110°
KTL057CxI	Red	660		1500	2.15	20	70° / 110°
KTL057AxI-S	Red	623		2500	2.15	20	70° / 110°
KTL057AxI-U	Red	655		5800	2.15	20	70° / 110°
KTL057AxI-T	Red	623		7800	2.15	20	70° / 110°
KTL057KxI	Green	565		500	2.15	20	70° / 110°
KTL057JxI	Green	565		1500	2.15	20	70° / 110°
KTL057JxI-S	Green	565		2500	2.15	20	70° / 110°
KTL057JxI-U	Green	565		6000	3.60	20	70° / 110°
KTL057IxI	Yellow	589		1300	2.15	20	70° / 110°
KTL057IxI-S	Yellow	589		2500	2.15	20	70° / 110°
KTL057IxI-U	Yellow	589		4500	2.15	20	70° / 110°
KTL057IxI-T	Yellow	589	W - White	7500	2.15	20	70° / 110°
KTL057FxI	Orange	621	D - Diffused	1500	2.30	20	70° / 110°
KTL057FxI-S	Orange	621	C - Water Clear	2500	2.30	20	70° / 110°
KTL057FxI-U	Orange	621	T - Transparent	3500	2.30	20	70° / 110°
KTL057BGxI	Blue / Green	503		3500	3.60	20	70° / 110°
KTL057BGxI-U	Blue / Green	503		6500	3.60	20	70° / 110°
KTL057BLxI	Blue	470		500	3.60	20	70° / 110°
KTL057BHxI	Blue	470		1600	3.60	20	70° / 110°
KTL057BUxI	Blue	470		3500	3.60	20	70° / 110°
KTL057PGxI	Pure Green	525		2500	3.60	20	70° / 110°
KTL057PGxI-S	Pure Green	525		4000	3.60	20	70° / 110°
KTL057PGxI-U	Pure Green	525		5500	3.60	20	70° / 110°
KTL057PGxI-T	Pure Green	525		7500	3.60	20	70° / 110°
KTL057WHxI	White	589		1300	3.60	20	70° / 110°
KTL057WUxI	White	----		5200	3.60	20	70° / 110°