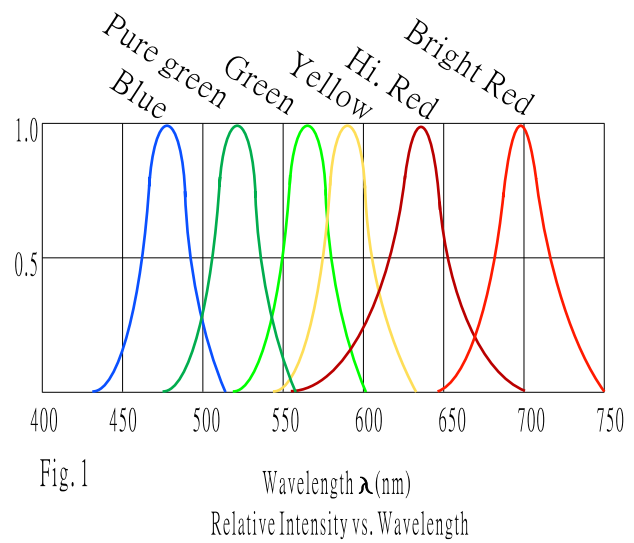
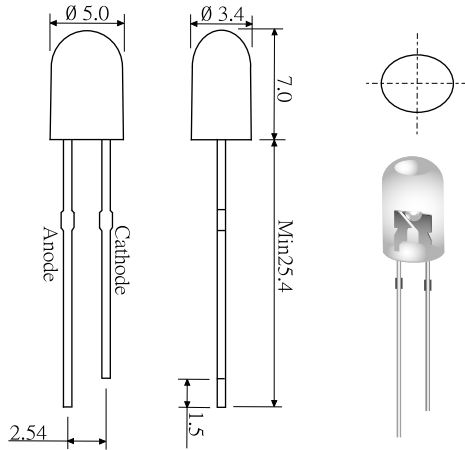


KTL05S



| Part no. | Colour | Wave Length | Lens Color (x) | Luminous Intensity (mcd) | Forward Voltage (V) | Forward Current (mA) | 0° |
|--------------|--------------|-------------|-----------------|--------------------------|---------------------|----------------------|------------|
| KTL05SDxI | Red | 660 | | 500 | 2.15 | 20 | 110° / 45° |
| KTL05SCxI | Red | 660 | | 1500 | 2.15 | 20 | 110° / 45° |
| KTL05SAxI-S | Red | 623 | | 2500 | 2.15 | 20 | 110° / 45° |
| KTL05SAxI-U | Red | 660 | | 5800 | 2.15 | 20 | 110° / 45° |
| KTL05SAxI-T | Red | 623 | | 7800 | 2.15 | 20 | 110° / 45° |
| KTL05SKxI | Green | 568 | | 500 | 2.15 | 20 | 110° / 45° |
| KTL05SJxI | Green | 568 | | 1500 | 2.15 | 20 | 110° / 45° |
| KTL05SJxI-S | Green | 568 | | 2500 | 2.15 | 20 | 110° / 45° |
| KTL05SJxI-U | Green | 568 | | 6000 | 2.30 | 20 | 110° / 45° |
| KTL05SIxI | Yellow | 589 | | 1300 | 2.15 | 20 | 110° / 45° |
| KTL05SIxI-S | Yellow | 589 | | 2500 | 2.15 | 20 | 110° / 45° |
| KTL05SIxI-U | Yellow | 589 | | 4500 | 2.15 | 20 | 110° / 45° |
| KTL05SIxI-T | Yellow | 589 | W - White | 7500 | 2.15 | 20 | 110° / 45° |
| KTL05SFxI | Orange | 605 | D - Diffused | 1500 | 2.30 | 20 | 110° / 45° |
| KTL05SFxI-S | Orange | 605 | C - Water Clear | 2500 | 2.30 | 20 | 110° / 45° |
| KTL05SFxI-U | Orange | 605 | T - Transparent | 3500 | 2.30 | 20 | 110° / 45° |
| KTL05SBGxI | Blue / Green | 510 | | 3500 | 3.60 | 20 | 110° / 45° |
| KTL05SBGxI-U | Blue / Green | 510 | | 6500 | 3.60 | 20 | 110° / 45° |
| KTL05SBLxI | Blue | 470 | | 500 | 3.60 | 20 | 110° / 45° |
| KTL05SBHxI | Blue | 470 | | 1600 | 3.60 | 20 | 110° / 45° |
| KTL05SBUxI | Blue | 470 | | 3500 | 3.60 | 20 | 110° / 45° |
| KTL05SPGxI | Pure Green | 525 | | 2500 | 3.60 | 20 | 110° / 45° |
| KTL05SPGxI-S | Pure Green | 525 | | 4000 | 3.60 | 20 | 110° / 45° |
| KTL05SPGxI-U | Pure Green | 525 | | 5500 | 3.60 | 20 | 110° / 45° |
| KTL05SPGxI-T | Pure Green | 525 | | 7500 | 3.60 | 20 | 110° / 45° |
| KTL05SWHxI | White | 589 | | 1300 | 3.60 | 20 | 110° / 45° |
| KTL05SWUxI | White | ---- | | 5200 | 3.60 | 20 | 110° / 45° |