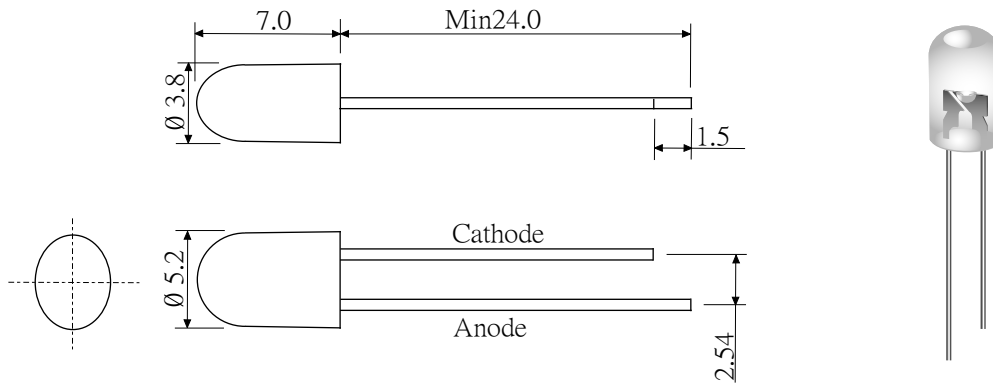


KTL05SFTI-T



5mm Oval with Yellow Dice.
Encapsulated with Yellow Transparent Package.
Long Leads.

Absolute Maximum Ratings:

Parameter	Maximum Rating	Unit
Peak Forward Current	120	mA
Continuous Forward Current	30	mA
Operating Temperature Range	-20 °C to 75°C	
Storage Temperature Range	-40 °C to 100°C	
Lead Soldering Temperature	260°C for 5 seconds	

Electro-Optical Characteristics (Ta=25°C)

Parameter Radiant	Test Condition	Symbol	Min	Typ	Max	Unit
Forward Voltage	If=20mA	Vf		2.0	2.4	V
Reverse Current	Vr=5V	Ir			10	uA
Luminous Intensity	If=20mA	Iv		1300		mcd
Spectral Bandwidth	If=20mA	$\Delta\lambda$				nm
Wavelength	If=20mA	λ_p		610		nm
		λ_d		605		nm
Half View Angle	If=20mA	2 Θ 1/2	40°/ 110°			deg