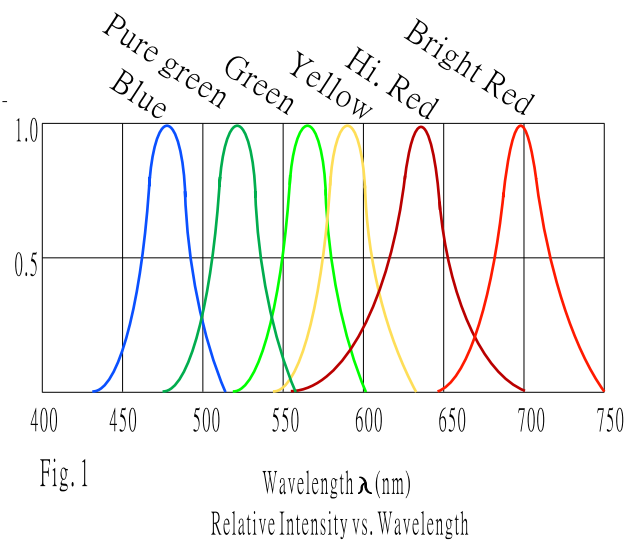
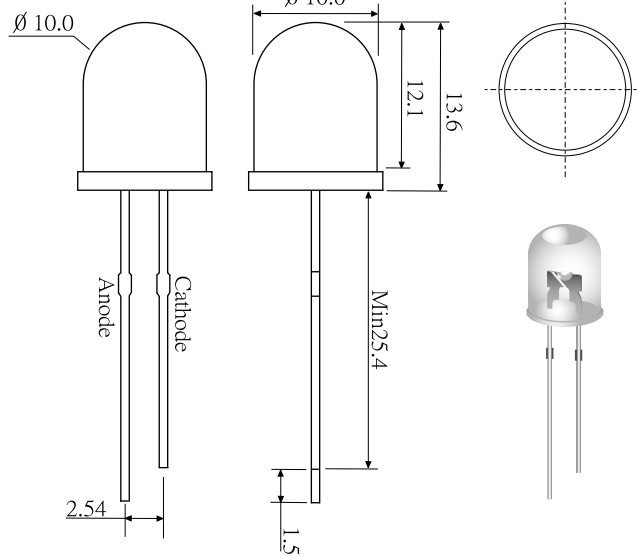


KTL100



Part no.	Colour	Wave Length	Lens Color (x)	Luminous Intensity (mcd)	Forward Voltage ( V )	Forward Current ( mA )	0°
KTL100DxI	Red	660		500	2.15	20	30
KTL100CxI	Red	660		1500	2.15	20	30
KTL100AxI-S	Red	623		2500	2.15	20	30
KTL100AxI-U	Red	660		5800	2.15	20	30
KTL100AxI-T	Red	623		7800	2.15	20	30
KTL100KxI	Green	568		500	2.15	20	30
KTL100JxI	Green	568		1500	2.15	20	30
KTL100JxI-S	Green	568		2500	2.15	20	30
KTL100JxI-U	Green	568		6000	2.30	20	30
KTL100IxI	Yellow	589		1300	2.15	20	30
KTL100IxI-S	Yellow	589		2500	2.15	20	30
KTL100IxI-U	Yellow	589		4500	2.15	20	30
KTL100IxI-T	Yellow	589	W - White	7500	2.15	20	30
KTL100FxI	Orange	605	D - Diffused	1500	2.30	20	30
KTL100FxI-S	Orange	605	C - Water Clear	2500	2.30	20	30
KTL100FxI-U	Orange	605	T - Transparent	3500	2.30	20	30
KTL100BGxI	Blue / Green	510		3500	3.60	20	30
KTL100BGxI-U	Blue / Green	510		6500	3.60	20	30
KTL100BLxI	Blue	470		500	3.60	20	30
KTL100BHxI	Blue	470		1600	3.60	20	30
KTL100BUxI	Blue	470		3500	3.60	20	30
KTL100PGxI	Pure Green	525		2500	3.60	20	30
KTL100PGxI-S	Pure Green	525		4000	3.60	20	30
KTL100PGxI-U	Pure Green	525		5500	3.60	20	30
KTL100PGxI-T	Pure Green	525		7500	3.60	20	30
KTL100WHxI	White	589		1300	3.60	20	30
KTL100WUxI	White	----		5200	3.60	20	30