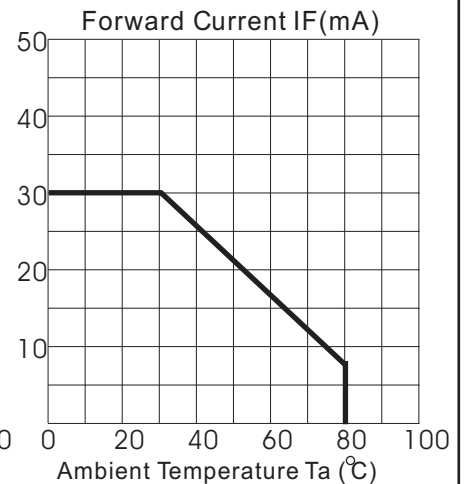
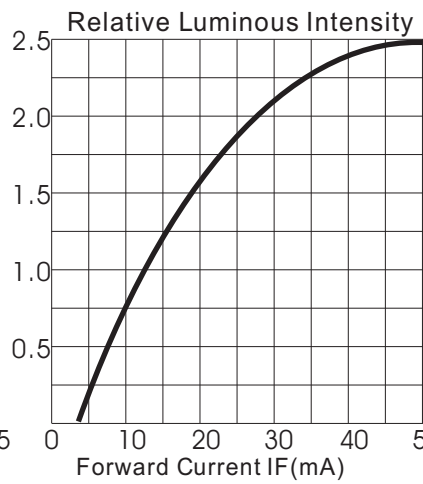
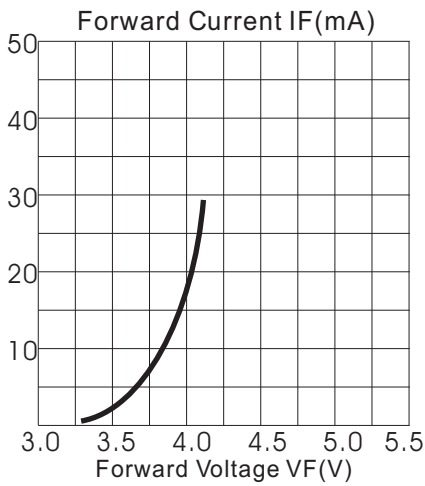
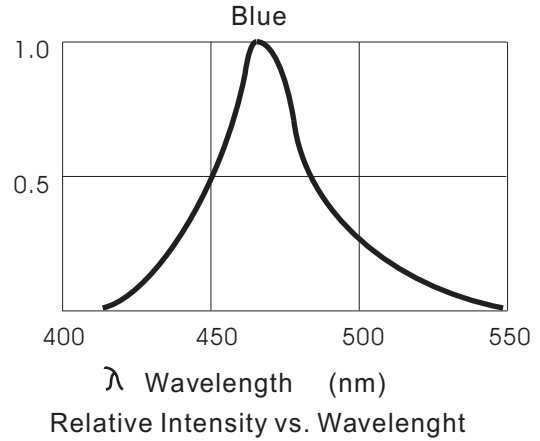
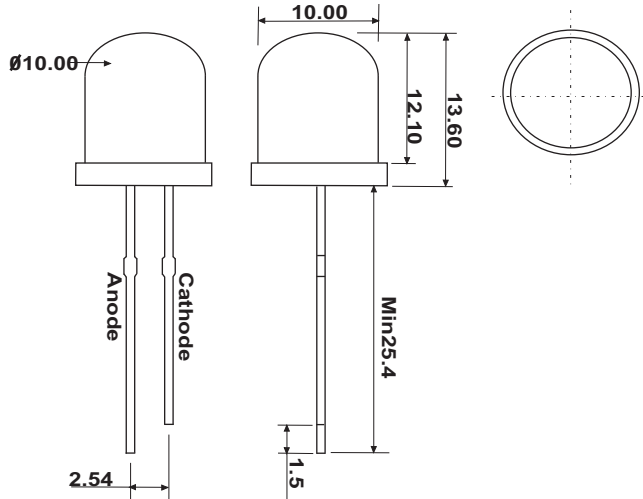
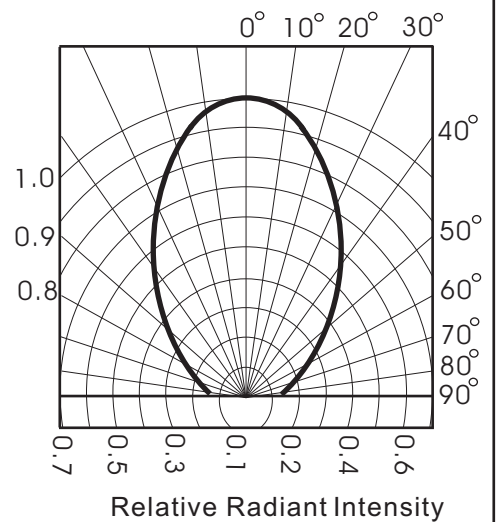


KTL1000BHDI Blue Color



Absolute Maximum Ratings at Ta = 25°C

Parameter	Symbol	Condition	Min.	Typ.	Max.	Unit
Forward Voltage	Vf	If=20mA	3.6		4.0	V
Reverse Voltage	Vr	If=20mA	5.0		5.0	V
Luminous Intensity	Iv	If=20mA		1.6		cd
Wavelength	Dλ	If=20mA		470		nm
LENS Color	Blue Diffused					



LED working lifetime 100,000 hrs