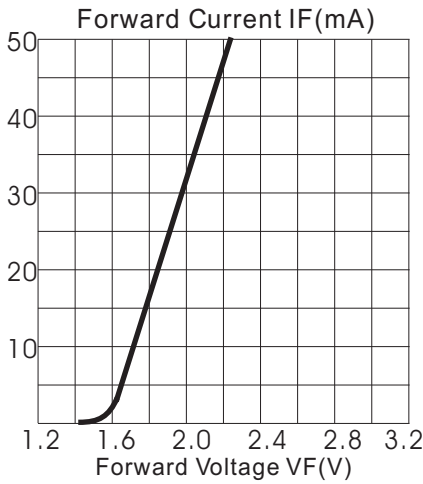
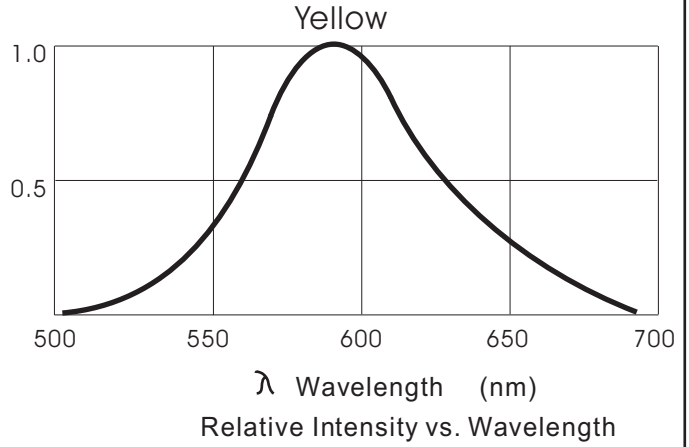
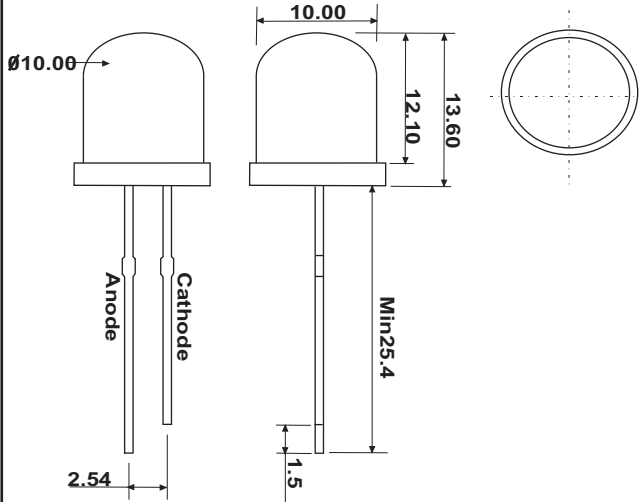
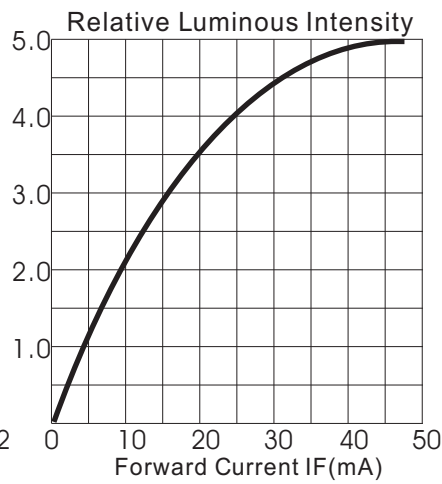


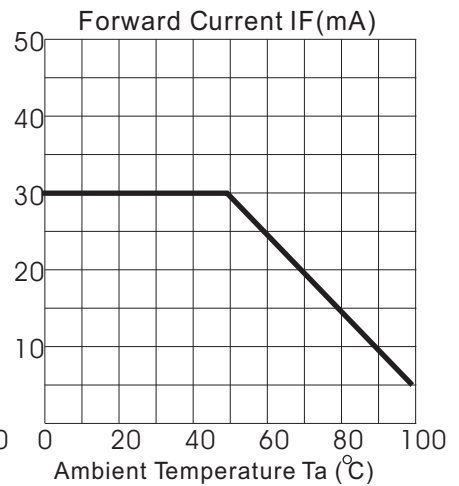
### KTL100IDI-U Yellow colour



Forward Current VS Forward Voltage.



Relative Luminous Intensity VS. Forward Current



Ambient Temperature  $T_a$  (°C)

#### Absolute Maximum Ratings at $T_a = 25^\circ\text{C}$

Parameter	Symbol	Condition	Min.	Typ.	Max.	Unit
Forward Voltage	$V_f$	$I_f=20\text{mA}$	2.1		2.35	V
Reverse Voltage	$V_r$	$I_f=20\text{mA}$	5.0		5.0	V
Luminous Intensity	$I_v$	$I_f=20\text{mA}$		3.5		cd
Wavelength	$D\lambda$	$I_f=20\text{mA}$		589		nm
LENS Color	Yellow Diffused					

LED working lifetime 100,000 hrs

